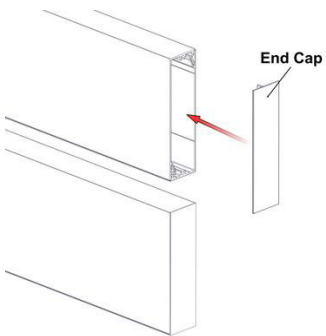


# INTREPID CEILING SYSTEM

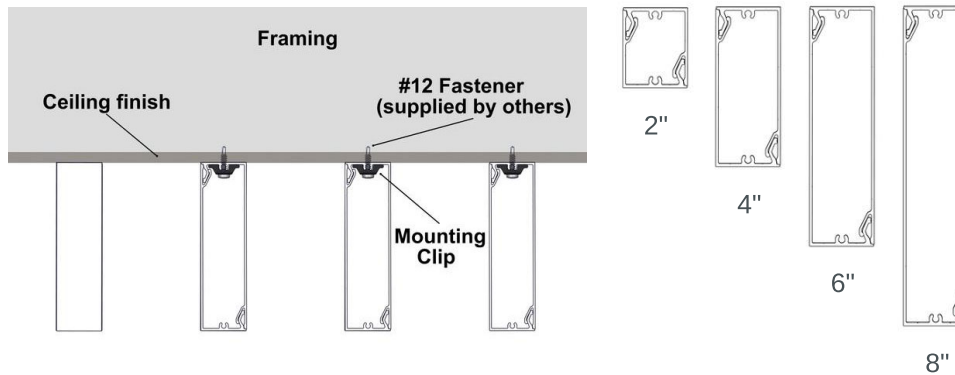
MAR 2022



## TYPICAL ISOMETRICS



## TYPICAL SECTIONS



## PROFILES

1-5/8" X 2", 4", 6", 8"  
Standard lengths: 24'

## COMPONENTS

End Caps

## ATTACHMENT

Fasten w. #12 screws\* @ 6' o.c.  
using mounting clips. (\*Not included)  
△ See install guide for details.

## FINISHES

Woodgrains, solid colors, naturally aged metals, special order. Custom solid color matching available (additional lead times apply).

## LEAD TIME

3-4 weeks (subject to change).

## BIM & CAD

RVT & DWG files available, see our website for details.

## TECHNICAL SPECIFICATIONS

### PHYSICAL DATA

6063-T5 Extruded Aluminum  
100% Recyclable  
Warranty: Finish: 15 year (standard)/20 year\* (ultra) (\*10 week lead time);  
Aluminum: 50 year  
Weight (lbs/lf): 0.93 (2"); 1.3 (4"); 1.5 (6"); 1.9 (8")

### TESTING

ICC-ES Evaluation Report - Division: 05 00 00 - METALS  
• Section: 05 50 00 - Metal Fabrications  
CAN/ULC S102  
CAN/ULC S114

LARR - Los Angeles Department of Building Safety (LADBS) accepts ICC-ES reports as proof of compliance

Florida Product Code: FL20075

WUI (The Wildland-Urban Interface) – California Department of Forestry & Fire Protection Office of the State Fire Marshal Listing No. 8140-2286:0500



**Fire Rating:** Class A Non-Combustible by ASTM E136 & ASTM E84



**Acoustical Rating with insulation:** NRC up to 0.80



**Light reflectance (LRV):** Up to 73.2% (Ultra White)



[info@longboardproducts.com](mailto:info@longboardproducts.com)  
[longboardproducts.com](http://longboardproducts.com)  
800 604 0343