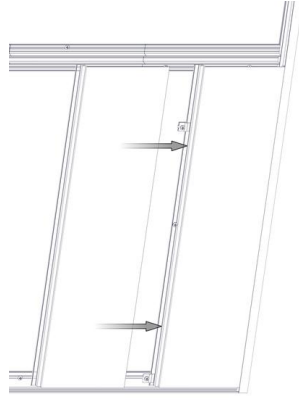


# PANELBOARD INTERIOR WALL SYSTEM

## TYPICAL ISOMETRIC



## PROFILES

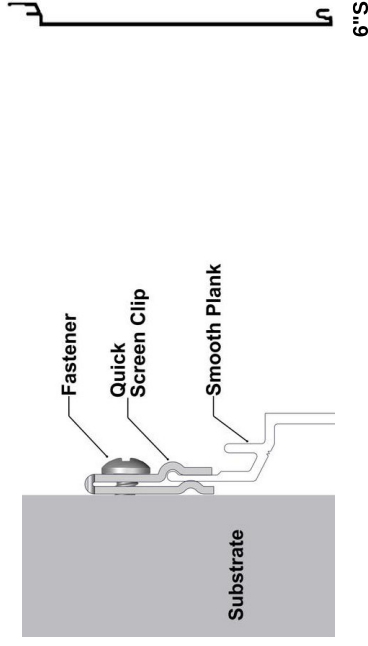
Smooth: 6"  
Standard Lengths: 24'  
96 SQ FT/box

## COMPONENTS - Standard Lengths: 12'

**Traditional:** 2" Corner Set, 1-3/8" Two Piece J-Track, 1-3/8" Termination Set, Compression Joint (24'), 1-1/2" Flat Reveal Set, 1-1/2" U-Reveal Set, 1-1/2" T&G U-Reveal

**Craftsman:** 3/4" Inside Corner, 1" Outside Corner, 3/4" U-Reveal Set, 3/4" T&G U-Reveal

**Precision:** 5/8" Starter J-Track, 3/16" Outside Corner, 5/8" J-Track, 5/8" Two Piece J-Track, 5/8" Termination Set, 1/2" Flat Reveal, 1/2" T&G Flat Reveal



## FINISHES

Woodgrains, solid color, naturally aged metal, custom solid colour matching (additional lead times apply)

## ATTACHMENT

Planks: Quick-screen clips w. #8 screws\* @ 32" o.c. (standard).  
Quick-screen clips included: 135 pcs/4" box, 90 pcs/6" box.  
Trims: hard fasten w. #8 screws\* @ 16" o.c. \*Screws not included.

## BIM & CAD

RVT & DWG files available, see website for details

## LEAD TIME

3-6 business days + shipping (subject to change)



[info@longboardproducts.com](mailto:info@longboardproducts.com)

[longboardproducts.com](http://longboardproducts.com)

800 604 0343

## TECHNICAL SPECIFICATIONS

### PHYSICAL DATA

6063-T5 Extruded Aluminum

100% Recyclable

Warranty: Finish: 15 year (standard)/20 year\* (Ultra) (\*10 week lead time);

Aluminum: 50 year

Weight (lbs/sqft): ~1.5


### TESTING


ICC-ES Evaluation Report

LARR - Los Angeles Department of Building Safety (LADBS) accepts ICC-ES reports as proof of compliance

Florida Product Code: FL20075

Impact testing: TAS 201

 **Fire Rating:** Class A Non-Combustible by ASTM E136 & ASTM E84 ; A2-S1.00 by EN 13501-1

 **Light Reflectance:** 5% (Black) up to 73.2% (Ultra White)



**LONGBOARD®**  
ARCHITECTURAL PRODUCTS

Interior

# Panelboard Walls

Installation Guidelines



# Table of Contents

<b>Material Specifications</b>	<b>3</b>
Finishes	3
Expansion and contraction	3
Material ordering and deliveries	3
Storage and handling	4
Cleaning	4
Warranty	4
<b>Components</b>	<b>5</b>
Components (Typical)	5
<b>Tools/Cutting/Fastening</b>	<b>6</b>
Tools	6
Cutting	6
Fastening	7
Fastener types	7
Framing requirements	7
<b>System Install</b>	<b>8</b>
Perimeter and field area limitations	8
Component Layout	9
Corners	9
J-Track	9
Starter J-Track	9
U-Reveal Set	10
T&G U-Reveal	10
Termination Set	10
Install Steps	11-17
Details	18
Butt-Joints	18-19
Floor elevations	20
<b>Appendix</b>	<b>21</b>
Tables - Expansion & contraction	21
Tables - Quick Screen clip/wind load	22
Handling and care of products	23
Contact Info	24

## Material Specifications

### Finishes

- Longboard Products are available in a wide range of woodgrains and solid colors
- Custom solid colors are available upon request
- Longboard woodgrains have a repeat pattern, shipped in sets mated back-to-back in each box. Install these as they come out of the box, as an A&B pattern (need to assess onsite), staggering each plank approx. 1-2' (305-610mm) from the previous plank to achieve a random pattern aesthetic.
- Longboard Products are not recommended for use on marine applications in direct contact with salt water.

All Longboard Products are produced 1" (25mm) oversized, as one end is drilled for the coating process, and both ends have 1/2" (12mm) of masking tape (woodgrains only) which must be cut off for best results.

Longboard Cladding is to be installed outboard of a weather resistant barrier, including all flashings, following code, and building requirements.

### Expansion & Contraction

Planks & components expand & contract 1/4" (6mm) over 24' (7.3m) in all directions, measured over a 30°C (54°F) temperature range. Due to this range of movement, the following expansion components should be installed parallel and perpendicular every:

#### Horizontal Install

- 24' (7.3m) max<sup>1 2</sup> Perpendicular to Planks: Traditional U-Reveal Set  
Parallel to Planks (at each floor elevation): Compression Joint

#### Vertical Install

- 24' (7.3m) max<sup>2</sup> Parallel and/or Perpendicular to Planks: Traditional U-Reveal Set, J-Tracks back-to-back

<sup>1</sup>Note: 40' (12.2m) max if using staggered butt-joints.

<sup>2</sup>Note: Through-wall flashing (where required) at every floor elevation.

#### Other options (Perpendicular to Planks only)

- 12' (3.7m) -Craftsman U-Reveal Set

When using expansion components, each plank must terminate into a minimum of one (1) component to allow for expansion & contraction.

**See: Appendix for tables of expansion/contraction calculations per foot/meter of material.**

### Material Ordering & Delivery

- Packaging: Planks are sold in box quantities:  
6" Smooth: 96 SQ FT/Box (8/24's) w. 90pcs Quick-Screen Clips included  
Components are sold individually by the 12' (3.7m) length.
- Shipping: Lead time is 3-6 business days\* + shipping (*\*subject to change*), delivered on 24' (7.3m) long skids weighing up to 2000 lbs. A mechanical lift with forks is required on site to receive the order.
- QC: Always inspect the delivery for damage and contact LB ASAP if there are any issues: [info@longboardproducts.com](mailto:info@longboardproducts.com) or 1-800-604-0343 and include your PO# and any pictures if possible. Mark the delivery receipt as "damaged" and accept the delivery as-is. Longboard is not responsible for the installation of blemished or damaged material.

### **Storage & Handling**

Be sure to store the material flat, keep it dry, safe & secure and remain in unopened cartons until ready to be installed.

**See Appendix for proper handling and care instructions.**

### **Cleaning Recommendations**

While Longboard finishes require zero maintenance, we do recommend periodic cleaning to keep the product looking its best. Our finish is tested to withstand corrosion, fading and normal wear, however, neglect and rough conditions could have negative effects on the surface finish. Your Longboard products should be cleaned immediately after installation. See the cleaning guide for our suggestions based on soil level. Basic methods use a combination of moderate water pressure, soft sponge/brush and a mild detergent.

**\*See *Cleaning Guide for full requirements:*** [longboardproducts.com](http://longboardproducts.com)

⚠ NEVER use aggressive acid or alkaline cleaners on Longboard finishes. Do not use cleaners containing Trisodium Phosphate, Phosphoric Acid, Hydrochloric Acid, Hydrofluoric Acid, Fluorides, or any other compound that is known to react with metal.

Always follow the product instructions for dilution. Cleaning the surface with a cleanser that is not diluted may result in damage to the coating.

### **Warranty**

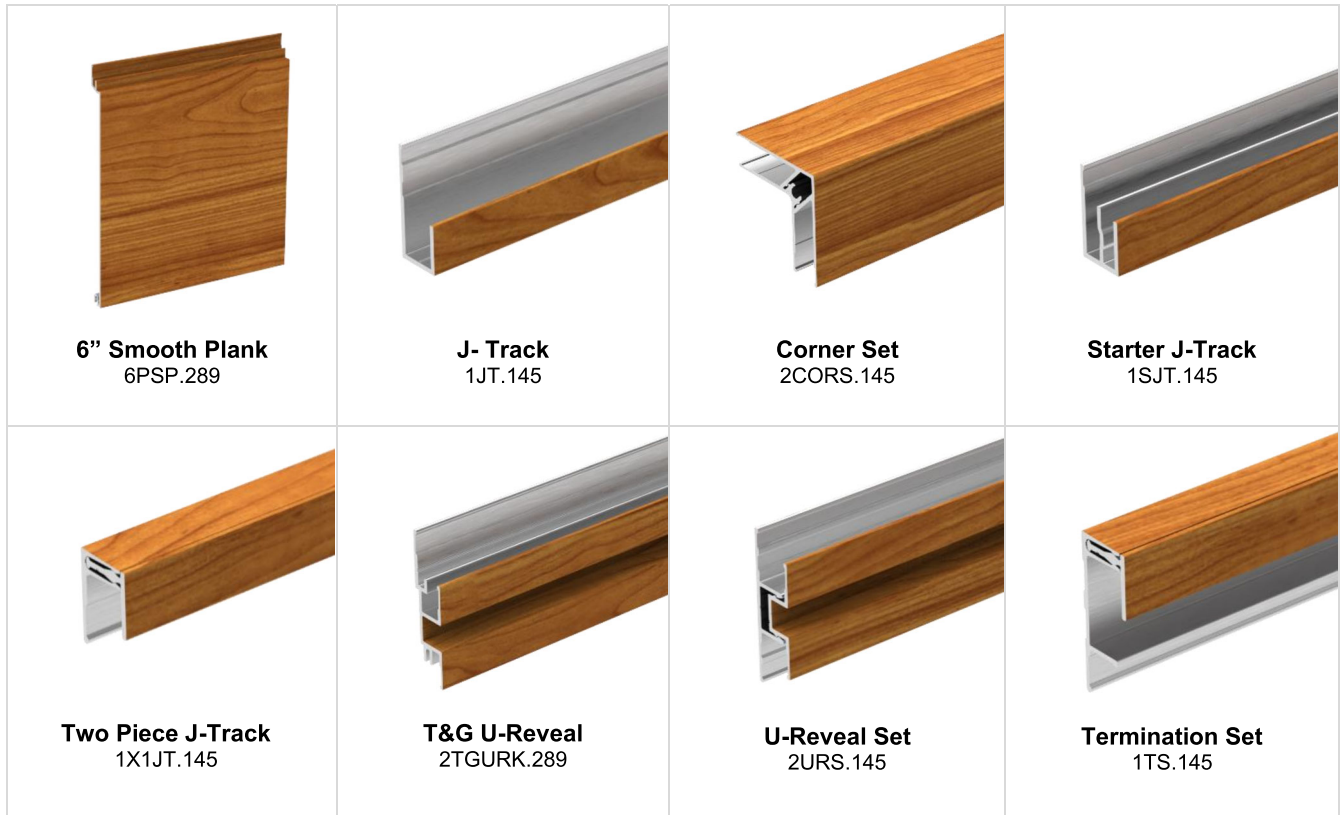
Upon substantial completion of the project, register for warranty online here: [longboardproducts.com/warranty](http://longboardproducts.com/warranty)

⚠ Registration is required for the warranty to be in effect.

## Components

### Components (Typical)


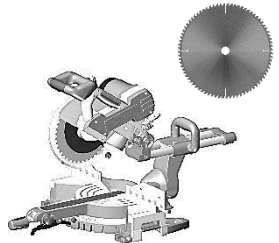

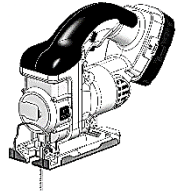

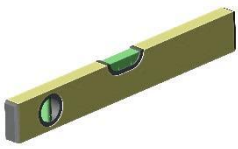


The Panelboard system consists of many components used in conjunction with each other to create a panelized look. For all LB components go to [longboardproducts.com](http://longboardproducts.com).



## Tools/Cutting/Fastening

### Tools

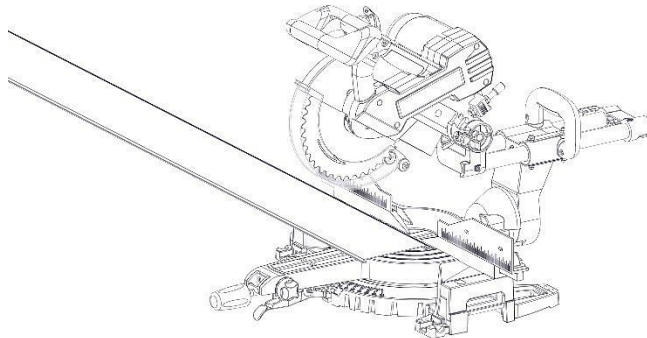
Commonly used tools for Panelboard install.

			
Table Saw with Carbide Metal Blade Non-ferrous 60-80T (for cutting aluminum)	Miter Saw with Carbide Metal Blade Non-ferrous 60-80T (for cutting aluminum)	Cordless Drill with clutch	Jig Saw (for protrusions)
			
Rubber Mallet (or Hammer)	Level	Hole Saw (for lighting fixtures)	#8 Pan Head Screws <small>*Length, thread and point to suit substrate</small>

### Cutting

⚠ Always be sure to wear appropriate PPE: eye & hearing protection.

Cut planks using a Miter Saw and Table Saw, always allowing for expansion & contraction. Trim the taped/drilled ends of all stock length material by at least **1/2" (12mm) each end** and discard.



### Fastening

Fasteners must be corrosion resistant and comply with all local building codes.

⚠️ All fasteners should be suitable for exterior use and be compatible with the substrate type. **Fasteners should be anchored into a solid secure framing member, blocking or furring strip. For vertical applications when the framing member is not available, install diagonal furring strips to securely fasten planks.**

**Perimeter components** should be hard fastened every **16" (406mm) O.C.** directly through the flange using #8 pan-head screws (supplied by others). These components should be fastened within **8" (203mm)** of the end for secure fastening.

**Planks & starter components** are secured using Longboard **Quick-Screen Clips** fastened to the substrate every **32" (813mm) O.C.** using #8 pan-head screws (supplied by others). The Quick-Screen Clips are included in the order for 32" (813mm) spacings.

⚠️ See **Appendix for project specific fastener specs:**  
**Quick Screen Clip - Wind Load Tables 3 & 4**

### Framing requirements

Always consult your local building authority and follow local building code requirements.

#### Wood Framing

- Size: 2x4 minimum
- Spacing: 16" (406mm) O.C. (see Appendix Table 3 & 4 for reference)

#### Metal Framing

- Gauge: 20 ga. minimum (see Appendix Table 3 & 4 for reference)
- Spacing: 16" (406mm) O.C. (see Appendix Table 3 & 4 for reference)

#### Concrete/CMU

Wood or metal furring is recommended over concrete and CMU.

Wood Furring:

- Size: 2x2 minimum
- Type: Pressure treated lumber
- Spacing: 16" (406mm) O.C.

Metal Furring:

- Size: 20 ga. minimum (see Appendix Table 3 & 4 for reference)
- Type: Hat channel, c-stud, or z-furring.
- Spacing: 16" (406mm) O.C.

### Fastener types

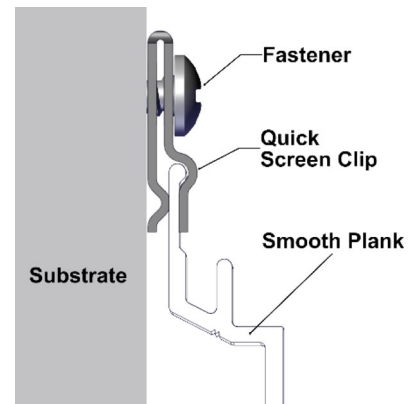
#### RECOMMENDED

Pan-Head Truss-Head



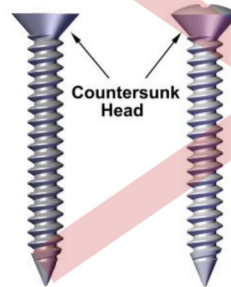
\*Length, thread and point to suit substrate

#### CORRECT



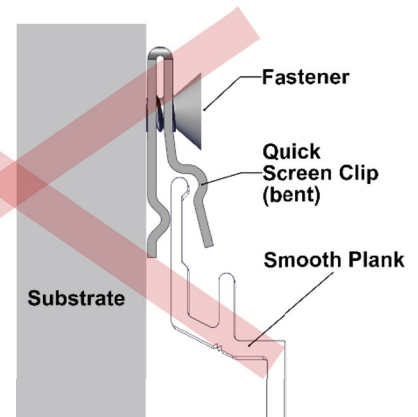
#### DO NOT USE

Flat-Head Oval-Head



Countersunk Head

#### INCORRECT





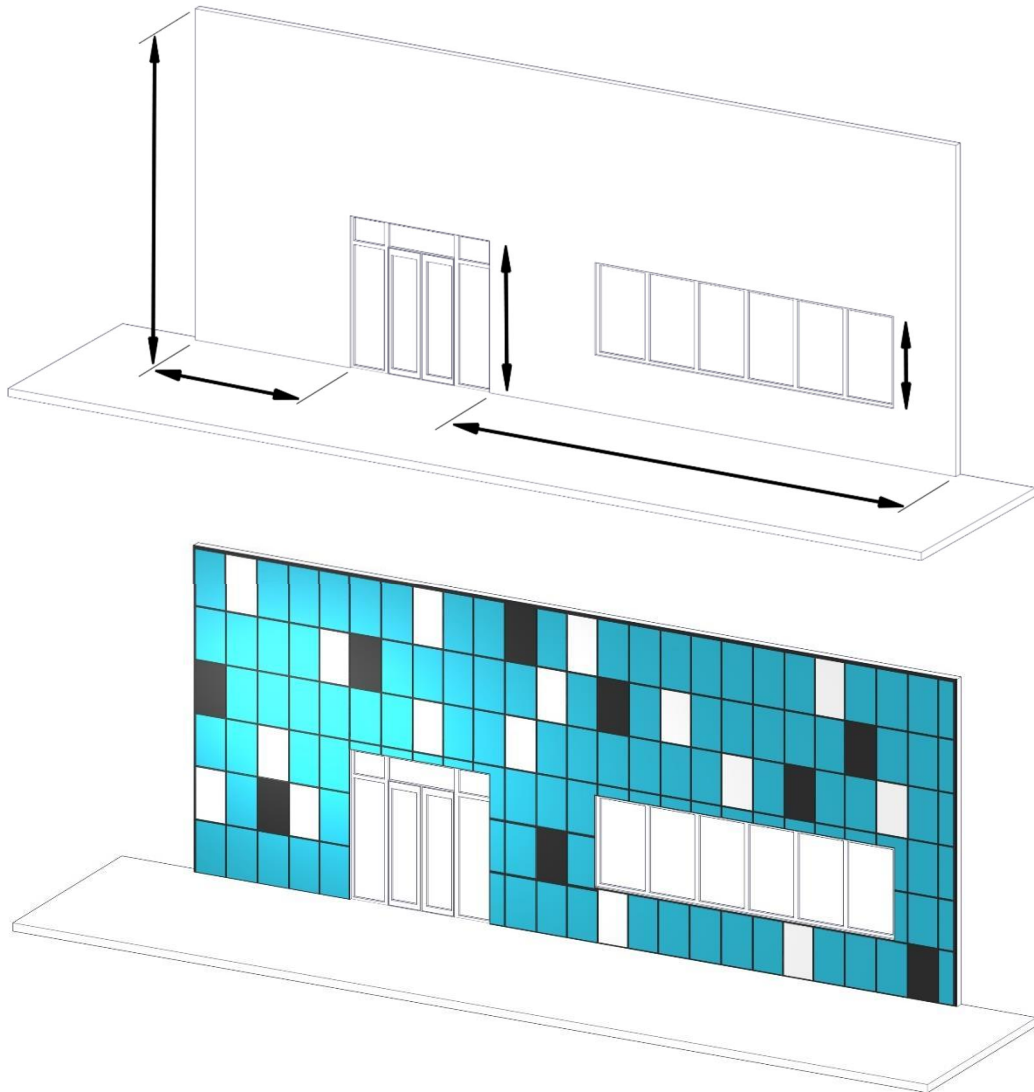
## System Install

### Perimeter and field area limitations

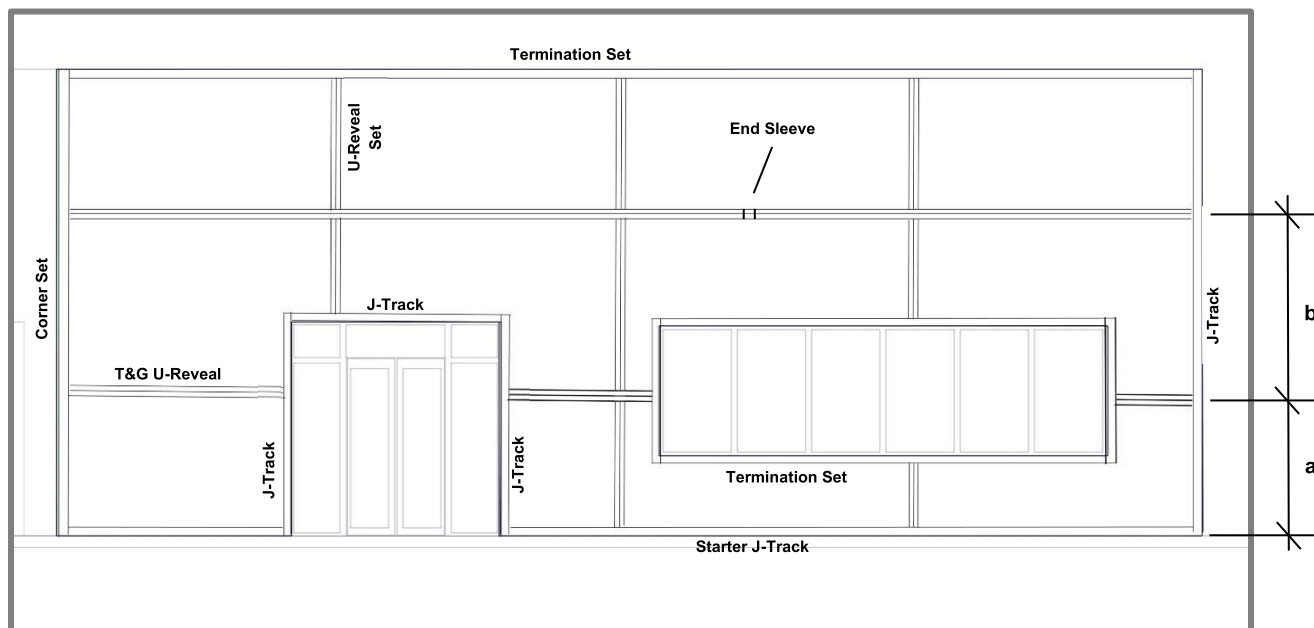
Measure and layout your wall area to consider plank & component alignment with fixtures, penetrations, and adjacent walls, for desired appearance. Apply the same methodology for horizontal planks and vertical planks.

- Longboard system typical dimensions:
 

Planks width	- 6" (152mm)
Planks depth	- 1/2" (12mm)
Planks and components total depth	- 9/16" (15mm)



## Component layout



Measurement considerations:

### 1 1/2" (38mm) T&G U-Reveal (up to 24' length panels)

- (a) Start to Panel - Measuring from outer edge of the Starter J-Track to the center of the 1 1/2" U-Reveal, add 5/8" (16mm) to the dimension of the Plank area. =  $6"(X) + 5/8"$  to  $\phi$
- (b) Panel to Panel - Measuring from center to center of the 1 1/2" U-Reveal, add 1" (25mm) to the dimension of the Plank area. =  $6"(X) + 1"$  to  $\phi$

### 3/4" (19mm) T&G U-Reveal (up to 12' length panels)

- (a) Start to Panel - Measuring from outer edge of the Starter J-Track to the center of the 3/4" U-Reveal, add 1/4" (6mm) to the dimension of the Plank area. =  $6"(X) + 1/4"$  to  $\phi$
- (b) Panel to Panel - Measuring from center to center of the 3/4" U-Reveal, add 3/8" (10mm) to the dimension of the Plank area. =  $6"(X) + 3/8"$  to  $\phi$

## COMPONENTS -12' Stock lengths unless otherwise noted

### Corner Set 2", Outside Corner 1", Inside Corner 3/4"

Location: Inside & outside corners of the installation area.  
 Details: Corner Set 2" recommended for vertical cladding installs.

### J-Track 5/8", Two Piece J-Track (5/8, 7/8", 1 3/8")

Location: Perpendicular to Planks (eg: sides of windows and doors), along gable end walls, other angled conditions, window/door headers and other penetrations.  
 Details: Notch the flange at the ends where they meet corner components.

### Starter J-Track 5/8", Starter Strip

Location: Where starting with a full width Plank, typically along the bottom of the installation for horizontal Planks.  
 Details: Alternatively, Starter Strip can be used back-to-back for vertical installs at the center of each cladding area for equal width ends.

---

**U-Reveal Set (3/4", 1 1/2")**

Location: Perpendicular to Planks, used to set panelized widths.

Details: Two-piece component (cap & base).

---

**T&G U-Reveal (3/4", 1 1/2")**

Location: Parallel to Planks, used to set panelized widths.

Details: Single-piece component, use End Sleeve (included) every 24' max. (24' Stock lengths)

---

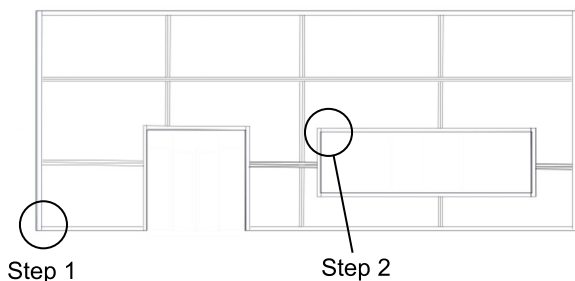
**Termination Set (5/8", 7/8", 1 3/8")**

Location: Parallel to Planks along top of the installation area, underside of windows (horizontal cladding only), sides of windows/doors (vertical cladding only) and other penetrations.

Details: Install base only to start and cap after planks are installed.

---

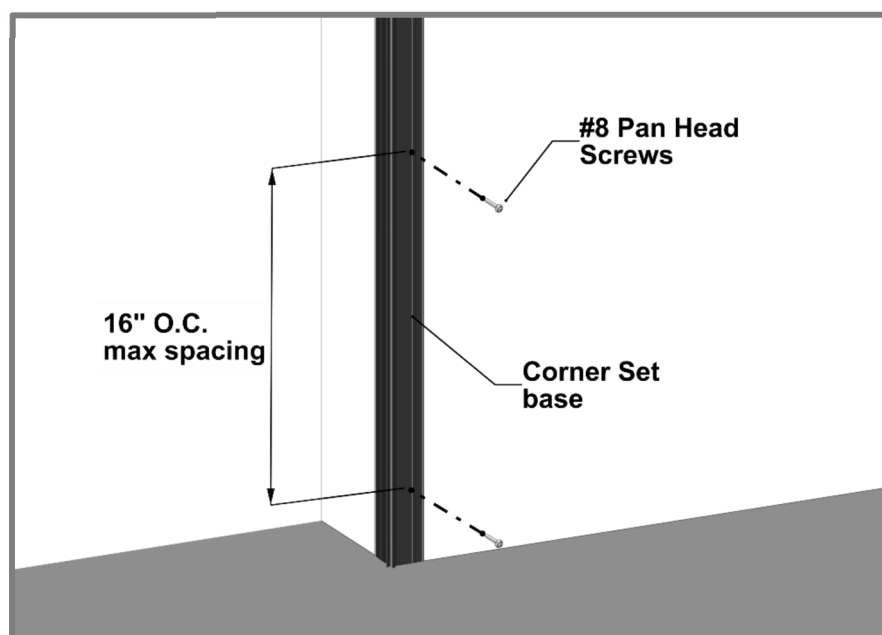
### Install steps



#### Step 1 - Corners

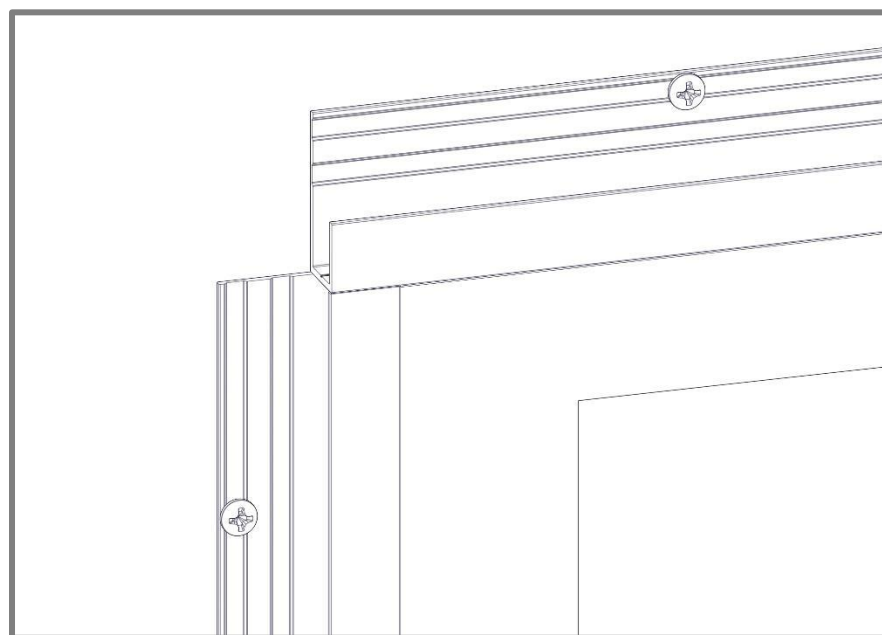
Install inside and outside corner bases, fastening every 16" O.C. with #8 Pan Head Screws. Corners typically extend from top to bottom of the area of application.

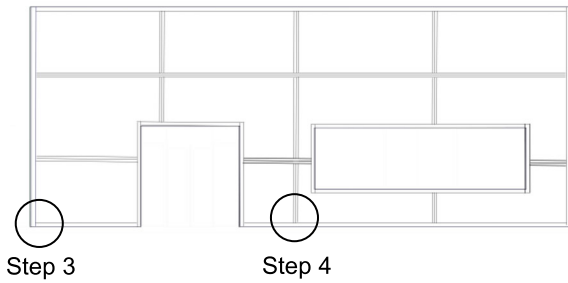
⚠ Check that components are level or plumb and flat or straight, for best results.



#### Step 2 - J-Track

Install J-Track or Two-Piece J-Track around windows and doors, fastening every 16" O.C. with #8 Pan Head Screws. Trims can be mitered for a clean corner look.

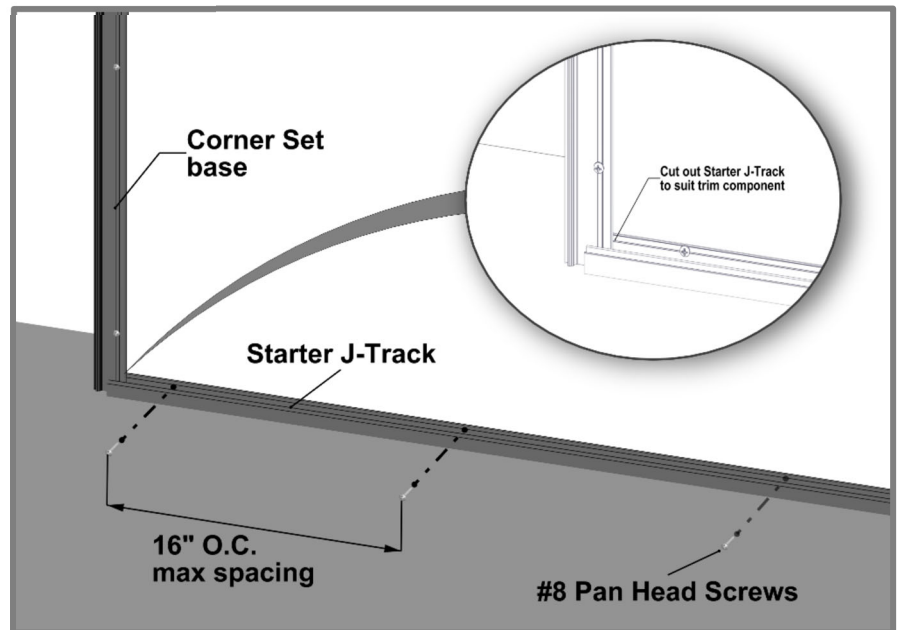




### Step 3 - Starter J-Track

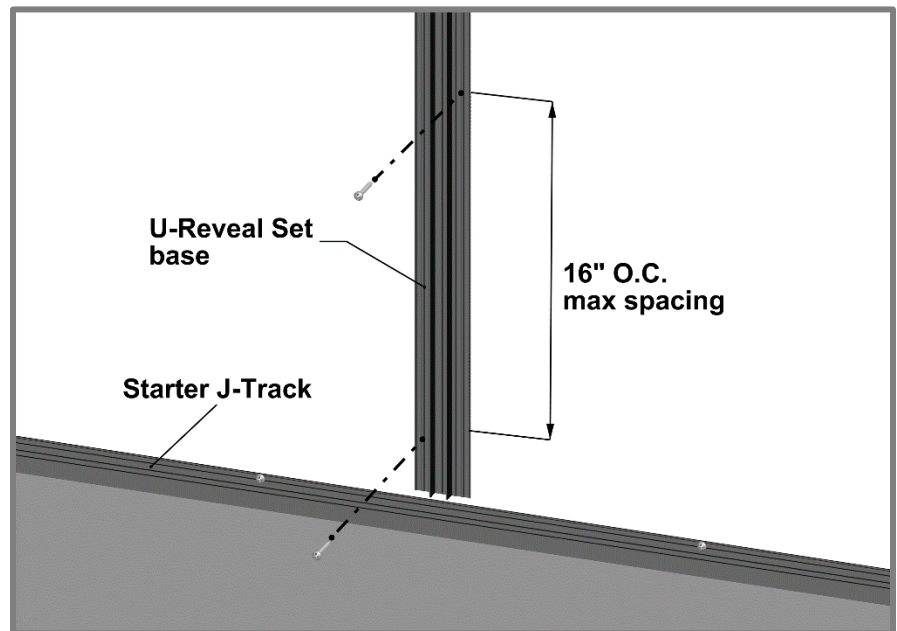
Install Starter J-Track or Starter Strip along the bottom of the wall(s), fastening every 16" O.C. with #8 Pan Head Screws. Notch the Starter J-Track to suit the trim component.

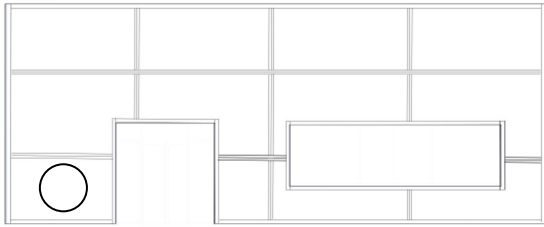
**⚠** Use J-Track and Back-to-Back Starter for vertical plank installations. (Not Shown)



### Step 4 - U-Reveal

Install U-Reveal Set (base only) at the desired panelized length, fastening every 16" O.C. with #8 Pan Head Screws.

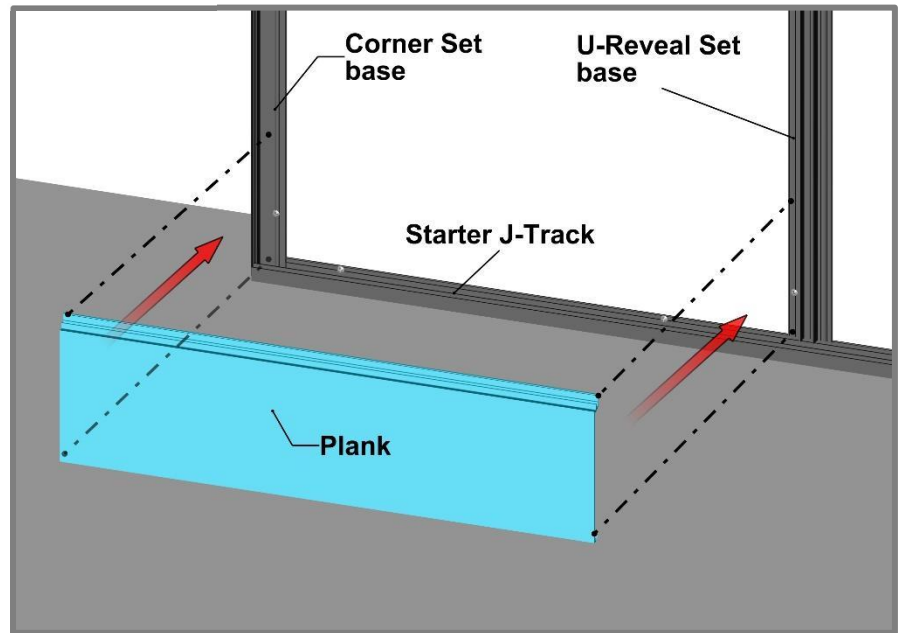




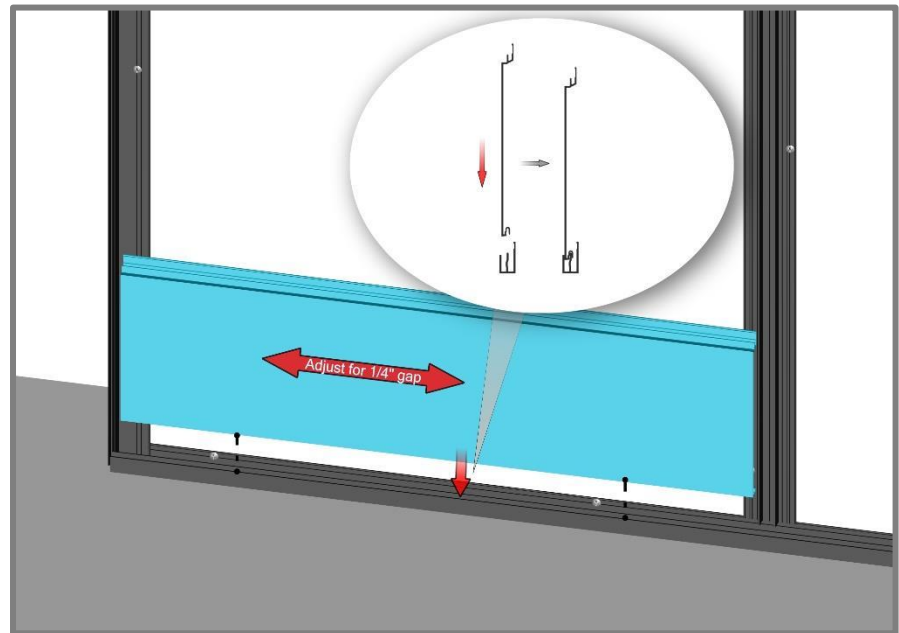
Step 5

Step 5 - Planks

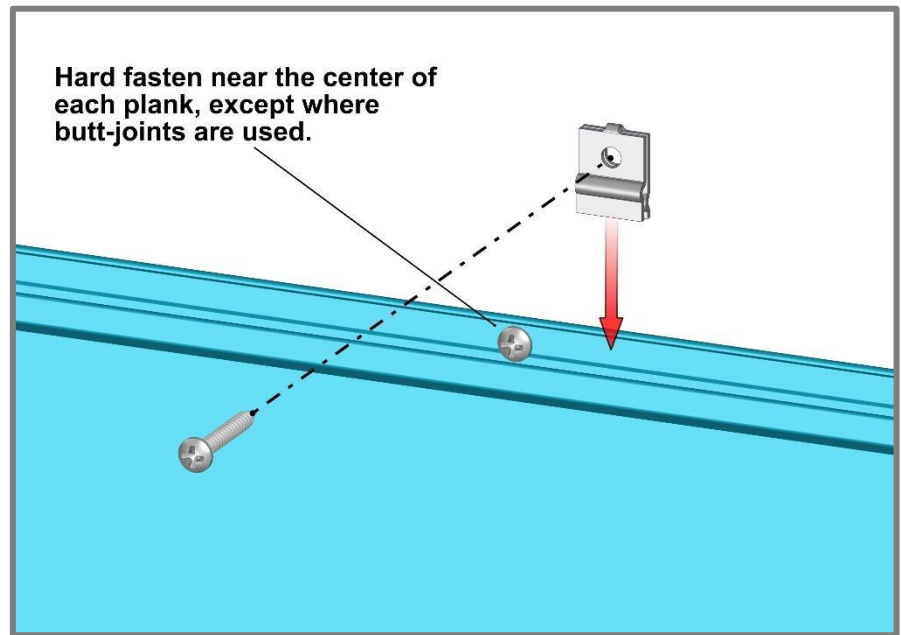
Place the planks into the groove of the Starter J-Track, engaging the tongue. It is good practice to check your installation every 2-3 rows for level or plumb and flat or straight, for best results.



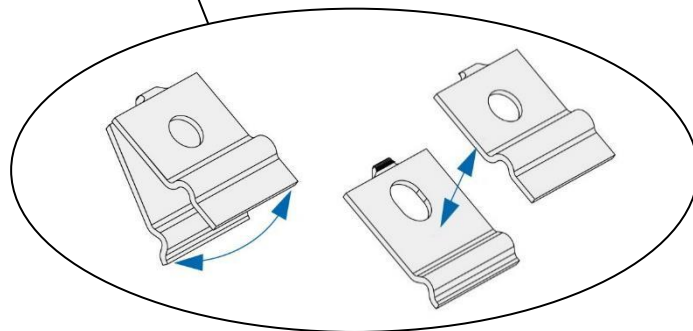
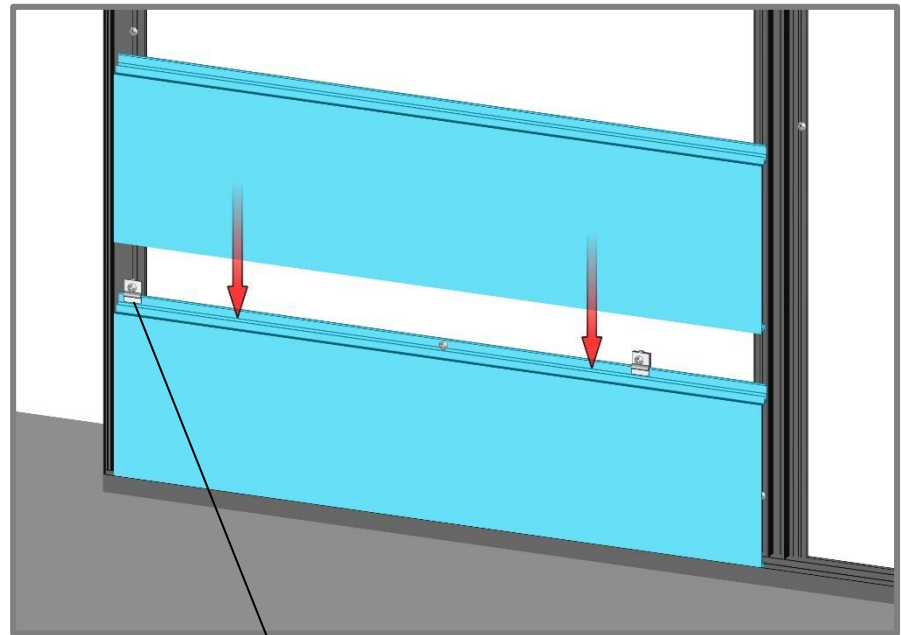
Ensure there is sufficient room for expansion and contraction of each Plank, also confirming component caps will cover.

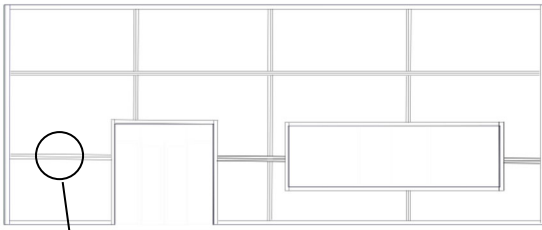


Install Quick Screen Clips every 32" (813mm) O.C. max spacing. Hard fasten only one point near the center of each plank or fasten at the butt-joints where butt-joints are used. Shim Quick-Screen Clips where needed to correct any substrate inconsistencies.



Where anchoring the planks securely can only be achieved over component flanges; split the Quick Screen Clip and use one piece on the front. This will maintain each Planks ability to expand and contract.





Step 6

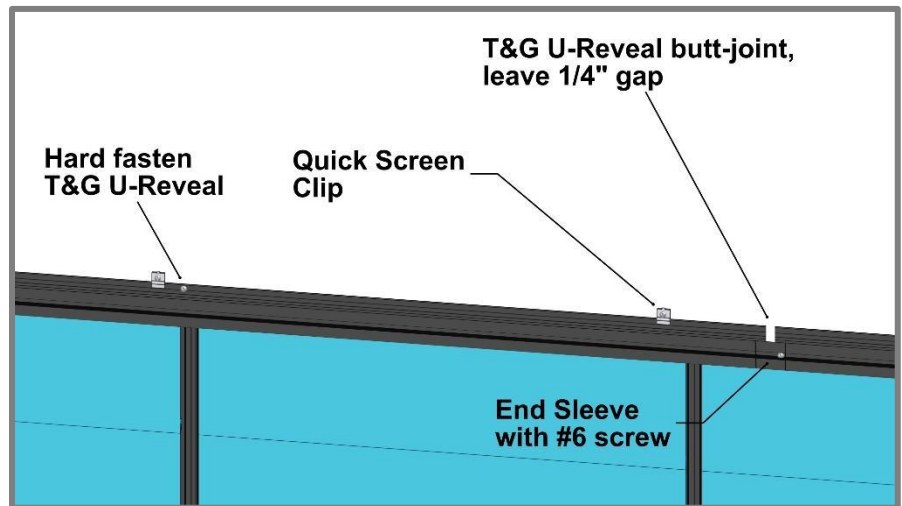
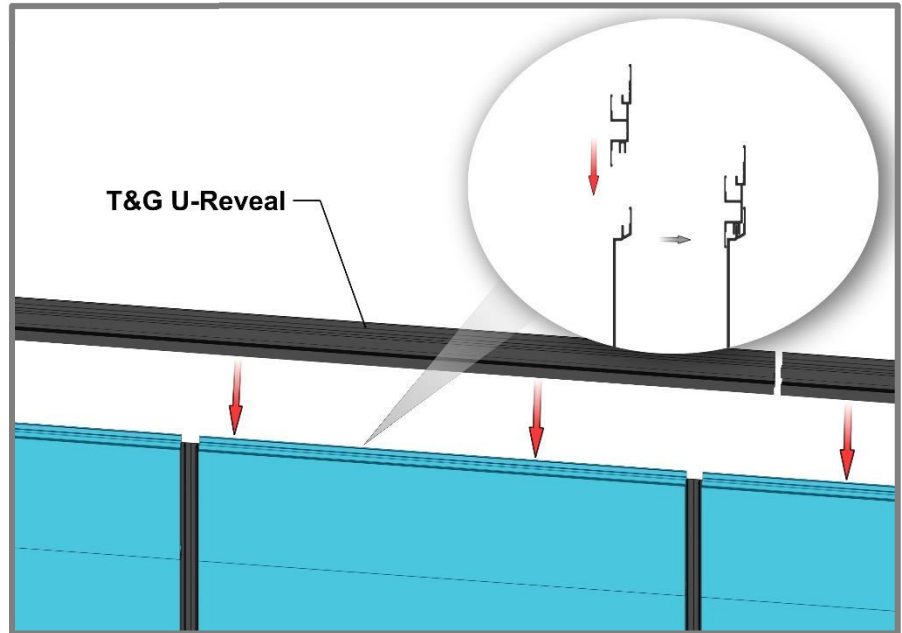
**Step 6 - T&G U-Reveal**

Install T&G U-Reveal at the Panelized width locking it into the tongue of the Planks.

**⚠ Do Not use fasteners or Quick-Screen Clips on Planks which engage with the groove side of the T&G U-Reveal.**

Fasten T&G U-Reveal with Quick Screen Clips and fasteners every 32" O.C. Hard fasten near the center of each T&G U-Reveal length. Where using multiple lengths of T&G U-Reveal, leave a 1/4" gap between butt-joints for thermal movement.

- Where using the Craftsman T&G U-Reveal (3/4"), install the included Craftsman End Sleeve to cover the 1/4" butt-joints. Use a small amount of structural silicone on a single side of the End Sleeve, leaving the opposite side dry and free to expand and contract.
- Where using the Traditional T&G U-Reveal (1-1/2"), install the included Traditional End Sleeve to cover the opposite side, free to expand and contract.

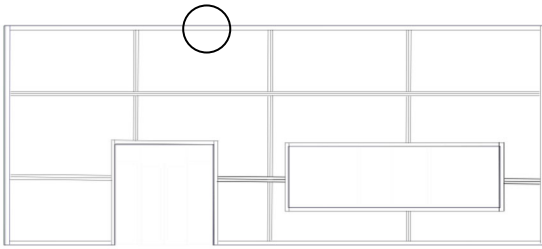


**Step 7 – Next sections**

Repeat install steps 4-6. Install Compression Joints at floor elevations or anywhere else required by local building authority.



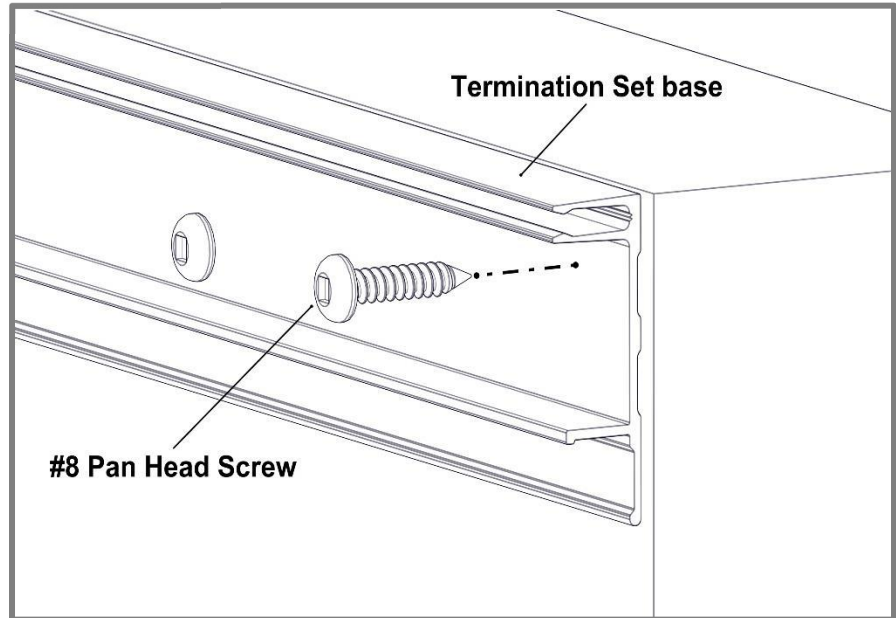
Step 8,9



Step 8 – Termination Set

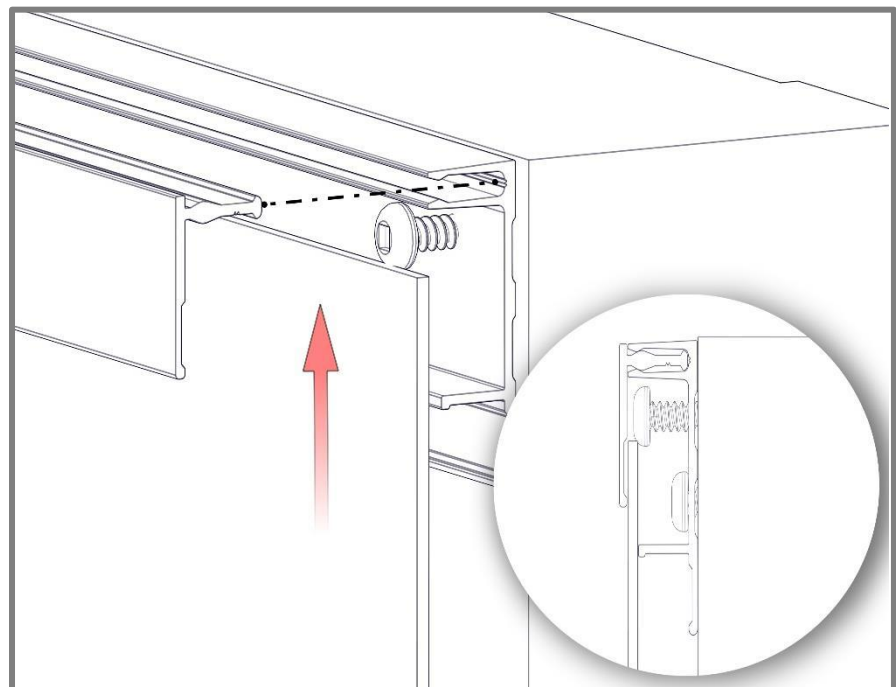
Install Termination Set (base only), fastening every 16" O.C.

Where terminating cut planks, provide a positive stop approximately every 16" (406mm).



Step 9 – Last Row of Planks

Rip the last Plank, cutting it to width to suit the installation area(s). Install edge plank with a 1/4" gap and screw to lock the plank into place.



Step 10 - Once planks are installed, finish off the perimeter trims with caps from two-piece sets.

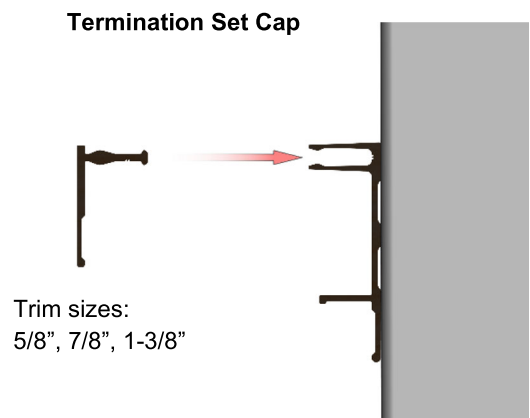
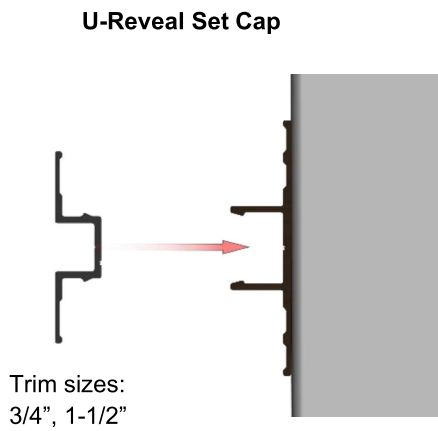
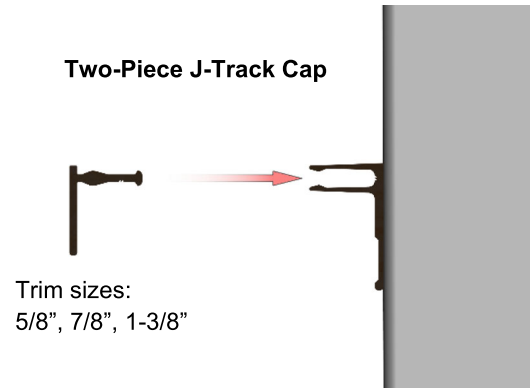
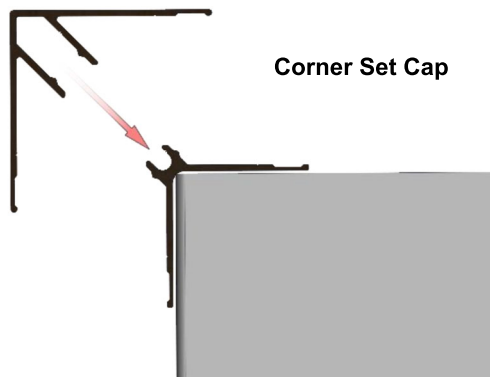
---

**Component Caps**

Location: Installed onto the base of the two-piece sets.

Details: If required, use a rubber mallet or hammer and block to protect the finish during this process.

---

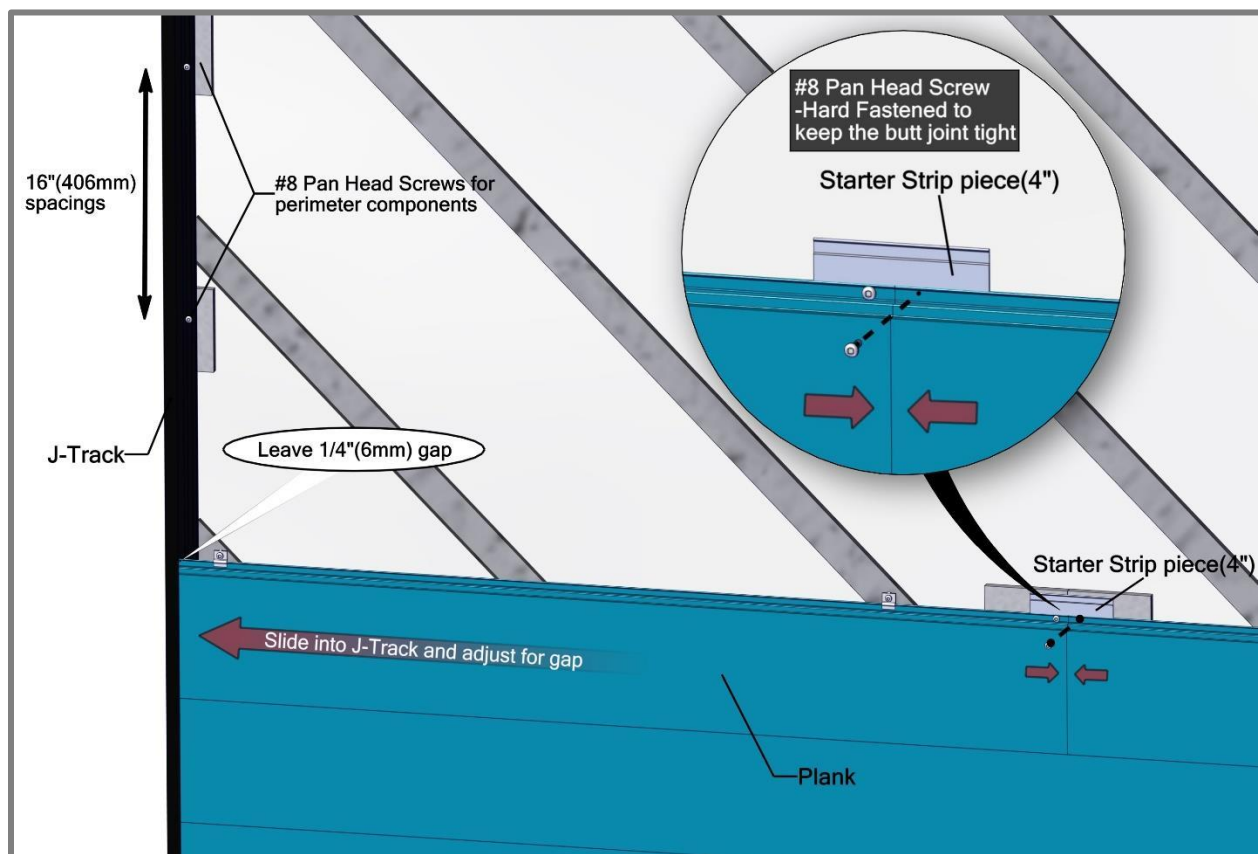


## Details

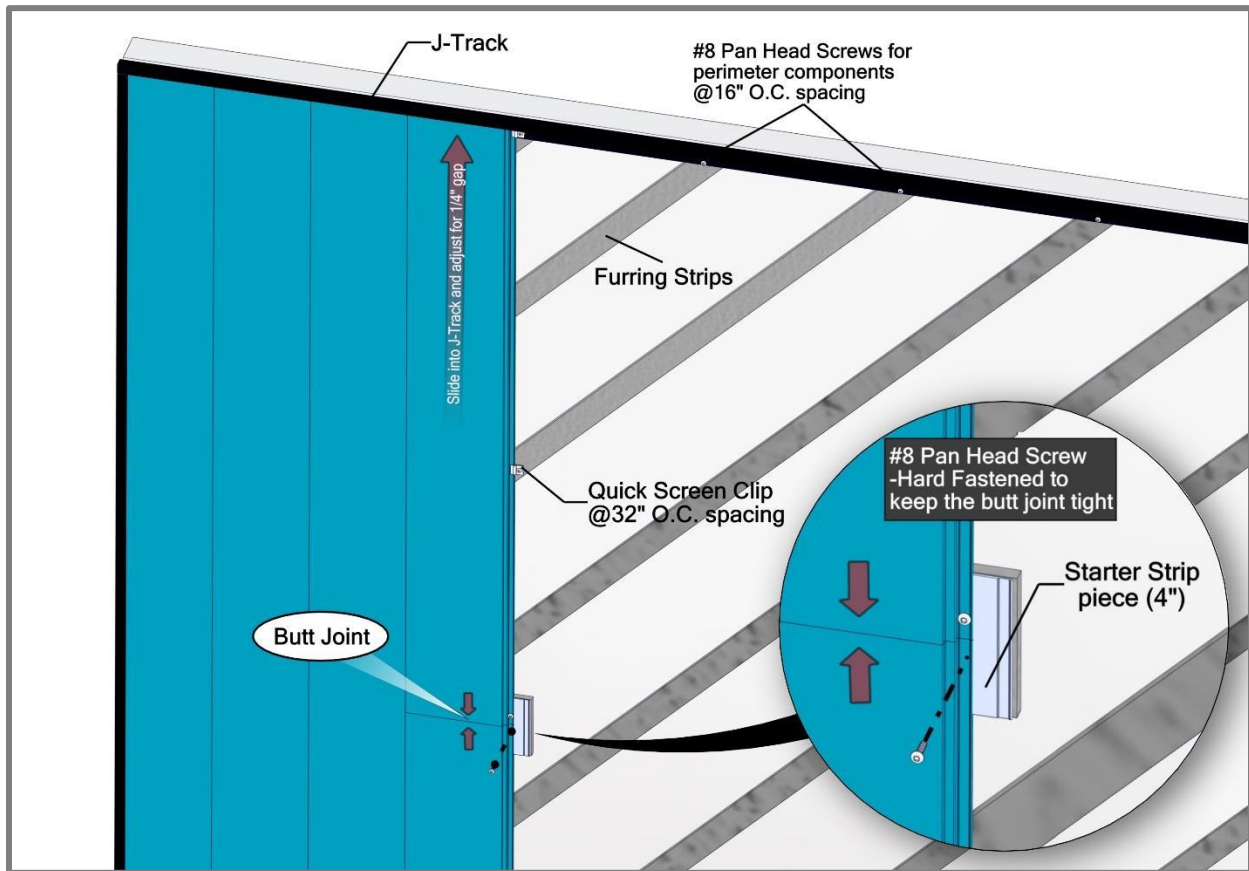
### Butt-Joints

- ⚠ When installing staggered butt-joints, hard-fasten the two planks at the butt-joint to ensure joints do not open up (**See Detail A & B**. Fasteners should be anchored into a solid secure framing member, blocking, furring strip, or backer plate, etc.
- If needed, use touch-up paint pens (purchased separately) to finish the ends of the two (2) planks at the butt-joint.
- DO NOT install more than one (1) butt-joint between two components
- DO NOT hard-fasten a plank to a component trim, as this will restrict its ability to expand & contract into the component.
- If no butt joints along the length, it is good practice to hard-fasten each plank directly through the flange near the center, to keep the planks from migrating.
- DO NOT hard-fasten more than one (1) location per plank.
- Fasten only:

Situation	Location
No butt-joints:	-Center of planks
Butt-joints:	-At the joints



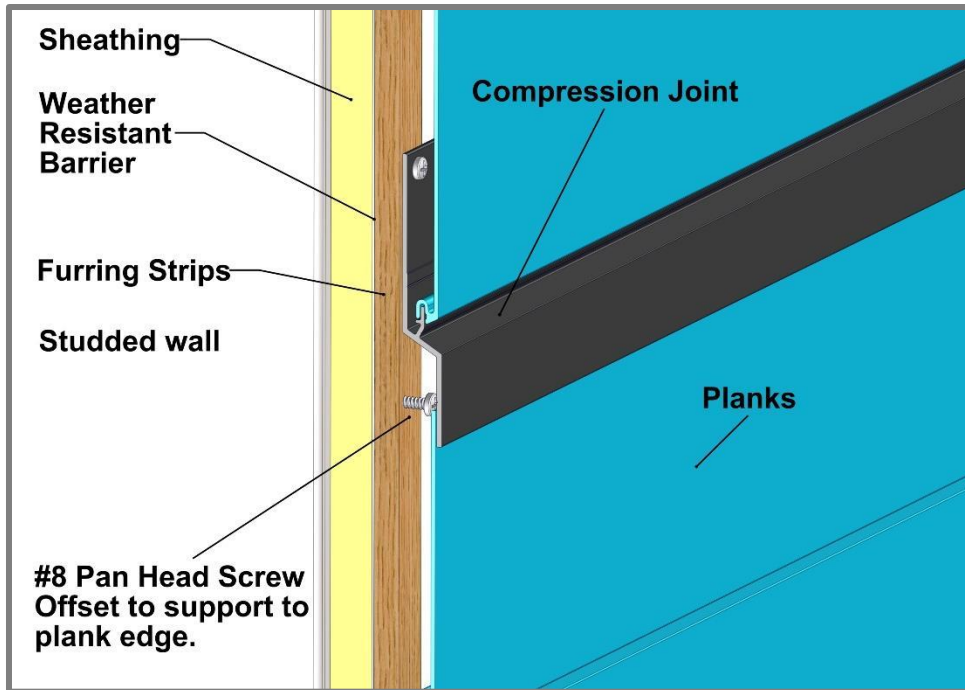
**Detail A**



Detail B

Floor elevation

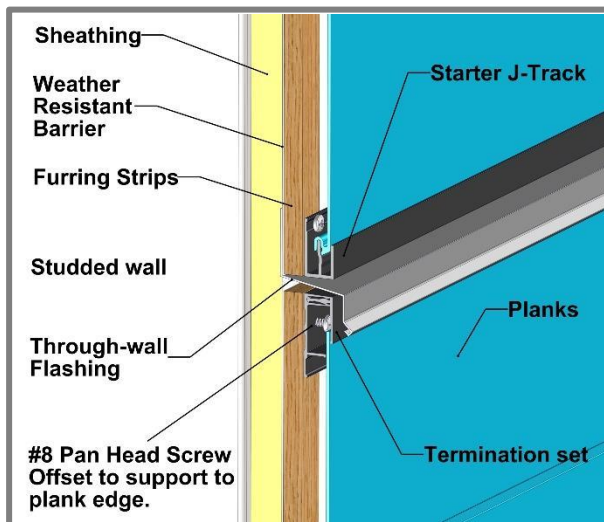
Compression Joint



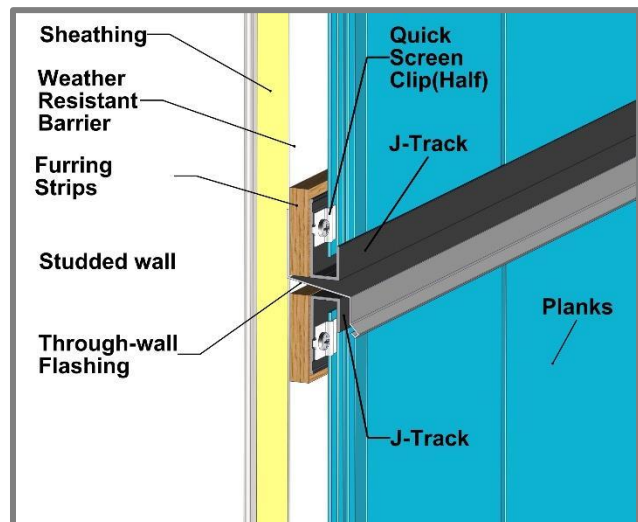
Floor elevation

Type: Compression Joint, Termination set/Starter J-Track, J-Track back-to-back.  
 Location: Typically, at every floor elevation and where through-wall flashing is required.  
 Details: Note the orientation of planks for through-wall flashing install.

Through-wall Flashing



Horizontal Install



Vertical Install

# Appendix

## Expansion and Contraction Tables

TABLE 1 - IMPERIAL

		AVERAGE TEMPERATURE AT TIME OF CUTTING & INSTALLATION											
°C		-50	-40	-30	-20	-10	0	10	20	30	40	50	
°F		-58	-40	-22	-4	14	32	50	68	86	104	122	
MIN/MAX POST CONSTRUCTION TEMP.	°C	°F	EXPANSION OR CONTRACTION (INCH/FOOT)										
	-50	-58	0.000	-0.003	-0.005	-0.008	-0.011	-0.014	-0.016	-0.019	-0.022	-0.024	-0.027
	-40	-40	0.003	0.000	-0.003	-0.005	-0.008	-0.011	-0.014	-0.016	-0.019	-0.022	-0.024
	-30	-22	0.005	0.003	0.000	-0.003	-0.005	-0.008	-0.011	-0.014	-0.016	-0.019	-0.022
	-20	-4	0.008	0.005	0.003	0.000	-0.003	-0.005	-0.008	-0.011	-0.014	-0.016	-0.019
	-10	14	0.011	0.008	0.005	0.003	0.000	-0.003	-0.005	-0.008	-0.011	-0.014	-0.016
	0	32	0.014	0.011	0.008	0.005	0.003	0.000	-0.003	-0.005	-0.008	-0.011	-0.014
	10	50	0.016	0.014	0.011	0.008	0.005	0.003	0.000	-0.003	-0.005	-0.008	-0.011
	20	68	0.019	0.016	0.014	0.011	0.008	0.005	0.003	0.000	-0.003	-0.005	-0.008
	30	86	0.022	0.019	0.016	0.014	0.011	0.008	0.005	0.003	0.000	-0.003	-0.005
	40	104	0.024	0.022	0.019	0.016	0.014	0.011	0.008	0.005	0.003	0.000	-0.003
	50	122	0.027	0.024	0.022	0.019	0.016	0.014	0.011	0.008	0.005	0.003	0.000

TABLE 2 - METRIC

		AVERAGE TEMPERATURE AT TIME OF CUTTING & INSTALLATION											
°C		-50	-40	-30	-20	-10	0	10	20	30	40	50	
°F		-58	-40	-22	-4	14	32	50	68	86	104	122	
MIN/MAX POST CONSTRUCTION TEMP.	°C	°F	EXPANSION OR CONTRACTION (MM/METER)										
	-50	-58	0.000	-0.230	-0.460	-0.690	-0.920	-1.150	-1.380	-1.610	-1.840	-2.070	-2.300
	-40	-40	0.230	0.000	-0.230	-0.460	-0.690	-0.920	-1.150	-1.380	-1.610	-1.840	-2.070
	-30	-22	0.460	0.230	0.000	-0.230	-0.460	-0.690	-0.920	-1.150	-1.380	-1.610	-1.840
	-20	-4	0.690	0.460	0.230	0.000	-0.230	-0.460	-0.690	-0.920	-1.150	-1.380	-1.610
	-10	14	0.920	0.690	0.460	0.230	0.000	-0.230	-0.460	-0.690	-0.920	-1.150	-1.380
	0	32	1.150	0.920	0.690	0.460	0.230	0.000	-0.230	-0.460	-0.690	-0.920	-1.150
	10	50	1.380	1.150	0.920	0.690	0.460	0.230	0.000	-0.230	-0.460	-0.690	-0.920
	20	68	1.610	1.380	1.150	0.920	0.690	0.460	0.230	0.000	-0.230	-0.460	-0.690
	30	86	1.840	1.610	1.380	1.150	0.920	0.690	0.460	0.230	0.000	-0.230	-0.460
	40	104	2.070	1.840	1.610	1.380	1.150	0.920	0.690	0.460	0.230	0.000	-0.230
	50	122	2.300	2.070	1.840	1.610	1.380	1.150	0.920	0.690	0.460	0.230	0.000

**TABLE 3**

4" PLANKS		PSF (Factored / Ultimate)											
		20	30	40	50	60	70	80	90	100	110	121	
QUICK-SCREEN CLIP SPACING (IN) <sup>1, 2, 3</sup>	16"	Wood	✓	✓	✓	✓	✓	✓	✓	✓	✓	✓	✓
		16ga	✓	✓	✓	✓	✓	✓	✓	✓	✓	✓	✓
		18ga	✓	✓	✓	✓	✓	✓	✓	✓	✓	✓	✓
		20ga	✓	✓	✓	✓	✓	✓	✓	✓	✓	✓	✓
	24"	Wood	✓	✓	✓	✓	✓	✓	✓	✓	✓	✓	✓
		16ga	✓	✓	✓	✓	✓	✓	✓	✓	✓	✓	✓
		18ga	✓	✓	✓	✓	✓	✓	✓	✓	✓	✓	✓
		20ga	✓	✓	✓	✓	✓	✓	✓	✓	✓	✓	✓
	32"	Wood	✓	✓	✓	✓	✓	✓	✓	✓	✓	✓	✓
		16ga	✓	✓	✓	✓	✓	✓	✓	✓	✓	✓	✓
		18ga	✓	✓	✓	✓	✓	✓	✓	✓	✓	✓	✓
		20ga	✓	✓	✓	✓	✓	✓	✓	✓	✓	✓	✓

Substrate Types: Sheathed Wood-Frame Wall w/2.0 in. lg. #8 Pan-head wood screws  
 Sheathed 16ga, 50ksi Steel Stud Wall w/#8 Pan-Head Self-Drilling Screws  
 Sheathed 18ga, 33ksi Steel Stud Wall w/#8 Pan-Head Self-Drilling Screws  
 Sheathed 20ga, 33ksi Steel Stud Wall w/#8 Pan-Head Self-Drilling Screws

1\_Spacing is from clip center to center  
 2\_An unfactored dead load of 1.5 psf was assumed for the cladding  
 3\_If fastening to every second stud, the attachment stud shall be staggered between adjacent runs of cladding

**TABLE 4**

6" PLANKS		PSF (Factored / Ultimate)											
		20	30	40	50	60	70	80	90	100	110	121	
QUICK-SCREEN CLIP SPACING (IN) <sup>1, 2, 3</sup>	16"	Wood	✓	✓	✓	✓	✓	✓	✓	✓	✓	✓	✓
		16ga	✓	✓	✓	✓	✓	✓	✓	✓	✓	✓	✓
		18ga	✓	✓	✓	✓	✓	✓	✓	✓	✓	✓	✓
		20ga	✓	✓	✓	✓	✓	✓	✓	✓	✓	✓	✓
	24"	Wood	✓	✓	✓	✓	✓	✓	✓	✓	✓	✓	✓
		16ga	✓	✓	✓	✓	✓	✓	✓	✓	✓	✓	✓
		18ga	✓	✓	✓	✓	✓	✓	✓	✓	✓	✓	✓
		20ga	✓	✓	✓	✓	✓	✓	✓	✓	✓	✓	✓
	32"	Wood	✓	✓	✓	✓	✓	✓	✓	✓	✓	✓	✓
		16ga	✓	✓	✓	✓	✓	✓	✓	✓	✓	✓	✓
		18ga	✓	✓	✓	✓	✓	✓	✓	✓	✓	✓	✓
		20ga	✓	✓	✓	✓	✓	✓	✓	✓	✓	✓	✓

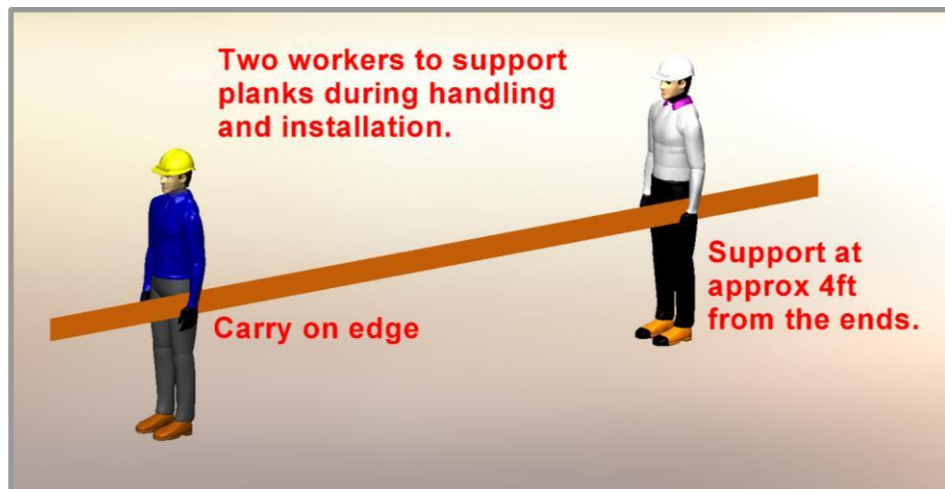
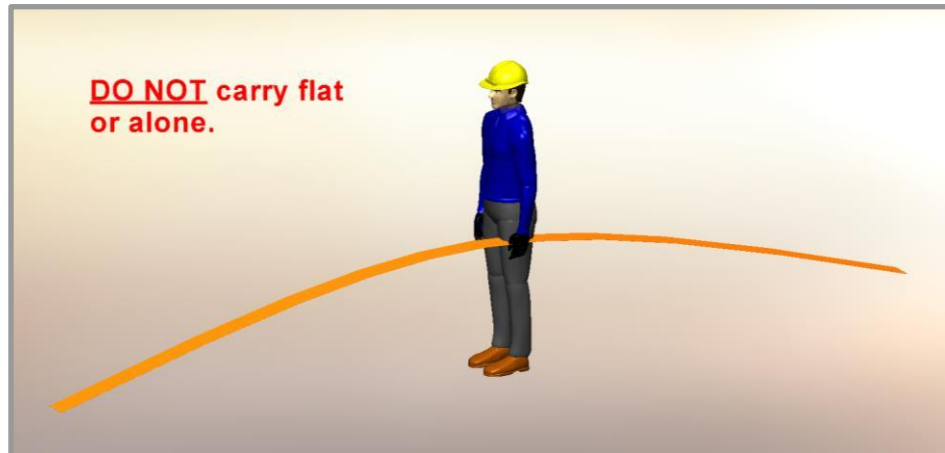
Substrate Types: Sheathed Wood-Frame Wall w/2.0 in. lg. #8 Pan-head wood screws  
 Sheathed 16ga, 50ksi Steel Stud Wall w/#8 Pan-Head Self-Drilling Screws  
 Sheathed 18ga, 33ksi Steel Stud Wall w/#8 Pan-Head Self-Drilling Screws  
 Sheathed 20ga, 33ksi Steel Stud Wall w/#8 Pan-Head Self-Drilling Screws

1\_Spacing is from clip center to center  
 2\_An unfactored dead load of 1.5 psf was assumed for the cladding  
 3\_If fastening to every second stud, the attachment stud shall be staggered between adjacent runs of cladding

## Proper Handling of Longboard Products



To help avoid injury and product damage, Longboard products require proper handling to and from storage areas during installation. When carrying or installing any products it is recommended that they be moved or carried by at least two people with each support point approximately 4ft from the ends. **Carrying products without proper support can cause excessive bending which may damage the appearance or finish of the product.** Any short cut lengths should also be carried on edge while supporting the material. See below for details.



### ⚠️ Delivery, Storage & Handling ⚠️

- Always inspect the delivery for damage and contact LB ASAP if there are any issues: [info@longboardproducts.com](mailto:info@longboardproducts.com) or 1-800-604-0343 and include your PO# and any pictures if possible. Longboard is not responsible for the installation of blemished or damaged material.
- Be sure to store the material flat, keep it dry, safe & secure and remain in unopened cartons until ready to be installed.
- Always wear appropriate PPE when handling products.





Longboard Architectural Products Inc.  
© Longboard Architectural Products Inc. All rights reserved.

Longboard® is a registered trademark of Longboard Architectural Products Inc.

Longboard  
1777 Clearbrook Road  
Abbotsford, BC V2T 8X8  
Canada  
[longboardproducts.com](http://longboardproducts.com)

Every effort has been made to ensure that the information in these installation guidelines is accurate. Longboard is not responsible for printing or clerical errors.

For more information, contact client care at [info@longboardproducts.com](mailto:info@longboardproducts.com) or call toll free 1-800-604-0343.

## Endura Tongue & Groove Planks

### V-Groove Planks

Size	12' *	24' †	12' Perf *	24' Perf †
2½"	3V.145	3V.289	3VP.145	3VP.289
4"	4V.145	4V.289	-	-
6"	6V.145	6V.289	6VP.145	6VP.289

### Smooth Planks

Size	12' *	24' †	12' Perf *	24' Perf †
6"	6PSP.145	6PSP.289	6PSPP.145	6PSPP.289

### Channel Planks

Size	12' *	24' †
6"	6CH.145	6CH.289

### Accessories

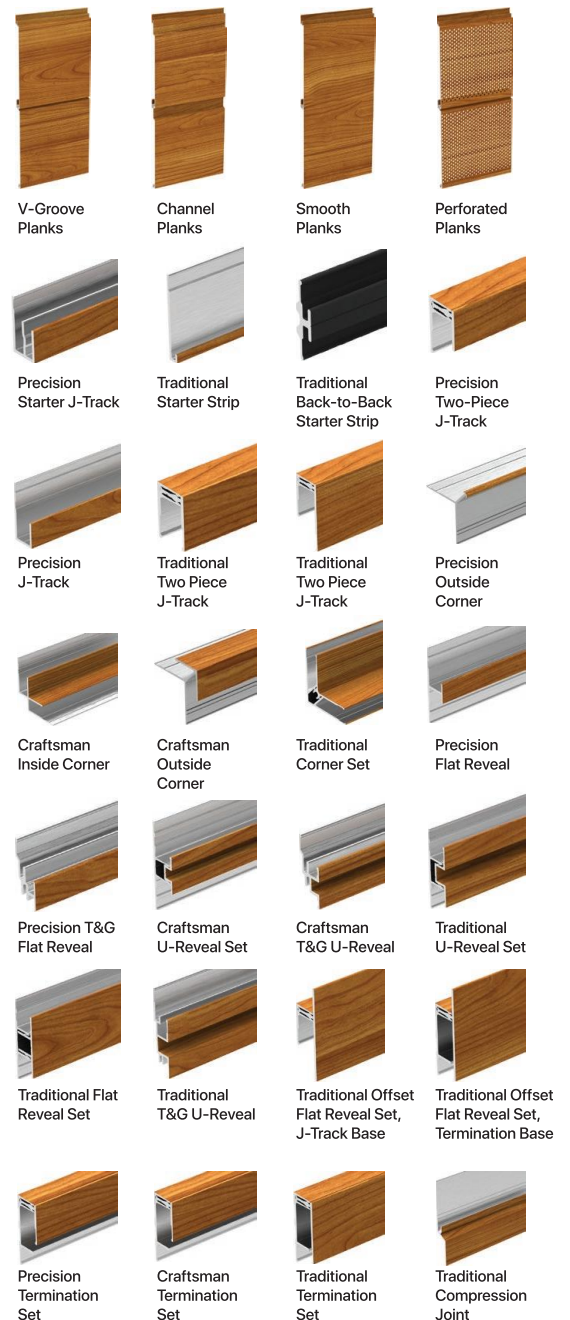
Product	Qty	SKU
<b>Quick Screen Clips</b>	1750, box	CLIP.N1750
<b>Quick Screen Clips</b>	100, bag	CLIP.N100
<b>Touch Up Pens</b> <i>Reach out to confirm color with account manager</i>	N/A	TUP

### Acoustical Soundtex® Scrim

Size	12' *	24' †
<b>6" V-Groove Plank</b>	6PSP.145	6PSP.289
<b>6" Smooth Plank</b>	6PSPPA.145	6PSPPA.289

### Component Trims

Type	Style	Product	Dimensions	SKU
<b>Starter</b>	Precision	Starter J-Track	(5/8") - 12'	1SJT.145
<b>Starter</b>	Traditional	Starter Strip	(1-7/8") - 12'	2SS.145
<b>Starter</b>	Traditional	Back-to-Back Starter Strip	(1-1/4") - 12'	2BTBSS.145
<b>J-Track</b>	Precision	Two Piece J-Track	(5/8") - 12'	1X1JT.145
<b>J-Track</b>	Precision	J-Track	(5/8") - 12'	1JT.145
<b>J-Track</b>	Craftsman	Two Piece J-Track	(7/8") - 12'	JT23S.145
<b>J-Track</b>	Traditional	Two Piece J-Track	(1-3/8") - 12'	1X2JT.145
<b>Corner</b>	Precision	Outside Corner	(3/16") - 12'	05OC.145
<b>Corner</b>	Craftsman	Inside Corner	(3/4") - 12'	1IC.145
<b>Corner</b>	Craftsman	Outside Corner	(1") - 12'	1OC.145
<b>Corner</b>	Traditional	Corner Set	(2") - 12'	2CORS.145
<b>Reveal</b>	Precision	Flat Reveal	(1/2") - 12'	1FR.145
<b>Reveal</b>	Precision	T&G Flat Reveal	(1/2") - 12'	1TGFR.145
<b>Reveal</b>	Craftsman	U-Reveal Set	(3/4") - 12'	1URS.145
<b>Reveal</b>	Craftsman	T&G U-Reveal	(3/4) - 12'	1TGURK.145
<b>Reveal</b>	Traditional	U-Reveal Set	(1-1/2") - 12'	2URS.145
<b>Reveal</b>	Traditional	Flat Reveal Set	(1-1/2") - 12'	2FRS.145
<b>Reveal</b>	Traditional	T&G U-Reveal	(1 1/2") - 12'	2TGURK.145
<b>Reveal</b>	Traditional	Offset Flat Reveal Set, J-Track Base	(2") - 12'	2OFFJ.145
<b>Reveal</b>	Traditional	Offset Flat Reveal Set, Termination Base	(2") - 12'	2OFFT.145
<b>Termination</b>	Precision	Termination Set	(5/8") - 12'	1TS.145
<b>Termination</b>	Craftsman	Termination Set	(7/8") - 12'	TS.145
<b>Termination</b>	Traditional	Termination Set	(1-3/8") - 12'	2TS.145
<b>Compression Joints</b>	Traditional	Compression Joint	(1-3/8") - 12'	2CJ.145



\* 48 sq. ft. box quantities † 96 sq. ft. box quantities

## Intrepid Link & Lock™ Battens

Size	12'	24'	End Caps (20/box)	End Mounts (20/box)	Mounting Accessories	Qty	SKU
2"	2X2LL.145	2X2LL.289	2LLEC.2	2LLEM.2	<b>Link &amp; Lock Mounting Clip</b>	48, bag	LLMC.N48
4"	2X4LL.145	2X4LL.289	2LLEC.4	2LLEM.4	<b>Dewalt® 1/2" Pilot Point Drill Bit</b>	1	DRILLBT.05
6"	2X6LL.145	2X6LL.289	2LLEC.6	2LLEM.6	<b>24" Link &amp; Lock Internal Stiffener</b>	1	LLSTIFF.289
8"	2X8LL.145	2X8LL.289	2LLEC.8	2LLEM.8	<b>3M® Double Sided Adhesive Tape - 108'</b>	1, roll	LLTAPE.1296



Link & Lock™ Batten

## Privacy Screen System

Size	Product	24'	End Caps (20/box)	Mounting Accessories	Qty	SKU
1x3"	Privacy Beam	1X3B.289	1BEC.3	<b>1x3" &amp; 1x5" Spacer Block</b>	100, box	2X2SB.N100
1x5"	Privacy Beam	1X5B.289	1BEC.5	<b>1x3" &amp; 1x5" Spacer Bar</b>	1	1X2FB.145
2x2"	Privacy Post	2X2SP.289	2X2PC.2	<b>1x3" Spacer Bar</b>	100, box	1X2FB.1
1x3"	Privacy Post	2X3DP.289	2X3PC.3	<b>1x5" Spacer Bar</b>	100, box	1X2FB.3
				<b>3" Mounting Bracket</b>	100, box	3PSMB.1
				<b>#10 Black Screws</b>	100, box	PECS.N100



Privacy Beam

## Dauntless System

Dimensions	Product	24'	End Caps (20/box)
1-5/8" x 4"	Beam	2X4CB.289	2BEC.4
1-5/8" x 6"	Beam	2X6CB.289	2BEC.6

### Hanger Bracket Mounting System

Product	Kind	Qty	SKU
<b>Side Rail</b>	24' Carrier Rail	1	2CBSR.289
<b>Beam Spine Connection Top</b>	Accessory	1	BSCT.6
<b>2" Hanger Bracket</b>	Bracket	1	CBHB.2
<b>4" Hanger Bracket</b>	Bracket	1	CBHB.4
<b>6" Hanger Bracket</b>	Bracket	1	CBHB.6
<b>8" Hanger Bracket</b>	Bracket	1	CBHB.8
<b>10" Hanger Bracket</b>	Bracket	1	CBHB.10
<b>12" Hanger Bracket</b>	Bracket	1	CBHB.12

### Clip Mounting System

Product	Kind	Qty	SKU
<b>Single Rail</b> <sup>A</sup>	24' Carrier Rail	1	CBR.289
<b>Double Rail</b> <sup>A</sup>	24' Carrier Rail	1	CBDR.289
<b>1-1/2" Single Hanger Clip</b>	Clip	20, box	HCS.2
<b>3" Hanger Clip</b>	Clip	20, box	HC.3
<b>Eye Bolt with T-Nuts</b>	Attachment	20, box	CBEB.N20

<sup>A</sup>Includes 7 Eye-Bolts with T-Nuts



Clip Assembly



Hanger Bracket Assembly

## Finishes

Woodgrain	15 Year Warranty	Woodgrain	15 Year Warranty	Solid Color	15 Year Warranty	Specialty	15 Year Warranty
<b>Birchwood</b>	15BWD	<b>Light Bamboo</b>	15LBB	<b>Black</b>	15BLA	<b>Anodic Ice</b>	15AIC
<b>Beechwood</b>	15BEE	<b>Light Cherry</b>	15LCY	<b>Bone White</b>	15BWH	<b>Biscotti</b>	15BIS
<b>Blonde Oak</b>	15BOK	<b>Light Fir</b>	15LFR	<b>Brick Red</b>	15BRD	<b>Burnt Sienna</b>	15BSN
<b>Dark Acacia</b>	15DAC	<b>Light National Walnut</b>	15LNW	<b>Charcoal</b>	15CHA	<b>Canyon Vista</b>	15CVI
<b>Dark Antique Oak</b>	15DOA	<b>Light Oak</b>	15LOK	<b>Chili Pepper</b>	15CHP	<b>Ceramic Clay</b>	15CCL
<b>Dark Bamboo</b>	15DBB	<b>National Mahogany</b>	15NMH	<b>Classic Bronze</b>	15CBZ	<b>Copper Penny</b>	15CPE
<b>Dark Cherry</b>	15DCY	<b>Sand Drift</b>	15SDR	<b>Dark Brown</b>	15DBR	<b>Moonstone</b>	15MOO
<b>Dark Fir</b>	15DFR	<b>Southern Yellow Pine</b>	15SYP	<b>Graphite</b>	15GRA	<b>Old Navy</b>	15ONA
<b>Dark Knotty Pine</b>	15DKP	<b>Table Walnut</b>	15TWL	<b>Medium Blue</b>	15MBL	<b>Platinum Ice</b>	15PIC
<b>Dark National Walnut</b>	15DNW	<b>Weathered Grey</b>	15WGY	<b>Slate Grey</b>	15SGR	<b>Venus</b>	15VEN
<b>Dark Walnut</b>	15DWL	<b>Western Cedar</b>	15WCD	<b>Ultra White</b>	15UWH		
<b>Italian Rosewood</b>	15IRW	<b>White Oak</b>	15WOK				
<b>Naturally Aged Metals</b>	15 Year Warranty						
<b>Carbon Mist</b>	15CMI						
<b>Molten</b>	15MOL						
<b>Smokey Topaz</b>	15STO						
<b>Toasted Mocha</b>	15TMO						

### Example of complete product SKU

6V.289.15DFR  
(Product.Length.Finish)

# Finish Options

We help you achieve your vision. Whether you're looking to create a space that offers the warmth of natural woodgrain or a modern industrialized aged metal, we have a finish option for you.

Require a custom finish or color? Our experienced color matching team can make it a reality.

Special order finishes may require additional production lead time or pricing.

- Interior Only
- Special Order
- High Gloss Finish
- Shimmer Finish
- Low Gloss Finish
- Terracota Finish

## Woodgrains



Dark Cherry



Light Cherry



Dark Fir



Light Fir



Dark National Walnut



Light National Walnut



Dark Walnut



Table Walnut



Western Cedar



Italian Rosewood



Birchwood



Dark Acacia



Dark Antique Oak



Dark Bamboo



Light Bamboo



Dark Knotty Pine



Light Oak



National Mahogany



White Oak



Sand Drift



Weathered Gray



Blonde Oak



Southern Yellow Pine



Beechwood

## Solid Colors



Black



Bone White



Brick Red



Graphite



Charcoal



Classic Bronze



Medium Blue



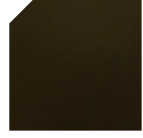
Slate Gray



Chili Pepper



Ultra White



Dark Brown



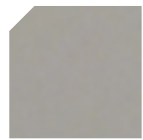
Ceramic Clay



Moonstone



Platinum Ice



Anodic Ice



Venus



Old Navy

## Naturally Aged Metals



Carbon Mist



Molten



Smokey Topaz



Toasted Mocha

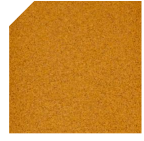
## Others



Biscotti



Canyon Vista



Burnt Sienna



Copper Penny

**Warranty granted to (company name):**

Longboard Architectural Products Inc. ("Longboard," "The Company") products as identified by the Product Codes listed will conform to the standards set out in Clause 1 and Clause 2 of this Warranty, subject to the terms and conditions set out in Clause 3 and 4 of this Warranty.

Product codes: Product description:

<input type="text"/>	<input type="text"/>
<input type="text"/>	<input type="text"/>
<input type="text"/>	<input type="text"/>
<b>Finish:</b>	<input type="text"/>

<input type="text"/>	
<input type="text"/>	
<input type="text"/>	
<input type="text"/>	<input type="text"/>
<input type="text"/>	

**Clause 1**

**Extruded Aluminum Profile(s)**

Longboard expressly warrants that its product line is free from manufacturing defects in material or workmanship.

- 1.1 When siding is applied according to Longboard instructions and properly maintained, such product is guaranteed against the following:
- 1.2 Buckling: The product itself will be free of any buckling that is not associated with the substrate and/or structure to which the Longboard system is attached. For the purpose of this warranty, buckling shall be defined as warping of the product(s) exceeding one sixteenth of an inch out of plane per linear foot.
- 1.3 Corrosion: When applied according to Longboard instructions and properly maintained, such product is further guaranteed against rusting and corroding. Subject to the limitations set out in Clause 3 and 4.
- 1.4 What we will do: If, during the fifteenth (15th) year Limited Warranty Period on the powder coating finish, the Product is defective in material or workmanship, Longboard will, in its sole discretion, either repair or replace the defective portion of the Product.
- 1.5 What we will do: If, during the 50-year Limited Warranty Period on the aluminum extruded profiles, the Product is defective in material or workmanship, Longboard will, in its sole discretion, either repair or replace the defective portion of the Product.
- 1.6 After the 15th year, this Limited Warranty on the powder coated finish will expire and shall no longer be applicable.
- 1.7 After the 50th year, this Limited Warranty on the aluminum extruded profile(s) will expire and shall no longer be applicable.
- 1.8 Longboard replacement of the defective Product or reimbursement of this Limited Warranty is the exclusive remedy for the Covered Person for any defect in materials or workmanship. The Company will not refund or pay any costs in connection with labor or accessory materials.

**Clause 2**

- 2.1 During the first fifteen (15) years of this warranty:
- 2.2 Checking/Cracking: No visible checking or cracking of the product finish on the building.
- 2.3 Chalking Resistance: No chalking of the product finish on the building in excess of that represented by No.6 rating based on ASTM D4214.
- 2.4 Color Retention: No color change of the product finish on the building greater than 5 (five) CIE Lab ΔE units calculated in accordance with ASTM 2244 Section 6.3. Color change shall be measured on the exposed paint surface which has been cleaned of oil, grease, chalk, oxidized film or other contaminants, corresponding values shall be measured on the control panel.
- 2.5 Gloss Retention: Coated surface will exhibit gloss retention

of a minimum of 30% of the original. Gloss retention shall be measured on the exposed paint surface which has been cleaned of oil, grease, chalk, oxidized film or other contaminants, corresponding values shall be measured on the control panel.

- 2.6 Adhesion: Adhesion of product finish when initially applied to test panels and measured by reference to AAMA 2604-02 Clause 7.4.2 will show no removal of the film.

**Clause 3**

- 3.1 Warranty Terms and Conditions:
- 3.2 The "Warranty Period" for the warranties in Clause 1 shall mean fifty (50) years or for as long as the original "owner" and/or "purchaser" named above shall live and own the property on which the material was originally installed.
- 3.3 Clause 3: Shall mean fifteen (15) years, commencing on the date of completion.
- 3.4 Registration of the product is required for the warranty to be in effect. This warranty is valid for the original purchaser and one other owner of the structure where the product(s) have been installed.
- 3.7 Normal atmospheric conditions exclude corrosive or aggressive atmospheres such as those contaminated with chemical fumes or other corrosive elements. The product finish is not meant for marine use on boats, ships or offshore platforms.

**Clause 4**

- 4.1 This warranty will not extend or cover:
- 4.2 Damages to the coated metal caused by handling, shipping, processing and/or installation; or
- 4.3 Damages to the coated metal caused by scratching or abrading after installation; or
- 4.4 Damages to the coated metal as a result of standing water in horizontal installations.
- 4.5 The warranty will not be applicable to damage or failure, which is caused by acts of God, falling objects, external forces, explosions, fire, riots, civil commotion's, acts of war, or other such similar or dissimilar occurrences beyond The Company's control.
- 4.6 Customer shall make available to The Company the dates of the installation of the coated metal, the maintenance records including details of washing and cleaning procedures in compliance with the annual cleaning requirements as stated in the Required Maintenance section of this warranty. Customers shall demonstrate that the failure of the coated metal was due to a breach of the warranty stated herein.
- 4.7 Claims must be made in writing to Longboard within 30 days of the discovery of a problem and authorization obtained prior to beginning any repair and/or refinishing work. The claimant must provide proof of coverage. Claims can be made by writing to Longboard at the Product Performance Department. After receiving such notice, The Company

must be given a reasonable opportunity to inspect and verify the claim.

- 4.8 Longboard exclusive liability under this warranty, or otherwise, will be limited to refinishing and/or repairing, at The Company's sole discretion, the defective powder coating. The warranty on any refinished, repaired or replaced coated metal supplied hereunder shall be for the remainder of the warranty period applicable to the originally coated metal. All warranty work will be performed by a company or contractor selected by Longboard. Color variance between refinished and/or repainted product and original shall not be indicative of a defect.
- 4.9 This warranty represents the entire agreement between parties in relation to its subject matter and supersedes any previous agreement whether written or oral between the parties in relation to its subject matter. The limited warranties state the entire liability of Longboard with respect to the products covered by them. The Company shall have no liability for any incidental or consequential damages. No person is authorized to make any representation or warranty on behalf of Longboard except as expressly set forth above, and any such statement shall not be binding on The Company. Except as expressly set forth above, Longboard makes no warranty of any kind, express or implied, including, without limitation, any implied warranty of merchantability or fitness for a particular purpose. Warranties shall be the duration of the limited warranty, or such shorter duration as provided under applicable local law. These limited warranties give you specific legal rights, and you may also have other rights which vary from area to area.
- 4.91 Nothing in this warranty shall be construed as a warranty of the workmanship of any installer or as imposing on Longboard any liability for unsatisfactory performance caused by faulty workmanship in installation.
- 4.92 It's agreed all parties involved that all claims and disputes relating to this agreement that cannot be settled through negotiation will try in good faith to first settle the dispute by mediation administered by the American Arbitration Association (Construction Industry Mediation Procedures) as a prelude to mandatory binding arbitration. Such binding arbitration is to be conducted and administered by the Construction Industry Arbitration Rules of the American Arbitration Association. Both seller and purchaser agree to share equally in the costs of both mediation and arbitration and that such binding arbitration will be the sole and final remedial action.
- 4.93 Required Maintenance. On an annual basis use a soft sponge or cloth, water and mild detergent, non-abrasive soap with the pH range of 5-9 to clean the powder coated area of dirt, grime and other debris. Pressure washing and the use of harsh detergents or chemicals is not recommended. Include in your maintenance records the following: date, time, specific products used, name of maintenance person and their designation, maintenance company name and general condition of the powder coated finish.

**I have read and agree to the terms of the Longboard® Product 15 year powder coated surface and 50 year aluminum extruded profile(s) warranty and acknowledge receipt of a copy of the Warranty Certificate.**

Name of owner or contractor:

Date:

Signature:



*Duly authorized on behalf of Longboard:*

Name and designation:

Date:

Signature:

**Warranty granted to (company name):**

Longboard Architectural Products Inc. ("Longboard," "The Company") products as identified by the Product Codes listed will conform to the standards set out in Clause 1 and Clause 2 of this Warranty, subject to the terms and conditions set out in Clause 3 and 4 of this Warranty.

Product codes: Product description:

<input type="text"/>	<input type="text"/>
<input type="text"/>	<input type="text"/>
<input type="text"/>	<input type="text"/>
<b>Finish:</b>	<input type="text"/>

<input type="text"/>	
<input type="text"/>	
<input type="text"/>	
<input type="text"/>	<input type="text"/>
<input type="text"/>	

**Clause 1**

**Extruded Aluminum Profile(s)**

Longboard expressly warrants that its product line is free from manufacturing defects in material or workmanship.

- 1.1 When siding is applied according to Longboard instructions and properly maintained, such product is guaranteed against the following:
- 1.2 Buckling: The product itself will be free of any buckling that is not associated with the substrate and/or structure to which the Longboard system is attached. For the purpose of this warranty, buckling shall be defined as warping of the product(s) exceeding one sixteenth of an inch out of plane per linear foot.
- 1.3 Corrosion: When applied according to Longboard instructions and properly maintained, such product is further guaranteed against rusting and corroding. Subject to the limitations set out in Clause 3 and 4.
- 1.4 What we will do: If, during the twenty (20) year Limited Warranty Period on the powder coating finish, the Product is defective in material or workmanship, Longboard will, in its sole discretion, either repair or replace the defective portion of the Product.
- 1.5 What we will do: If, during the 50-year Limited Warranty Period on the aluminum extruded profiles, the Product is defective in material or workmanship, Longboard will, in its sole discretion, either repair or replace the defective portion of the Product.
- 1.6 After the 20th year, this Limited Warranty on the powder coated finish will expire and shall no longer be applicable.
- 1.7 After the 50th year, this Limited Warranty on the aluminum extruded profile(s) will expire and shall no longer be applicable.
- 1.8 Longboard replacement of the defective Product or reimbursement of this Limited Warranty is the exclusive remedy for the Covered Person for any defect in materials or workmanship. The Company will not refund or pay any costs in connection with labor or accessory materials.

**Clause 2**

- 2.1 During the first twenty (20) years of this warranty:
- 2.2 Checking/Cracking: No visible checking or cracking of the product finish on the building.
- 2.3 Chalking Resistance: No chalking of the product finish on the building in excess of that represented by No.8 rating based on ASTM D4214.
- 2.4 Color Retention: No color change of the product finish on the building greater than 5 (five) CIE Lab ΔE units calculated in accordance with ASTM 2244 Section 6.3. Color change shall be measured on the exposed paint surface which has been cleaned of oil, grease, chalk, oxidized film or other contaminants, corresponding values shall be measured on the control panel.
- 2.5 Gloss Retention: Coated surface will exhibit gloss retention

of a minimum of 30% of the original. Gloss retention shall be measured on the exposed paint surface which has been cleaned of oil, grease, chalk, oxidized film or other contaminants, corresponding values shall be measured on the control panel.

- 2.6 Adhesion: Adhesion of product finish when initially applied to test panels and measured by reference to AAMA 2604-02 Clause 7.4.2 will show no removal of the film.

**Clause 3**

- 3.1 Warranty Terms and Conditions:
- 3.2 The "Warranty Period" for the warranties in Clause 1 shall mean fifty (50) years or for as long as the original "owner" and/or "purchaser" named above shall live and own the property on which the material was originally installed.
- 3.3 Clause 3: Shall mean twenty (20) years, commencing on the date of completion.
- 3.4 Registration of the product is required for the warranty to be in effect. This warranty is valid for the original purchaser and one other owner of the structure where the product(s) have been installed.
- 3.7 Normal atmospheric conditions exclude corrosive or aggressive atmospheres such as those contaminated with chemical fumes or other corrosive elements. The Aluminate Ultra finish is not meant for marine use on boats, ships or offshore platforms.

**Clause 4**

- 4.1 This warranty will not extend or cover:
- 4.2 Damages to the coated metal caused by handling, shipping, processing and/or installation; or
- 4.3 Damages to the coated metal caused by scratching or abrading after installation; or
- 4.4 Damages to the coated metal as a result of standing water in horizontal installations.
- 4.5 The warranty will not be applicable to damage or failure, which is caused by acts of God, falling objects, external forces, explosions, fire, riots, civil commotion's, acts of war, or other such similar or dissimilar occurrences beyond The Company's control.
- 4.6 Customer shall make available to The Company the dates of the installation of the coated metal, the maintenance records including details of washing and cleaning procedures in compliance with the annual cleaning requirements as stated in the Required Maintenance section of this warranty. Customers shall demonstrate that the failure of the coated metal was due to a breach of the warranty stated herein.
- 4.7 Claims must be made in writing to Longboard within 30 days of the discovery of a problem and authorization obtained prior to beginning any repair and/or refinishing work. The claimant must provide proof of coverage. Claims can be made by writing to Longboard at the Product Performance Department. After receiving such notice, The Company

must be given a reasonable opportunity to inspect and verify the claim.

- 4.8 Longboard exclusive liability under this warranty, or otherwise, will be limited to refinishing and/or repairing, at The Company's sole discretion, the defective powder coating. The warranty on any refinished, repaired or replaced coated metal supplied hereunder shall be for the remainder of the warranty period applicable to the originally coated metal. All warranty work will be performed by a company or contractor selected by Longboard. Color variance between refinished and/or repainted product and original shall not be indicative of a defect.
- 4.9 This warranty represents the entire agreement between parties in relation to its subject matter and supersedes any previous agreement whether written or oral between the parties in relation to its subject matter. The limited warranties state the entire liability of Longboard with respect to the products covered by them. The Company shall have no liability for any incidental or consequential damages. No person is authorized to make any representation or warranty on behalf of Longboard except as expressly set forth above, and any such statement shall not be binding on The Company. Except as expressly set forth above, Longboard makes no warranty of any kind, express or implied, including, without limitation, any implied warranty of merchantability or fitness for a particular purpose. Warranties shall be the duration of the limited warranty, or such shorter duration as provided under applicable local law. These limited warranties give you specific legal rights, and you may also have other rights which vary from area to area.
- 4.91 Nothing in this warranty shall be construed as a warranty of the workmanship of any installer or as imposing on Longboard any liability for unsatisfactory performance caused by faulty workmanship in installation.
- 4.92 It's agreed all parties involved that all claims and disputes relating to this agreement that cannot be settled through negotiation will try in good faith to first settle the dispute by mediation administered by the American Arbitration Association (Construction Industry Mediation Procedures) as a prelude to mandatory binding arbitration. Such binding arbitration is to be conducted and administered by the Construction Industry Arbitration Rules of the American Arbitration Association. Both seller and purchaser agree to share equally in the costs of both mediation and arbitration and that such binding arbitration will be the sole and final remedial action.
- 4.93 Required Maintenance. On an annual basis use a soft sponge or cloth, water and mild detergent, non-abrasive soap with the pH range of 5-9 to clean the powder coated area of dirt, grime and other debris. Pressure washing and the use of harsh detergents or chemicals is not recommended. Include in your maintenance records the following: date, time, specific products used, name of maintenance person and their designation, maintenance company name and general condition of the powder coated finish.

**I have read and agree to the terms of the Longboard® Product 20 year powder coated surface and 50 year aluminum extruded profile(s) warranty and acknowledge receipt of a copy of the Warranty Certificate.**

Name of owner or contractor:

Date:

Signature:



*Duly authorized on behalf of Longboard:*

Name and designation:

Date:

Signature: