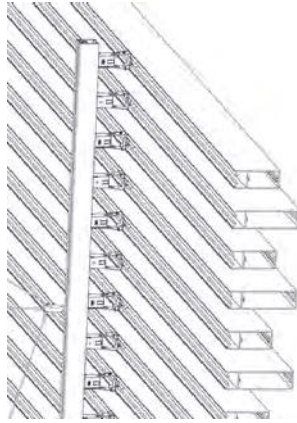


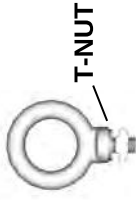
# DAUNTLESS CEILING SYSTEM

June 2022

## TYPICAL ISOMETRICS

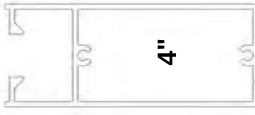
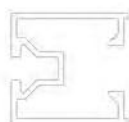


## EYEBOLT



T-NUT

## SINGLE RAIL



HANGER  
CLIP



BAFFLE END CAP



## PROFILES

1-5/8" X 4" & 6" - Standard Lengths: 24'

## COMPONENTS

1-1/2" Rail - Standard Lengths: 24'

Baffle Snap Cap - Standard Lengths: 12'

Eyebolts, Hanger, Baffle End Cap, Baffle

Spline - Units (1pc)

## FINISHES

Woodgrains, solid colors, naturally aged metals, special order. Custom solid color matching available (additional lead times apply).

## ATTACHMENT

Rail spacings to be calculated by design team to suit layout and project requirements, suspended from structure above (by others) \*refer to submittal package for load calculation data

1-1/2" Rail - Standard Lengths: 24'

Eyebolts - @ 4' O.C. (7 for 24' length)

Hanger, Baffle End Cap, Baffle Spline - Units (1pc)

## BIM & CAD

RVT & DWG files available, see website for details

## LEAD TIME

3-6 business days + shipping (subject to change).



**LONGBOARD**  
ARCHITECTURAL PRODUCTS

[info@longboardproducts.com](mailto:info@longboardproducts.com)

[longboardproducts.com](http://longboardproducts.com)

800 604 0343

## TECHNICAL SPECIFICATIONS

### PHYSICAL DATA

6063-T5 Extruded Aluminum

100% Recyclable

Warranty: Finish: 15 year (standard)/20 year\* (Ultra) (\*10 week lead time);

Aluminum: 50 year

Baffle Weight (lbs/lf): 1.3 (4"); 1.6 (6")

### TESTING

ICC-ES Evaluation Report - Division: 05 00 00 - METALS

- Section: 05 50 00 - Metal Fabrications

CAN/ULC S102

CAN/ULC S114

LARR - Los Angeles Department of Building Safety (LADBS) accepts ICC-ES reports as proof of compliance

Florida Product Code: FL20075

WUI (The Wildland-Urban Interface) — California Department of Forestry & Fire Protection Office of the State Fire Marshal Listing No. 8140-2286:0500



**Fire Rating:** Class A Non-Combustible by ASTM E136 & ASTM E84



**Acoustical Rating with insulation:** NRC up to 0.79



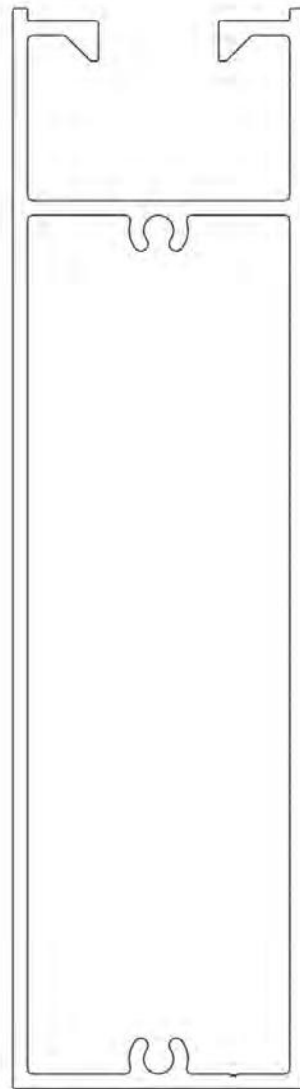
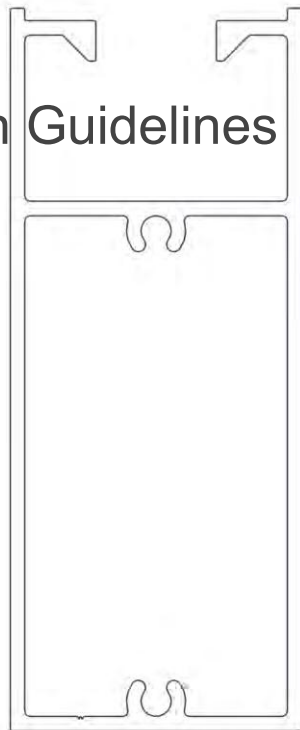
**Light reflectance (LRV):** Up to 73.2% (Ultra White)



**LONGBOARD®**  
ARCHITECTURAL PRODUCTS

# Dauntless Interior Ceiling System

Installation Guidelines



## Table of Contents

<b><u>Material Specifications</u></b>	<b><u>3</u></b>
Finishes	3
Material ordering and deliveries	3
Storage and handling	3
Cleaning	3
Warranty	3
<b><u>Components</u></b>	<b><u>4</u></b>
Components (Typical)	4
<b><u>Tools/Cutting/Fastening</u></b>	<b><u>5</u></b>
Tools	5
Cutting	5
Fastening	6
<b><u>System Install</u></b>	<b><u>7</u></b>
System layout	7
Perimeter areas and Drop Depths	7
Typical layout	7
Install Rail system	8-9
Install Beams	10-11
<b><u>Appendix</u></b>	<b><u>12</u></b>
Contact Info	12

## Material Specifications

### Finishes

- Longboard Products are available in a wide range of woodgrains and solid colors
- Custom solid colors are available upon request.

All Longboard Products are produced 1" (25mm) oversized, as one end is drilled for the coating process, and both ends have 1/2" (12mm) of masking tape (woodgrains only) which must be cut off for best results.

### Material Ordering & Delivery

- 
- **Packaging:** Dauntless Beams are sold in sizes of 1 5/8" x 4" & 6" x 24' lengths  
End caps are sold by the box: 20 caps/bx.
- 
- **Shipping:** Lead time is 3-6 business days\* + shipping (*\*subject to change*), delivered on 24' (7.3m) long skids weighing up to 2000 lbs. A mechanical lift with forks is required on site to receive the order.
- 
- **QC:** Always inspect the delivery for damage and contact LB ASAP if there are any issues: [info@longboardproducts.com](mailto:info@longboardproducts.com) or 1-800-604-0343 and include your PO# and any pictures if possible. Mark the delivery receipt as "damaged" and accept the delivery as-is. Longboard is not responsible for the installation of blemished or damaged material.

### Storage & Handling

Be sure to store the material flat, keep it dry, safe & secure and remain in unopened cartons until ready to be installed.

See **Appendix for proper handling and care instructions.**

### Cleaning Recommendations

While Longboard finishes require zero maintenance, we do recommend periodic cleaning to keep the product looking its best. Our finish is tested to withstand corrosion, fading and normal wear, however, neglect and rough conditions could have negative effects on the surface finish. Your Longboard products should be cleaned immediately after installation. See the cleaning guide for our suggestions based on soil level. Basic methods use a combination of moderate water pressure, soft sponge/brush, and a mild detergent.

See **Cleaning Guide for full requirements:** [longboardproducts.com](http://longboardproducts.com)

⚠ NEVER use aggressive acid or alkaline cleaners on Longboard finishes. Do not use cleaners containing Trisodium Phosphate, Phosphoric Acid, Hydrochloric Acid, Hydrofluoric Acid, Fluorides, or any other compound that is known to react with metal.

Always follow the product instructions for dilution. Cleaning the surface with a cleanser that is not diluted may result in damage to the coating.

### Warranty







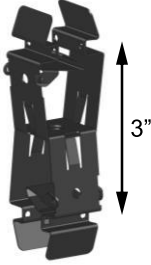




Upon substantial completion of the project, register for warranty online here: [longboardproducts.com/warranty](http://longboardproducts.com/warranty)

⚠ Registration is required for the warranty to be in effect.

## Components

### Components (Typical)








Longboard Dauntless Interior Ceiling System consists of a Beam, End Cap, Hanger, Rail, and Eyebolt. For all LB components go to [longboardproducts.com](http://longboardproducts.com).

 <p><b>4" Beam</b> 2X4CB.289</p>	 <p><b>6" Beam</b> 2X6CB.289</p>	 <p><b>Single Carrier Rail</b> Incl. Eyebolt w. T-Nut CBR.289</p>	 <p><b>Double Carrier Rail</b> Incl. Eyebolt w. T-Nut CBDR.289</p>
 <p><b>Side Carrier Rail</b> -For Hanger Bracket 2CBSR.289</p>	 <p><b>End Cap</b> 2BEC.4,6</p>	 <p><b>Hanger Clip</b> HC.3</p>	 <p><b>Spline Connector</b> with Set Screws BSCT.6</p> <p> 1/8" Allen Key (not included)</p>
 <p><b>Hanger Bracket</b> 2" typical, special order: 4", 6", 8", 10", 12" CBHB.2,4,6,8,10,12</p> <p> 3/16" Allen Key (not included)</p> <p>2" Typical</p>			

## Tools/Cutting/Fastening

### Tools

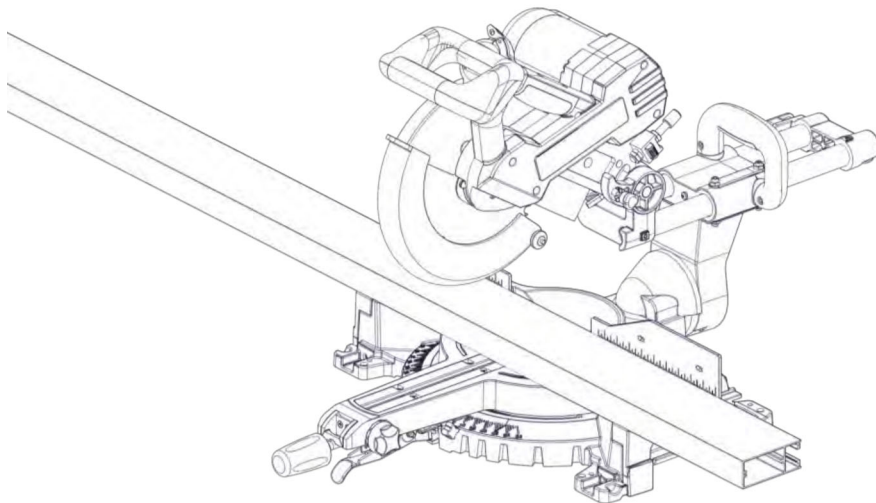
Commonly used tools for Dauntless install.

			
<p>Miter Saw with Carbide Metal Blade Non-Ferrous 60-80T (for aluminum)</p>	<p>Laser Level</p>	<p>Chalk Line or String Line</p>	<p>Tape Measure</p>
			
<p>Level</p>	<p>Rubber Mallet (or Hammer)</p>	<p>Paint Pen</p>	

### Cutting

⚠ Always be sure to wear appropriate PPE: eye & hearing protection.

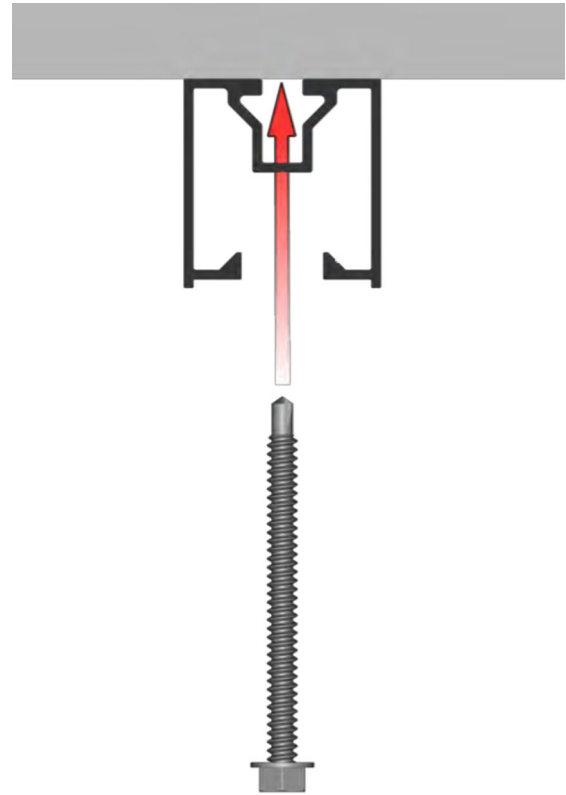
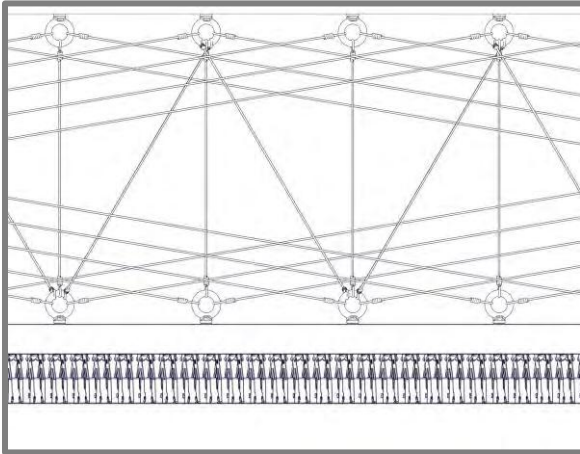
Cut girts using a Miter/Chop Saw to terminate to accurately measured distances between subsequent girts and area limitations.



### Fastening

Longboard Dauntless system consists of Beams attached to Rails which are hung from a structure above. Using Eyebolts, the Dauntless system can be suspended from the ceiling to the Rail system with wires or threaded rod (supplied by others). The Rails can also be attached directly to the ceiling or structure. The attachment from the Rail or Eyebolts are done by others.

⚠ All fasteners should be compatible with the substrate type. **Fasteners should be anchored into a solid secure framing member.**

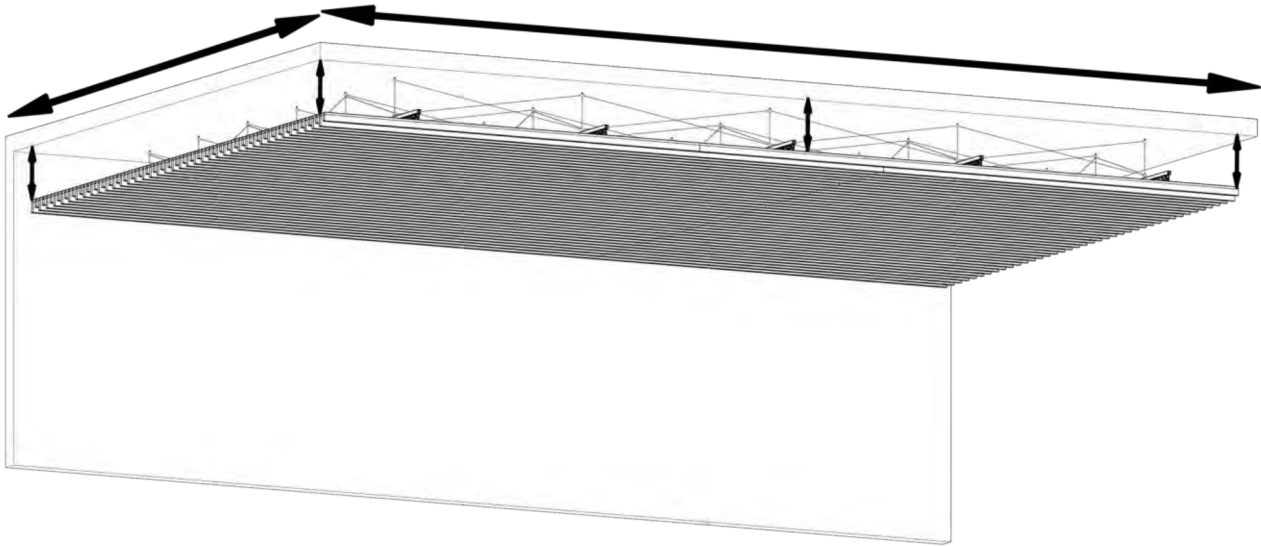


## System Install

### System layout

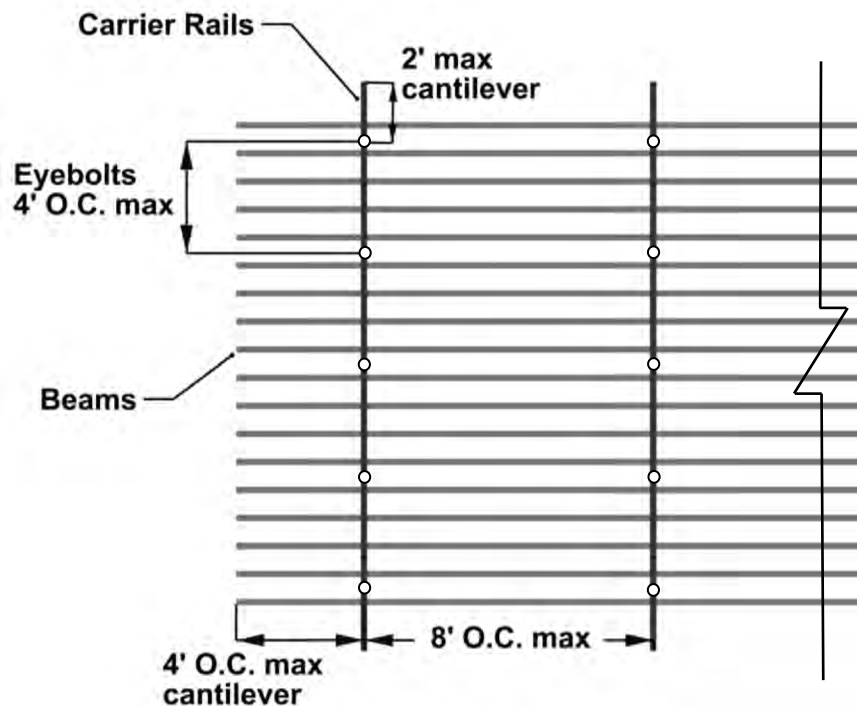
#### Perimeter area and drop depths

Measure and layout your ceiling system taking into consideration corners, bends and drop depths from ceiling. Make sure to mark and level out the drop depth of the Rails so they line up with the install of the Dauntless Beams.



#### Typical layout

- Carrier Rails @ 8' O.C. max spacings (2' max cantilever)
- Eyebolts @ 4' O.C. max spacings
- Hanger Clip placed at desired Beam spacing
- Must use at least two attachment points per Beam and Rail

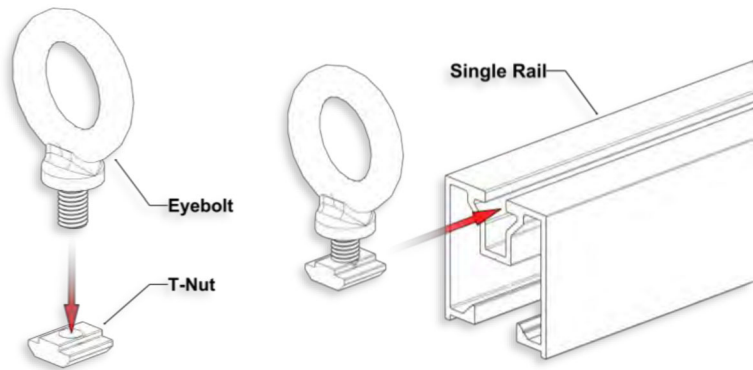




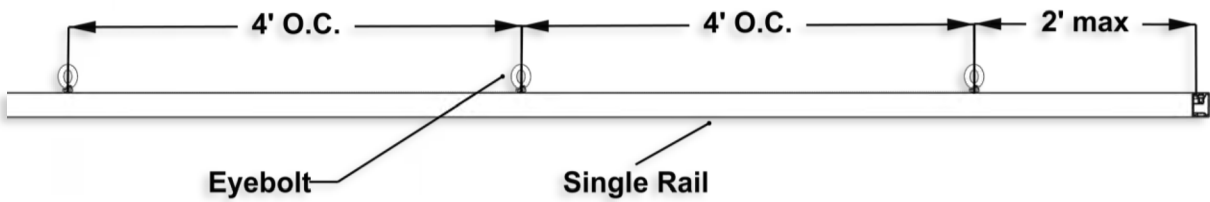
## Install Rail system

### Step 1 -Eyebolt Install

Measure and cut Rails for the required area. Measure and install Eyebolts every 4' O.C. max with a 2' max cantilever. Slide the Eyebolt and T-Nut onto each Rail and tighten the Eyebolt once in position.

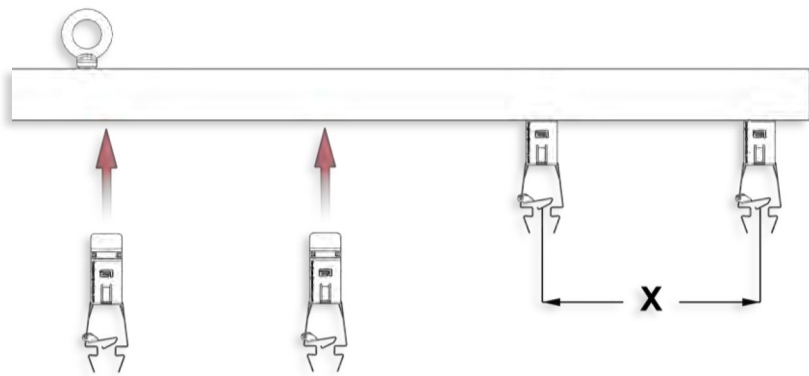


**⚠ Note:** Tighten Eyebolt all the way so it is not loose.

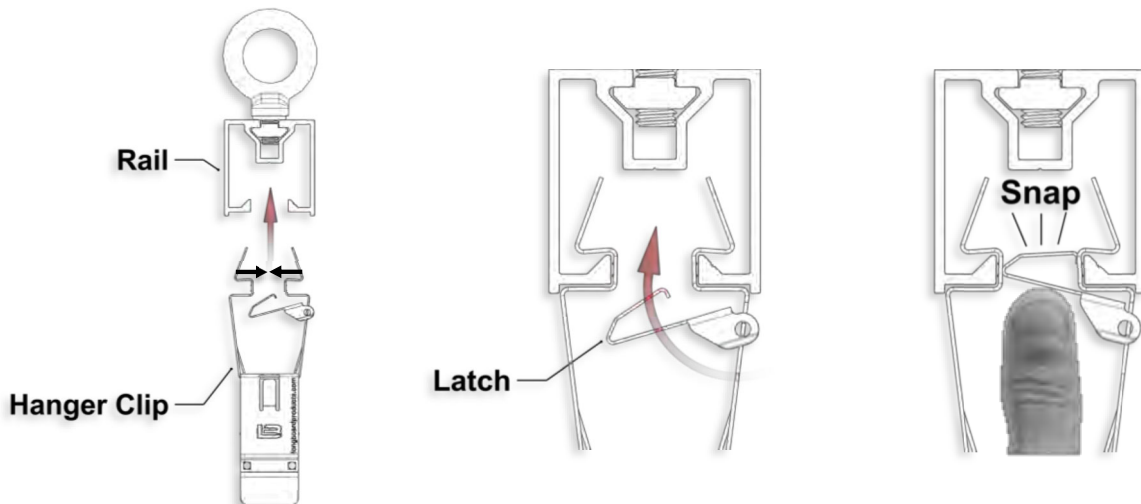


### Step 2 -Hanger Clip Install

Measure desired Beam spacings on the Rail (X) and install Hanger Clips as shown. The Hanger Clip is designed with a Latch that when pressed locks the Hanger Clip into place. Using thumb, press with pressure to snap the Latch into place. See images for details.

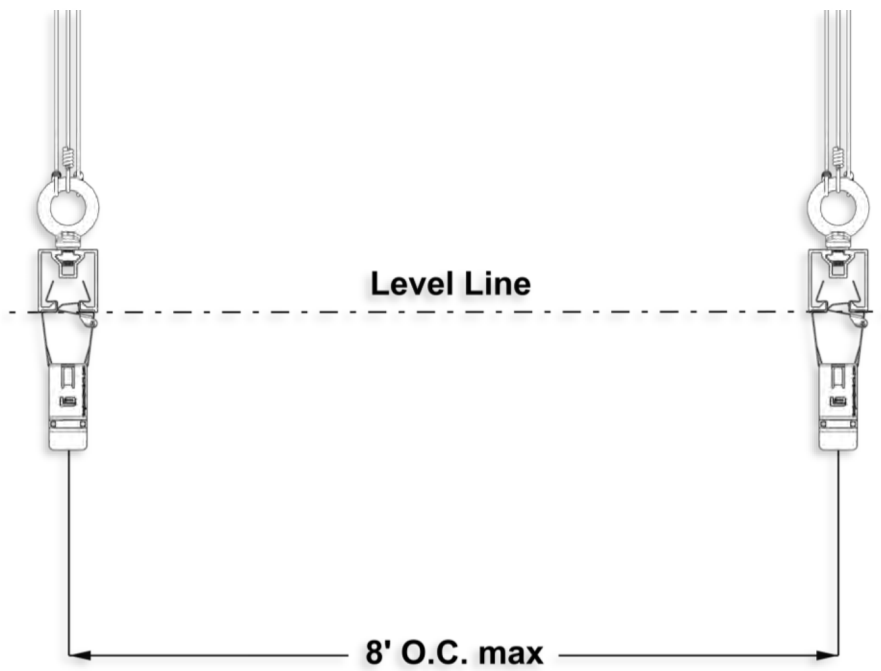
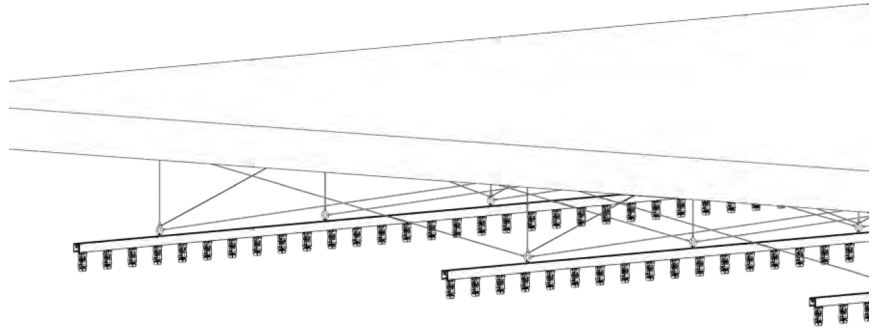


**⚠ Note:** The Hanger Clip is universal so it can be installed either end into the Rail or Beam.



### Step 3 -Rail Install

Install Rails with Hanger Clips onto ceiling structure with wires or Ready Rod. Make sure to level out the Rails so they are all plumb and straight.

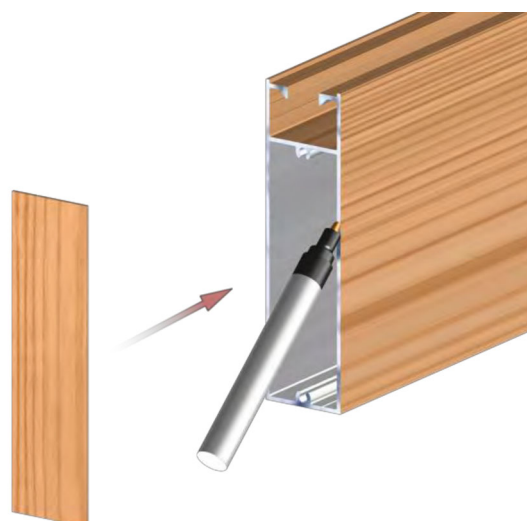


## Install Beams

### Step 4 -Beam Preparation

Measure and cut Beams for the required area.

Use a Paint Pen on the cut ends and install End Caps. End Caps are friction fit and if needed can be installed with a Rubber Mallet to protect the finish.



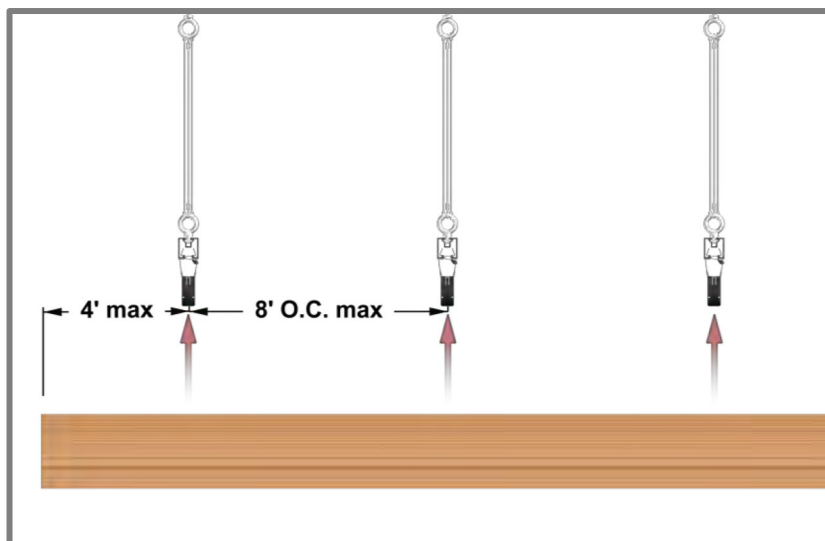
### Step 5 -Beam Install

Lift Beams into place onto the Hanger Clips previously installed on the Rails.

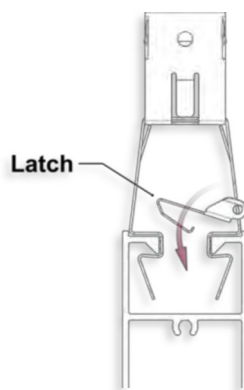
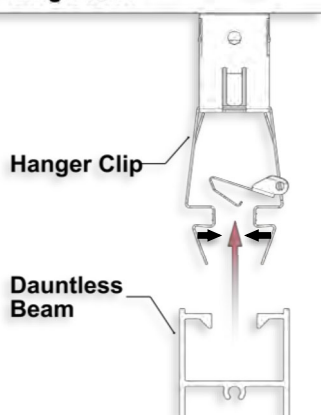
Using the Latch, snap the Beam into place for every hanger Clip along the length. Make sure to check that Beams are level, plumb and straight.

**⚠ Note:** Make sure every Hanger Clip is attached and snapped onto the Beam.

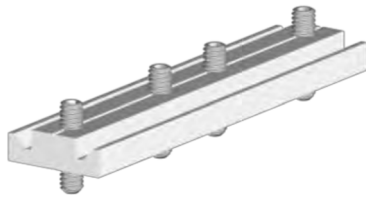
Repeat Steps 4 & 5 for the rest of the Beams.



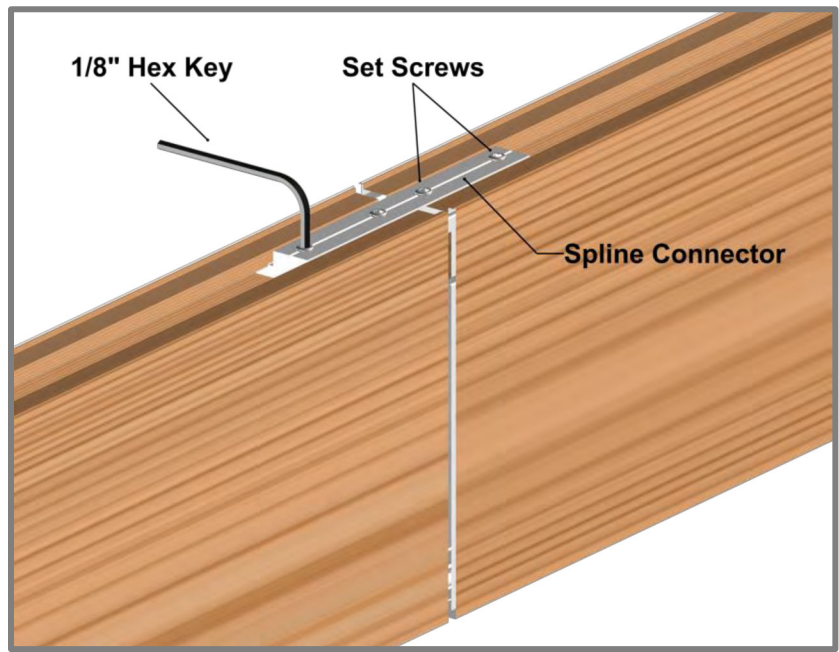
### Single Rail



Spline Connectors are used to connect Dauntless Beams together to achieve a seamless look for linear runs greater than 24'. A 1/8" Hex Key is used (by others) to tighten the Set Screws once in the desired position. Spline Connector and Set Screws are purchased separately.



**Spline Connector with Set Screws**





Longboard Architectural Products Inc.  
© Longboard Architectural Products Inc. All rights reserved.

Longboard® is a registered trademark of Longboard Architectural Products Inc.

Longboard  
1777 Clearbrook Road  
Abbotsford, BC V2T 8X8  
Canada  
[longboardproducts.com](http://longboardproducts.com)

Every effort has been made to ensure that the information in these installation guidelines is accurate. Longboard is not responsible for printing or clerical errors.

For more information, contact client care at [info@longboardproducts.com](mailto:info@longboardproducts.com) or call toll free 1-800-604-0343.

## Endura Tongue & Groove Planks

### V-Groove Planks

Size	12' *	24' †	12' Perf *	24' Perf †
2½"	3V.145	3V.289	3VP.145	3VP.289
4"	4V.145	4V.289	-	-
6"	6V.145	6V.289	6VP.145	6VP.289

### Smooth Planks

Size	12' *	24' †	12' Perf *	24' Perf †
6"	6PSP.145	6PSP.289	6PSPP.145	6PSPP.289

### Channel Planks

Size	12' *	24' †
6"	6CH.145	6CH.289

### Accessories

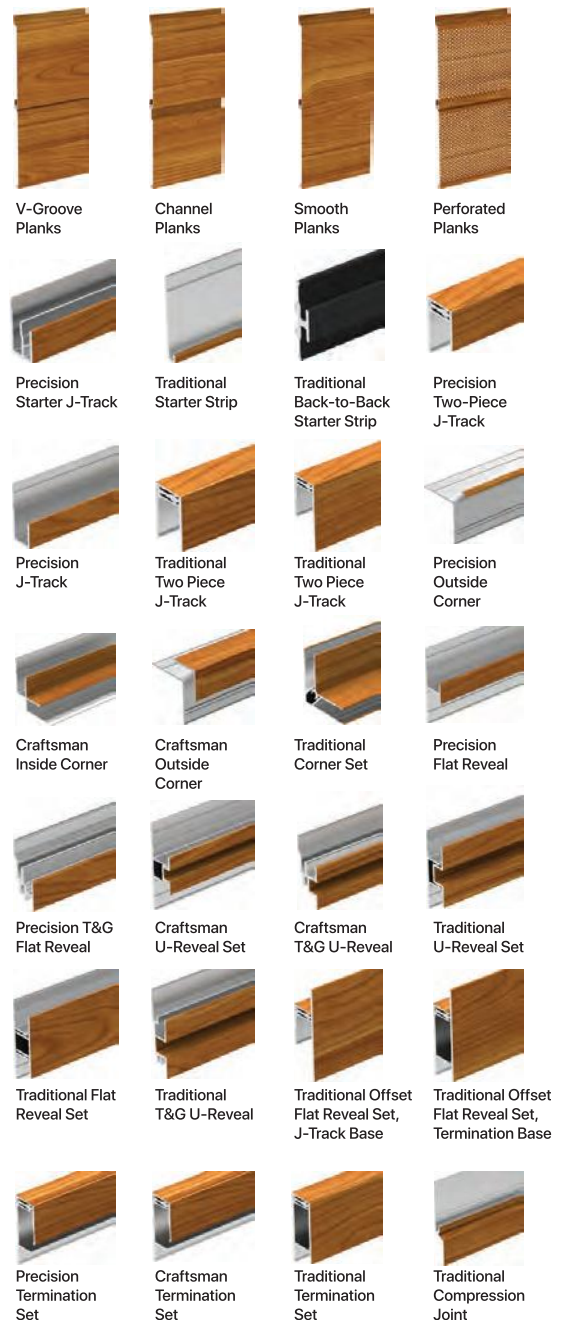
Product	Qty	SKU
<b>Quick Screen Clips</b>	1750, box	CLIP.N1750
<b>Quick Screen Clips</b>	100, bag	CLIP.N100
<b>Touch Up Pens</b> <i>Reach out to confirm color with account manager</i>	N/A	TUP

### Acoustical Soundtex® Scrim

Size	12' *	24' †
<b>6" V-Groove Plank</b>	6PSP.145	6PSP.289
<b>6" Smooth Plank</b>	6PSPPA.145	6PSPPA.289

### Component Trims

Type	Style	Product	Dimensions	SKU
<b>Starter</b>	Precision	Starter J-Track	(5/8") - 12'	1SJT.145
<b>Starter</b>	Traditional	Starter Strip	(1-7/8") - 12'	2SS.145
<b>Starter</b>	Traditional	Back-to-Back Starter Strip	(1-1/4") - 12'	2BTBSS.145
<b>J-Track</b>	Precision	Two Piece J-Track	(5/8") - 12'	1X1JT.145
<b>J-Track</b>	Precision	J-Track	(5/8") - 12'	1JT.145
<b>J-Track</b>	Craftsman	Two Piece J-Track	(7/8") - 12'	JT23S.145
<b>J-Track</b>	Traditional	Two Piece J-Track	(1-3/8") - 12'	1X2JT.145
<b>Corner</b>	Precision	Outside Corner	(3/16") - 12'	05OC.145
<b>Corner</b>	Craftsman	Inside Corner	(3/4") - 12'	1IC.145
<b>Corner</b>	Craftsman	Outside Corner	(1") - 12'	1OC.145
<b>Corner</b>	Traditional	Corner Set	(2") - 12'	2CORS.145
<b>Reveal</b>	Precision	Flat Reveal	(1/2") - 12'	1FR.145
<b>Reveal</b>	Precision	T&G Flat Reveal	(1/2") - 12'	1TGFR.145
<b>Reveal</b>	Craftsman	U-Reveal Set	(3/4") - 12'	1URS.145
<b>Reveal</b>	Craftsman	T&G U-Reveal	(3/4) - 12'	1TGURK.145
<b>Reveal</b>	Traditional	U-Reveal Set	(1-1/2") - 12'	2URS.145
<b>Reveal</b>	Traditional	Flat Reveal Set	(1-1/2") - 12'	2FRS.145
<b>Reveal</b>	Traditional	T&G U-Reveal	(1 1/2") - 12'	2TGURK.145
<b>Reveal</b>	Traditional	Offset Flat Reveal Set, J-Track Base	(2") - 12'	2OFFJ.145
<b>Reveal</b>	Traditional	Offset Flat Reveal Set, Termination Base	(2") - 12'	2OFFT.145
<b>Termination</b>	Precision	Termination Set	(5/8") - 12'	1TS.145
<b>Termination</b>	Craftsman	Termination Set	(7/8") - 12'	TS.145
<b>Termination</b>	Traditional	Termination Set	(1-3/8") - 12'	2TS.145
<b>Compression Joints</b>	Traditional	Compression Joint	(1-3/8") - 12'	2CJ.145



\* 48 sq. ft. box quantities † 96 sq. ft. box quantities

## Intrepid Link & Lock™ Battens

Size	12'	24'	End Caps (20/box)	End Mounts (20/box)	Mounting Accessories	Qty	SKU
2"	2X2LL.145	2X2LL.289	2LLEC.2	2LLEM.2	<b>Link &amp; Lock Mounting Clip</b>	48, bag	LLMC.N48
4"	2X4LL.145	2X4LL.289	2LLEC.4	2LLEM.4	<b>Dewalt® 1/2" Pilot Point Drill Bit</b>	1	DRILLBT.05
6"	2X6LL.145	2X6LL.289	2LLEC.6	2LLEM.6	<b>24" Link &amp; Lock Internal Stiffener</b>	1	LLSTIFF.289
8"	2X8LL.145	2X8LL.289	2LLEC.8	2LLEM.8	<b>3M® Double Sided Adhesive Tape - 108'</b>	1, roll	LLTAPE.1296



Link & Lock™ Batten

## Privacy Screen System

Size	Product	24'	End Caps (20/box)	Mounting Accessories	Qty	SKU
1x3"	Privacy Beam	1X3B.289	1BEC.3	<b>1x3" &amp; 1x5" Spacer Block</b>	100, box	2X2SB.N100
1x5"	Privacy Beam	1X5B.289	1BEC.5	<b>1x3" &amp; 1x5" Spacer Bar</b>	1	1X2FB.145
2x2"	Privacy Post	2X2SP.289	2X2PC.2	<b>1x3" Spacer Bar</b>	100, box	1X2FB.1
1x3"	Privacy Post	2X3DP.289	2X3PC.3	<b>1x5" Spacer Bar</b>	100, box	1X2FB.3
				<b>3" Mounting Bracket</b>	100, box	3PSMB.1
				<b>#10 Black Screws</b>	100, box	PECS.N100



Privacy Beam

## Dauntless System

Dimensions	Product	24'	End Caps (20/box)
1-5/8" x 4"	Beam	2X4CB.289	2BEC.4
1-5/8" x 6"	Beam	2X6CB.289	2BEC.6

### Hanger Bracket Mounting System

Product	Kind	Qty	SKU
<b>Side Rail</b>	24' Carrier Rail	1	2CBSR.289
<b>Beam Spine Connection Top</b>	Accessory	1	BSCT.6
<b>2" Hanger Bracket</b>	Bracket	1	CBHB.2
<b>4" Hanger Bracket</b>	Bracket	1	CBHB.4
<b>6" Hanger Bracket</b>	Bracket	1	CBHB.6
<b>8" Hanger Bracket</b>	Bracket	1	CBHB.8
<b>10" Hanger Bracket</b>	Bracket	1	CBHB.10
<b>12" Hanger Bracket</b>	Bracket	1	CBHB.12

### Clip Mounting System

Product	Kind	Qty	SKU
<b>Single Rail</b> <sup>A</sup>	24' Carrier Rail	1	CBR.289
<b>Double Rail</b> <sup>A</sup>	24' Carrier Rail	1	CBDR.289
<b>1-1/2" Single Hanger Clip</b>	Clip	20, box	HCS.2
<b>3" Hanger Clip</b>	Clip	20, box	HC.3
<b>Eye Bolt with T-Nuts</b>	Attachment	20, box	CBEB.N20

<sup>A</sup>Includes 7 Eye-Bolts with T-Nuts



Clip Assembly



Hanger Bracket Assembly

## Finishes

Woodgrain	15 Year Warranty	Woodgrain	15 Year Warranty	Solid Color	15 Year Warranty	Specialty	15 Year Warranty
<b>Birchwood</b>	15BWD	<b>Light Bamboo</b>	15LBB	<b>Black</b>	15BLA	<b>Anodic Ice</b>	15AIC
<b>Beechwood</b>	15BEE	<b>Light Cherry</b>	15LCY	<b>Bone White</b>	15BWH	<b>Biscotti</b>	15BIS
<b>Blonde Oak</b>	15BOK	<b>Light Fir</b>	15LFR	<b>Brick Red</b>	15BRD	<b>Burnt Sienna</b>	15BSN
<b>Dark Acacia</b>	15DAC	<b>Light National Walnut</b>	15LNW	<b>Charcoal</b>	15CHA	<b>Canyon Vista</b>	15CVI
<b>Dark Antique Oak</b>	15DOA	<b>Light Oak</b>	15LOK	<b>Chili Pepper</b>	15CHP	<b>Ceramic Clay</b>	15CCL
<b>Dark Bamboo</b>	15DBB	<b>National Mahogany</b>	15NMH	<b>Classic Bronze</b>	15CBZ	<b>Copper Penny</b>	15CPE
<b>Dark Cherry</b>	15DCY	<b>Sand Drift</b>	15SDR	<b>Dark Brown</b>	15DBR	<b>Moonstone</b>	15MOO
<b>Dark Fir</b>	15DFR	<b>Southern Yellow Pine</b>	15SYP	<b>Graphite</b>	15GRA	<b>Old Navy</b>	15ONA
<b>Dark Knotty Pine</b>	15DKP	<b>Table Walnut</b>	15TWL	<b>Medium Blue</b>	15MBL	<b>Platinum Ice</b>	15PIC
<b>Dark National Walnut</b>	15DNW	<b>Weathered Grey</b>	15WGY	<b>Slate Grey</b>	15SGR	<b>Venus</b>	15VEN
<b>Dark Walnut</b>	15DWL	<b>Western Cedar</b>	15WCD	<b>Ultra White</b>	15UWH		
<b>Italian Rosewood</b>	15IRW	<b>White Oak</b>	15WOK				
<b>Naturally Aged Metals</b>	15 Year Warranty						
<b>Carbon Mist</b>	15CMI						
<b>Molten</b>	15MOL						
<b>Smokey Topaz</b>	15STO						
<b>Toasted Mocha</b>	15TMO						

### Example of complete product SKU

6V.289.15DFR  
(Product.Length.Finish)

# Finish Options

We help you achieve your vision. Whether you're looking to create a space that offers the warmth of natural woodgrain or a modern industrialized aged metal, we have a finish option for you.

Require a custom finish or color? Our experienced color matching team can make it a reality.

Special order finishes may require additional production lead time or pricing.

- Interior Only
- Special Order
- High Gloss Finish
- Shimmer Finish
- Low Gloss Finish
- Terracota Finish

## Woodgrains



Dark Cherry



Light Cherry



Dark Fir



Light Fir



Dark National Walnut



Light National Walnut



Dark Walnut



Table Walnut



Western Cedar



Italian Rosewood



Dark Acacia



Dark Antique Oak



Dark Bamboo



Light Bamboo



Dark Knotty Pine



Light Oak



National Mahogany



White Oak



Weathered Gray



Blonde Oak



Southern Yellow Pine



Beechwood

## Solid Colors



Black



Bone White



Brick Red



Graphite



Charcoal



Classic Bronze



Medium Blue



Slate Gray



Chili Pepper



Ultra White



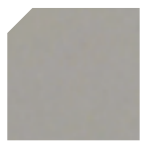
Ceramic Clay



Moonstone



Platinum Ice



Anodic Ice



Venus



Old Navy

## Naturally Aged Metals



Carbon Mist



Molten



Smokey Topaz



Toasted Mocha

## Others



Biscotti



Canyon Vista



Burnt Sienna



Copper Penny



**Warranty granted to (company name):**

Longboard Architectural Products Inc. ("Longboard," "The Company") products as identified by the Product Codes listed will conform to the standards set out in Clause 1 and Clause 2 of this Warranty, subject to the terms and conditions set out in Clause 3 and 4 of this Warranty.

Product codes: Product description:

<input type="text"/>	<input type="text"/>
<input type="text"/>	<input type="text"/>
<input type="text"/>	<input type="text"/>
<b>Finish:</b>	<input type="text"/>

<input type="text"/>	
<input type="text"/>	
<input type="text"/>	
<input type="text"/>	<input type="text"/>
<input type="text"/>	

**Clause 1**

**Extruded Aluminum Profile(s)**

Longboard expressly warrants that its product line is free from manufacturing defects in material or workmanship.

- 1.1 When siding is applied according to Longboard instructions and properly maintained, such product is guaranteed against the following:
- 1.2 Buckling: The product itself will be free of any buckling that is not associated with the substrate and/or structure to which the Longboard system is attached. For the purpose of this warranty, buckling shall be defined as warping of the product(s) exceeding one sixteenth of an inch out of plane per linear foot.
- 1.3 Corrosion: When applied according to Longboard instructions and properly maintained, such product is further guaranteed against rusting and corroding. Subject to the limitations set out in Clause 3 and 4.
- 1.4 What we will do: If, during the fifteenth (15th) year Limited Warranty Period on the powder coating finish, the Product is defective in material or workmanship, Longboard will, in its sole discretion, either repair or replace the defective portion of the Product.
- 1.5 What we will do: If, during the 50-year Limited Warranty Period on the aluminum extruded profiles, the Product is defective in material or workmanship, Longboard will, in its sole discretion, either repair or replace the defective portion of the Product.
- 1.6 After the 15th year, this Limited Warranty on the powder coated finish will expire and shall no longer be applicable.
- 1.7 After the 50th year, this Limited Warranty on the aluminum extruded profile(s) will expire and shall no longer be applicable.
- 1.8 Longboard replacement of the defective Product or reimbursement of this Limited Warranty is the exclusive remedy for the Covered Person for any defect in materials or workmanship. The Company will not refund or pay any costs in connection with labor or accessory materials.

**Clause 2**

- 2.1 During the first fifteen (15) years of this warranty:
- 2.2 Checking/Cracking: No visible checking or cracking of the product finish on the building.
- 2.3 Chalking Resistance: No chalking of the product finish on the building in excess of that represented by No.6 rating based on ASTM D4214.
- 2.4 Color Retention: No color change of the product finish on the building greater than 5 (five) CIE Lab ΔE units calculated in accordance with ASTM 2244 Section 6.3. Color change shall be measured on the exposed paint surface which has been cleaned of oil, grease, chalk, oxidized film or other contaminants, corresponding values shall be measured on the control panel.
- 2.5 Gloss Retention: Coated surface will exhibit gloss retention

of a minimum of 30% of the original. Gloss retention shall be measured on the exposed paint surface which has been cleaned of oil, grease, chalk, oxidized film or other contaminants, corresponding values shall be measured on the control panel.

- 2.6 Adhesion: Adhesion of product finish when initially applied to test panels and measured by reference to AAMA 2604-02 Clause 7.4.2 will show no removal of the film.

**Clause 3**

- 3.1 Warranty Terms and Conditions:
- 3.2 The "Warranty Period" for the warranties in Clause 1 shall mean fifty (50) years or for as long as the original "owner" and/or "purchaser" named above shall live and own the property on which the material was originally installed.
- 3.3 Clause 3: Shall mean fifteen (15) years, commencing on the date of completion.
- 3.4 Registration of the product is required for the warranty to be in effect. This warranty is valid for the original purchaser and one other owner of the structure where the product(s) have been installed.
- 3.7 Normal atmospheric conditions exclude corrosive or aggressive atmospheres such as those contaminated with chemical fumes or other corrosive elements. The product finish is not meant for marine use on boats, ships or offshore platforms.

**Clause 4**

- 4.1 This warranty will not extend or cover:
- 4.2 Damages to the coated metal caused by handling, shipping, processing and/or installation; or
- 4.3 Damages to the coated metal caused by scratching or abrading after installation; or
- 4.4 Damages to the coated metal as a result of standing water in horizontal installations.
- 4.5 The warranty will not be applicable to damage or failure, which is caused by acts of God, falling objects, external forces, explosions, fire, riots, civil commotion's, acts of war, or other such similar or dissimilar occurrences beyond The Company's control.
- 4.6 Customer shall make available to The Company the dates of the installation of the coated metal, the maintenance records including details of washing and cleaning procedures in compliance with the annual cleaning requirements as stated in the Required Maintenance section of this warranty. Customers shall demonstrate that the failure of the coated metal was due to a breach of the warranty stated herein.
- 4.7 Claims must be made in writing to Longboard within 30 days of the discovery of a problem and authorization obtained prior to beginning any repair and/or refinishing work. The claimant must provide proof of coverage. Claims can be made by writing to Longboard at the Product Performance Department. After receiving such notice, The Company

must be given a reasonable opportunity to inspect and verify the claim.

- 4.8 Longboard exclusive liability under this warranty, or otherwise, will be limited to refinishing and/or repairing, at The Company's sole discretion, the defective powder coating. The warranty on any refinished, repaired or replaced coated metal supplied hereunder shall be for the remainder of the warranty period applicable to the originally coated metal. All warranty work will be performed by a company or contractor selected by Longboard. Color variance between refinished and/or repainted product and original shall not be indicative of a defect.
- 4.9 This warranty represents the entire agreement between parties in relation to its subject matter and supersedes any previous agreement whether written or oral between the parties in relation to its subject matter. The limited warranties state the entire liability of Longboard with respect to the products covered by them. The Company shall have no liability for any incidental or consequential damages. No person is authorized to make any representation or warranty on behalf of Longboard except as expressly set forth above, and any such statement shall not be binding on The Company. Except as expressly set forth above, Longboard makes no warranty of any kind, express or implied, including, without limitation, any implied warranty of merchantability or fitness for a particular purpose. Warranties shall be the duration of the limited warranty, or such shorter duration as provided under applicable local law. These limited warranties give you specific legal rights, and you may also have other rights which vary from area to area.
- 4.91 Nothing in this warranty shall be construed as a warranty of the workmanship of any installer or as imposing on Longboard any liability for unsatisfactory performance caused by faulty workmanship in installation.
- 4.92 It's agreed all parties involved that all claims and disputes relating to this agreement that cannot be settled through negotiation will try in good faith to first settle the dispute by mediation administered by the American Arbitration Association (Construction Industry Mediation Procedures) as a prelude to mandatory binding arbitration. Such binding arbitration is to be conducted and administered by the Construction Industry Arbitration Rules of the American Arbitration Association. Both seller and purchaser agree to share equally in the costs of both mediation and arbitration and that such binding arbitration will be the sole and final remedial action.
- 4.93 Required Maintenance. On an annual basis use a soft sponge or cloth, water and mild detergent, non-abrasive soap with the pH range of 5-9 to clean the powder coated area of dirt, grime and other debris. Pressure washing and the use of harsh detergents or chemicals is not recommended. Include in your maintenance records the following: date, time, specific products used, name of maintenance person and their designation, maintenance company name and general condition of the powder coated finish.

**I have read and agree to the terms of the Longboard® Product 15 year powder coated surface and 50 year aluminum extruded profile(s) warranty and acknowledge receipt of a copy of the Warranty Certificate.**

Name of owner or contractor:

Date:

Signature:



*Duly authorized on behalf of Longboard:*

Name and designation:

Date:

Signature:

**Warranty granted to (company name):**

Longboard Architectural Products Inc. ("Longboard," "The Company") products as identified by the Product Codes listed will conform to the standards set out in Clause 1 and Clause 2 of this Warranty, subject to the terms and conditions set out in Clause 3 and 4 of this Warranty.

Product codes: Product description:


Finish:

Contractor/owner	
Project name	
Project address	
Address 2	Date of completion
Product on jobsite	

**Clause 1**

**Extruded Aluminum Profile(s)**

Longboard expressly warrants that its product line is free from manufacturing defects in material or workmanship.

- 1.1 When siding is applied according to Longboard instructions and properly maintained, such product is guaranteed against the following:
- 1.2 Buckling: The product itself will be free of any buckling that is not associated with the substrate and/or structure to which the Longboard system is attached. For the purpose of this warranty, buckling shall be defined as warping of the product(s) exceeding one sixteenth of an inch out of plane per linear foot.
- 1.3 Corrosion: When applied according to Longboard instructions and properly maintained, such product is further guaranteed against rusting and corroding. Subject to the limitations set out in Clause 3 and 4.
- 1.4 What we will do: If, during the twenty (20) year Limited Warranty Period on the powder coating finish, the Product is defective in material or workmanship, Longboard will, in its sole discretion, either repair or replace the defective portion of the Product.
- 1.5 What we will do: If, during the 50-year Limited Warranty Period on the aluminum extruded profiles, the Product is defective in material or workmanship, Longboard will, in its sole discretion, either repair or replace the defective portion of the Product.
- 1.6 After the 20th year, this Limited Warranty on the powder coated finish will expire and shall no longer be applicable.
- 1.7 After the 50th year, this Limited Warranty on the aluminum extruded profile(s) will expire and shall no longer be applicable.
- 1.8 Longboard replacement of the defective Product or reimbursement of this Limited Warranty is the exclusive remedy for the Covered Person for any defect in materials or workmanship. The Company will not refund or pay any costs in connection with labor or accessory materials.

**Clause 2**

- 2.1 During the first twenty (20) years of this warranty:
- 2.2 Checking/Cracking: No visible checking or cracking of the product finish on the building.
- 2.3 Chalking Resistance: No chalking of the product finish on the building in excess of that represented by No.8 rating based on ASTM D4214.
- 2.4 Color Retention: No color change of the product finish on the building greater than 5 (five) CIE Lab ΔE units calculated in accordance with ASTM 2244 Section 6.3. Color change shall be measured on the exposed paint surface which has been cleaned of oil, grease, chalk, oxidized film or other contaminants, corresponding values shall be measured on the control panel.
- 2.5 Gloss Retention: Coated surface will exhibit gloss retention

of a minimum of 30% of the original. Gloss retention shall be measured on the exposed paint surface which has been cleaned of oil, grease, chalk, oxidized film or other contaminants, corresponding values shall be measured on the control panel.

- 2.6 Adhesion: Adhesion of product finish when initially applied to test panels and measured by reference to AAMA 2604-02 Clause 7.4.2 will show no removal of the film.

**Clause 3**

- 3.1 Warranty Terms and Conditions:
- 3.2 The "Warranty Period" for the warranties in Clause 1 shall mean fifty (50) years or for as long as the original "owner" and/or "purchaser" named above shall live and own the property on which the material was originally installed.
- 3.3 Clause 3: Shall mean twenty (20) years, commencing on the date of completion.
- 3.4 Registration of the product is required for the warranty to be in effect. This warranty is valid for the original purchaser and one other owner of the structure where the product(s) have been installed.
- 3.7 Normal atmospheric conditions exclude corrosive or aggressive atmospheres such as those contaminated with chemical fumes or other corrosive elements. The Aluminate Ultra finish is not meant for marine use on boats, ships or offshore platforms.

**Clause 4**

- 4.1 This warranty will not extend or cover:
- 4.2 Damages to the coated metal caused by handling, shipping, processing and/or installation; or
- 4.3 Damages to the coated metal caused by scratching or abrading after installation; or
- 4.4 Damages to the coated metal as a result of standing water in horizontal installations.
- 4.5 The warranty will not be applicable to damage or failure, which is caused by acts of God, falling objects, external forces, explosions, fire, riots, civil commotion's, acts of war, or other such similar or dissimilar occurrences beyond The Company's control.
- 4.6 Customer shall make available to The Company the dates of the installation of the coated metal, the maintenance records including details of washing and cleaning procedures in compliance with the annual cleaning requirements as stated in the Required Maintenance section of this warranty. Customers shall demonstrate that the failure of the coated metal was due to a breach of the warranty stated herein.
- 4.7 Claims must be made in writing to Longboard within 30 days of the discovery of a problem and authorization obtained prior to beginning any repair and/or refinishing work. The claimant must provide proof of coverage. Claims can be made by writing to Longboard at the Product Performance Department. After receiving such notice, The Company

must be given a reasonable opportunity to inspect and verify the claim.

- 4.8 Longboard exclusive liability under this warranty, or otherwise, will be limited to refinishing and/or repairing, at The Company's sole discretion, the defective powder coating. The warranty on any refinished, repaired or replaced coated metal supplied hereunder shall be for the remainder of the warranty period applicable to the originally coated metal. All warranty work will be performed by a company or contractor selected by Longboard. Color variance between refinished and/or repainted product and original shall not be indicative of a defect.
- 4.9 This warranty represents the entire agreement between parties in relation to its subject matter and supersedes any previous agreement whether written or oral between the parties in relation to its subject matter. The limited warranties state the entire liability of Longboard with respect to the products covered by them. The Company shall have no liability for any incidental or consequential damages. No person is authorized to make any representation or warranty on behalf of Longboard except as expressly set forth above, and any such statement shall not be binding on The Company. Except as expressly set forth above, Longboard makes no warranty of any kind, express or implied, including, without limitation, any implied warranty of merchantability or fitness for a particular purpose. Warranties shall be the duration of the limited warranty, or such shorter duration as provided under applicable local law. These limited warranties give you specific legal rights, and you may also have other rights which vary from area to area.
- 4.91 Nothing in this warranty shall be construed as a warranty of the workmanship of any installer or as imposing on Longboard any liability for unsatisfactory performance caused by faulty workmanship in installation.
- 4.92 It's agreed all parties involved that all claims and disputes relating to this agreement that cannot be settled through negotiation will try in good faith to first settle the dispute by mediation administered by the American Arbitration Association (Construction Industry Mediation Procedures) as a prelude to mandatory binding arbitration. Such binding arbitration is to be conducted and administered by the Construction Industry Arbitration Rules of the American Arbitration Association. Both seller and purchaser agree to share equally in the costs of both mediation and arbitration and that such binding arbitration will be the sole and final remedial action.
- 4.93 Required Maintenance. On an annual basis use a soft sponge or cloth, water and mild detergent, non-abrasive soap with the pH range of 5-9 to clean the powder coated area of dirt, grime and other debris. Pressure washing and the use of harsh detergents or chemicals is not recommended. Include in your maintenance records the following: date, time, specific products used, name of maintenance person and their designation, maintenance company name and general condition of the powder coated finish.

**I have read and agree to the terms of the Longboard® Product 20 year powder coated surface and 50 year aluminum extruded profile(s) warranty and acknowledge receipt of a copy of the Warranty Certificate.**

Name of owner or contractor:

Date:

Signature:



*Duly authorized on behalf of Longboard:*

Name and designation:

Date:

Signature: