

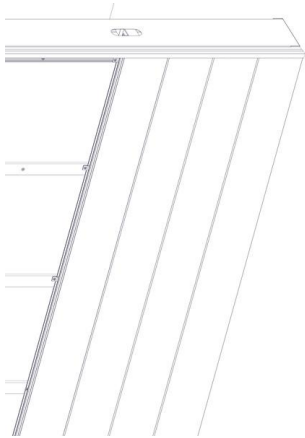
TONGUE & GROOVE

CLADDING SYSTEM

March 2023



TYPICAL ISOMETRIC



PROFILES

V-Groove: 2-1/2", 4", 6"
Smooth: 6"
Channel: 6"
Standard Lengths: 24'
96 SQ FT/box

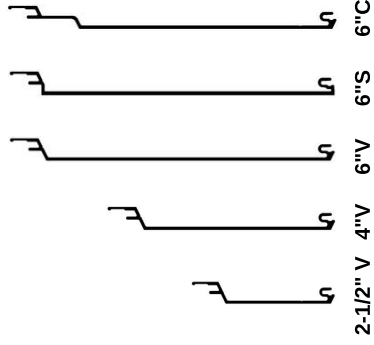
COMPONENTS - Standard Lengths: 12'

Traditional: Starter Strip, Back-to-Back Starter Strip, 2" Corner Set, 1-3/8" Two Piece J-Track, 1-3/8" Termination Set, Compression Joint (24), 1-1/2" Flat Reveal Set, 1-1/2" U-Reveal Set, 1-1/2" T&G U-Reveal, 2" Offset Flat Reveal

Craftsman: 3/4" Inside Corner, 1" Outside Corner, 3/4" U-Reveal Set, 3/4" T&G U-Reveal

Precision: 5/8" Starter J-Track, 3/16" Outside Corner, 5/8" J-Track, 5/8" Two Piece J-Track, 5/8" Termination Set, 1/2" Flat Reveal, 1/2" T&G Flat Reveal

T&G_JS_RB_V3



FINISHES
Woodgrains, solid color, naturally aged metal, custom solid colour matching (additional lead times apply)

ATTACHMENT

Planks: Quick-screen clips w. #8 screws* @ 32" o.c. (standard).
Quick-screen clips included: 135 pcs/4" box, 90 pcs/6" box.
Trims: hard fasten w. #8 screws* @ 16" o.c. *Screws not included.

BIM & CAD
RVT & DWG files available, see website for details

LEAD TIME
3-6 business days + shipping (subject to change)



info@longboardproducts.com
longboardproducts.com
800 604 0343

TECHNICAL SPECIFICATIONS

PHYSICAL DATA

6063-T5 Extruded Aluminum
100% Recyclable
Warranty: Finish: 15 year (standard)/20 year* (Ultra) (*10 week lead time);
Aluminum: 50 year
Weight (lbs/sqft): ~1.5

TESTING

ICC-ES Evaluation Report - Division: 07 00 00 Thermal and Moisture Protection
Section: 07 46 00 - Siding

AAMA 509 Rainscreen: W1, V2

LARR - Los Angeles Department of Building Safety (LADBS) accepts ICC-ES reports as proof of compliance

Florida Product Code: FL20075

Miami Dade, Florida, Notice of Acceptance (NOA): NOA No. 22-0209.01
-Expiration Date: January 26, 2028

Impact testing: TAS 201

WUI (The Wildland-Urban Interface) – California Department of Forestry & Fire Protection Office of the State Fire Marshal Listing No. 8140-2286-0500



Fire Rating: Class A Non-Combustible by ASTM E136 & ASTM E84 ; A2-s1,d0 by EN 13501-1



Light Reflectance: 5% (Black) up to 73.2% (Ultra White)



Wind load: Up to 121 psf (5794 Pa) TAS 202, TAS 203



LONGBOARD®
ARCHITECTURAL PRODUCTS

Tongue and Groove Cladding

Installation Guidelines

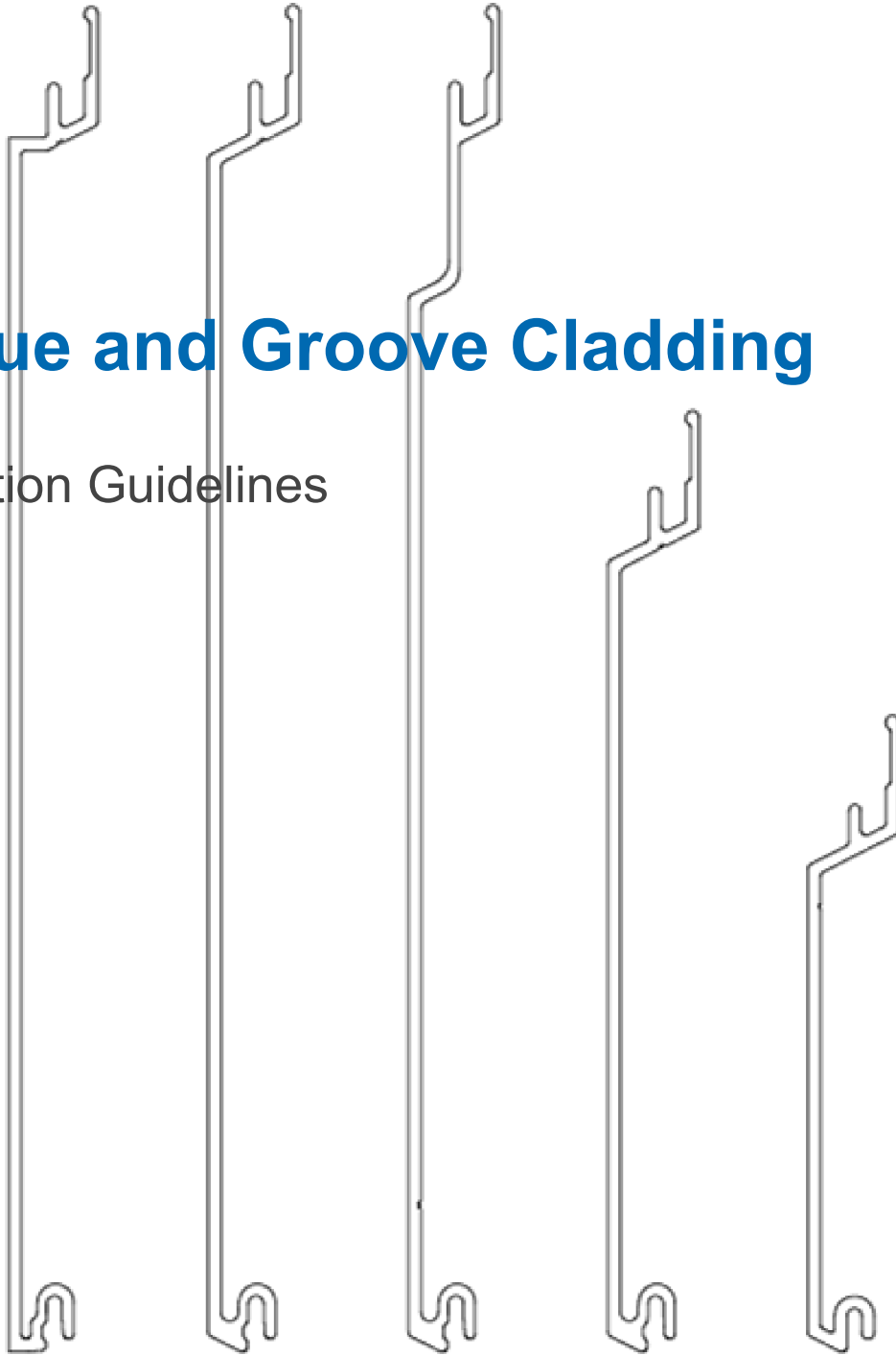


Table of Contents

Material Specifications	3
Finishes	3
Material ordering and deliveries	3
Storage and handling	3
Cleaning Recommendations	3
Warranty	3
Graffiti Removal	4
Components	5
Components (Typical)	5
Tools/Cutting/Fastening	6
Tools	6
Cutting	6
Fastening	7
Fastener types	7
Fastening options onto exterior insulation	7
Framing requirements	8
Furring recommendations	8
Expansion and Contraction	9
System Install	10
Perimeter area and field limitations	10
Component layout	11
Corners	11
J-Track, Two-piece J-Track	11
Starter Strip, Back-to Back Starter	11
Reveal Sets	11
Compression Joint	11
Termination Set	11
Offset Flat Reveal	11
Install Steps	12
Horizontal Cladding	12-16
Vertical Cladding	17-21
Final Steps	22
Details	23
Butt-Joints	23-24
Floor elevations	25
Compression Joint	25
Through wall flashing	25
Expansion reveals	26
Appendix	27
Tables 1&2 - Expansion & contraction	27
Tables 3&4 – Quick Screen Clip/wind load -Planks	28
Tables 5&6 – Quick Screen Clip/wind load -Starter	29
Handling and care of products	30
Blank page	31
Contact Info	32

Material Specifications

Finishes

- Longboard Products are available in a wide range of powder coated finishes.
- Custom solid colors are available upon request.
- Longboard woodgrains have a repeat pattern, shipped in sets mated back-to-back in each box. Install these as they come out of the box, as an A&B pattern staggering each plank approx. 1-2' (305-610mm) from the previous plank to achieve a random pattern aesthetic. It is recommended to create an onsite mock-up to produce a suitable pattern.
- Longboard Products are not recommended for use on marine applications in direct contact with salt water.

Longboard Products are produced 1" (25mm) oversized, as one end is drilled for the coating process, and both ends have 1/2" (12mm) of masking tape (woodgrains only) which must be cut off for best results. Longboard Cladding is to be installed outboard of a weather resistant barrier, including all flashings, following code, and building requirements.

Material Ordering & Delivery

- | | |
|--------------|---|
| • Packaging: | Planks are sold in box quantities:
6" Planks: 96 SQ FT/Box (8/24's) w. 90pcs Quick-Screen Clips included
4" V-Groove: 96 SQ FT/Box (12/24's) w. 135 Quick-Screen Clips included
2 1/2" V-Groove: 20 SQ FT/Box (8/12's, 96 LF) w. 45 Quick-Screen Clips included
Components are sold individually by the 12' (3.7m) length. |
| • Shipping: | Lead time is 3-6 business days* + shipping (<i>*subject to change</i>), delivered on 24' (7.3m) long skids weighing up to 2000 lbs. A mechanical lift with forks is required on site to receive the order. |
| • QC: | Always inspect the delivery for damage and contact LB ASAP if there are any issues: info@longboardproducts.com or 1-800-604-0343 and include your PO# and any pictures if possible. Mark the delivery receipt as "damaged" and accept the delivery as-is. Longboard is not responsible for the installation of blemished or damaged material. |

Storage & Handling

Be sure to store the material flat, keep it dry, safe & secure and remain in unopened cartons until ready to be installed. **See Appendix for proper handling and care instructions.**

Cleaning Recommendations

- Initial and periodic cleaning for best looking product
- Basic methods use a combination of moderate water pressure, soft sponge/brush and a mild detergent (Safe for your hands, safe for the product)

⚠ NEVER use aggressive acid or alkaline cleaners on Longboard finishes. Do not use cleaners containing Trisodium Phosphate, Phosphoric Acid, Hydrochloric Acid, Hydrofluoric Acid, Fluorides, or any other compound that is known to react with metal.

***See Cleaning Guide for full requirements & cleaning schedule:**
longboardproducts/resources/care-maintenance.com

Warranty

Upon substantial completion of the project, register for warranty online here: longboardproducts.com/warranty



⚠ Registration is required for the warranty to be in effect.

Graffiti Removal

Standard Woodgrain
 Use Standard soap & water only

D2000 Solid Color


	Prosoco Cleaner	MEK Solvent
Permanent Marker	<input checked="" type="checkbox"/>	<input checked="" type="checkbox"/>
Oil Based Spray Paint	<input checked="" type="checkbox"/>	<input checked="" type="checkbox"/>
Water Based Spray Paint	<input checked="" type="checkbox"/>	<input checked="" type="checkbox"/>
Adhesive Tape	<input checked="" type="checkbox"/>	<input checked="" type="checkbox"/>

 MEK Solvent
 Prosoco Anti-Graffiti Cleaner

SPECIAL ORDER - EXT. LEAD TIMES CONTACT LB

Anti-Graffiti High Gloss Woodgrain

	MEK Solvent
Permanent Marker	<input checked="" type="checkbox"/>
Oil Based Spray Paint	<input checked="" type="checkbox"/>
Water Based Spray Paint	<input checked="" type="checkbox"/>
Adhesive Tape	<input checked="" type="checkbox"/>

 MEK Solvent

Note: Cleaning the surface with a cleanser that is not diluted as per instructions, may result in damage to the coating.

Components

Components (Typical)

T&G Cladding system consists of many components used in conjunction with each other to create a seamless look. For all LB components go to longboardproducts.com.

V-Groove Planks

Size	12' *	24' *	12' Perf *	24' Perf *
2 1/2"	3V.145	3V.289	3VP.145	3VP.289
4"	4V.145	4V.289	-	-
6"	6V.145	6V.289	6VP.145	6VP.289

Smooth Planks

Size	12' *	24' *	12' Perf *	24' Perf *
6"	6PSP.145	6PSP.289	6PSP.145	6PSP.289

Channel Planks

Size	12' *	24' *
6"	6CH.145	6CH.289

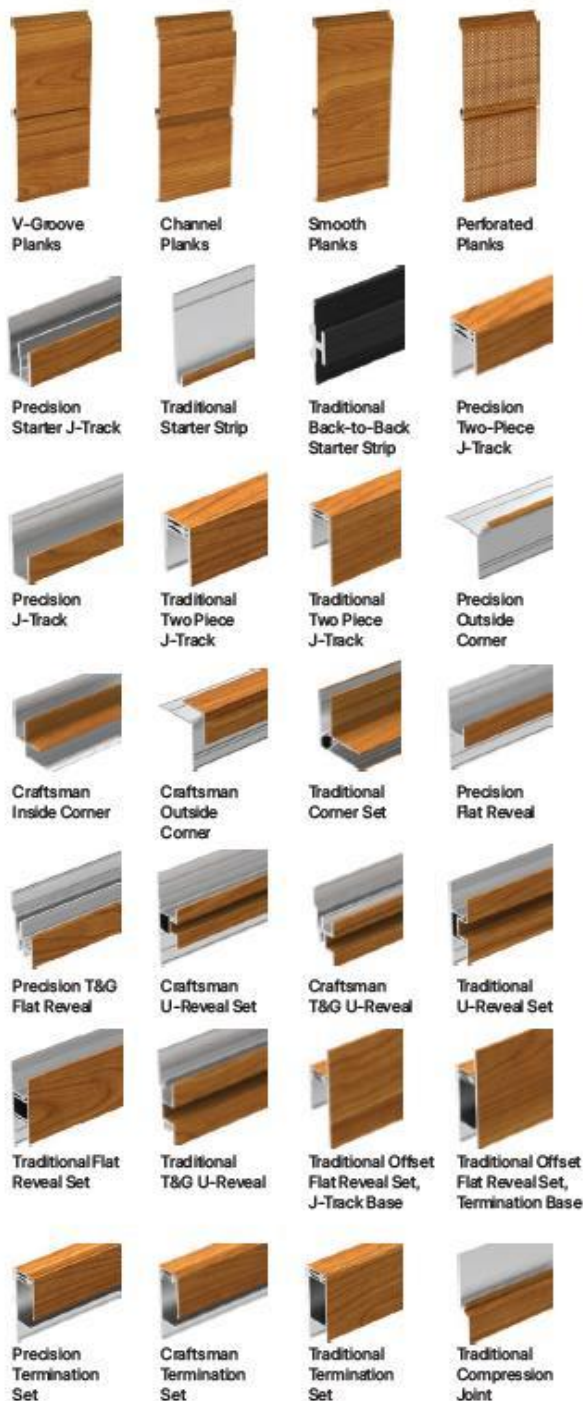
Accessories

Product	Qty	SKU
Quick Screen Clips	1750, box	CLJP.N1750
Quick Screen Clips	100, bag	CLJP.N100
Touch Up Pens <i>Reach out to confirm color with account manager.</i>	N/A	TUP

Component Trims

Type	Style	Product	Dimensions	SKU
Starter	Precision	Starter J-Track	(5/8") - 12'	1SJT.145
Starter	Traditional	Starter Strip	(1-7/8") - 12'	2SS.145
Starter	Traditional	Back-to-Back Starter Strip	(1-1/4")	2BTSS.145
J-Track	Precision	Two Piece J-Track	(5/8") - 12'	1X1JT.145
J-Track	Precision	J-Track	(5/8") - 12'	1JT.145
J-Track	Craftsman	Two Piece J-Track	(7/8") - 12'	JT23S.145
J-Track	Traditional	Two Piece J-Track	(1-3/8") - 12'	1X2JT.145
Corner	Precision	Outside Corner	(3/16") - 12'	05OC.145
Corner	Craftsman	Inside Corner	(3/4") - 12'	1IC.145
Corner	Craftsman	Outside Corner	(1") - 12'	1OC.145
Corner	Traditional	Corner Set	(2") - 12'	2CORS.145
Reveal	Precision	Flat Reveal	(1/2") - 12'	1FR.145
Reveal	Precision	T&G Flat Reveal	(1/2") - 24'	1TGFR.289
Reveal	Craftsman	U-Reveal Set	(3/4") - 12'	1URS.145
Reveal	Craftsman	T&GU-Reveal	(3/4) - 24'	1TGURK.289
Reveal	Traditional	U-Reveal Set	(1-1/2") - 12'	2URS.145
Reveal	Traditional	Flat Reveal Set	(1-1/2") - 12'	2FRS.145
Reveal	Traditional	T&GU-Reveal	(1 1/2") - 24'	2TGURK.289
Reveal	Traditional	Offset Flat Reveal Set, J-Track Base	(2") - 12'	2OFFJ.145
Reveal	Traditional	Offset Flat Reveal Set, Termination Base	(2") - 12'	2OFFT.145
Termination	Precision	Termination Set	(5/8") - 12'	1TS.145
Termination	Craftsman	Termination Set	(7/8") - 12'	TS.145
Termination	Traditional	Termination Set	(1-3/8") - 12'	2TS.145
Compression Joints	Traditional	Compression Joint	(1-3/8") - 24'	2CJ.289


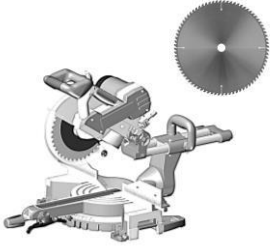



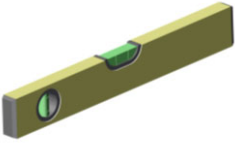


* 48 sq. ft. box quantities † 96 sq. ft. box quantities



Tools/Cutting/Fastening

Tools

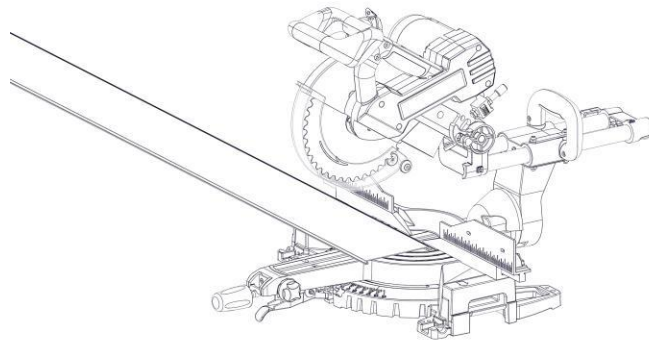
Commonly used tools for T&G Cladding install.

			
Table Saw with Carbide Metal Blade Non-ferrous 60-80T (for cutting aluminum)	Miter Saw with Carbide Metal Blade Non-ferrous 60-80T (for cutting aluminum)	Cordless Drill with clutch	Jig Saw (for protrusions)
			
Rubber Mallet (or Hammer)	Level	Hole Saw (for lighting fixtures)	#8 Pan Head Screws <small>*Length, thread and point to suit substrate</small>

Cutting

⚠ Always be sure to wear appropriate PPE: eye & hearing protection.

Cut planks using a Miter Saw and Table Saw, always allowing for expansion & contraction. Trim the taped/drilled ends of all stock length material by at least **1/2" (12mm) each end** and discard.



Fastening

Fasteners must be corrosion resistant and comply with all local building codes.

⚠️ All fasteners should be suitable for exterior use and be compatible with the substrate type. **Fasteners should be anchored into a solid secure framing member, blocking, furring, or strapping.** For vertical applications when the framing member is not available, install diagonal furring strips or horizontal metal strapping to securely fasten planks.

Perimeter components should be hard fastened every **16" (406mm) O.C.** directly through the flange using #8 pan-head screws (supplied by others). These components should be fastened within **8" (203mm)** of the end for secure fastening.

Planks & starter components are secured using Longboard **Quick-Screen Clips** fastened to the substrate every **32" (813mm) O.C.** using #8 pan-head screws (supplied by others). The Quick-Screen Clips are included in the order for 32" (813mm) spacings.

See **Appendix** for project specific fastener specs:

Quick Screen Clip - Wind Load Tables 3 & 4

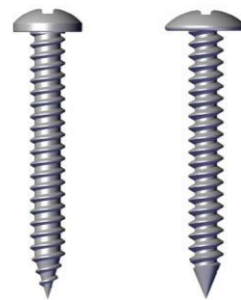
Fastener types

RECOMMENDED

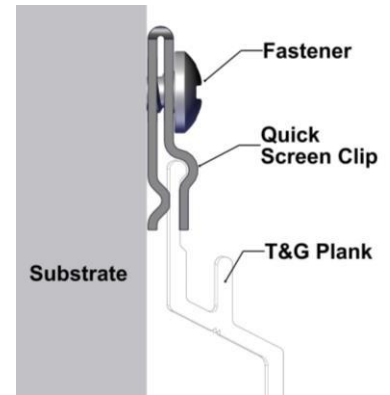
CORRECT

Pan-Head

Truss-Head



*Length, thread and point to suit substrate

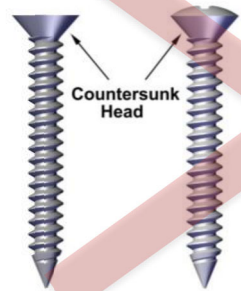


DO NOT USE

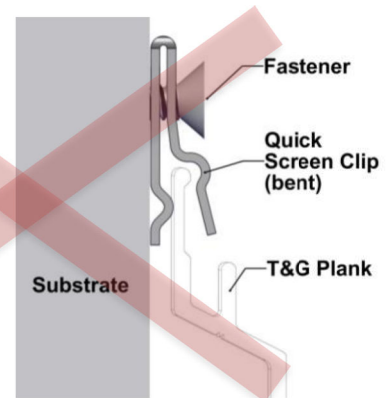
INCORRECT

Flat-Head

Oval-Head

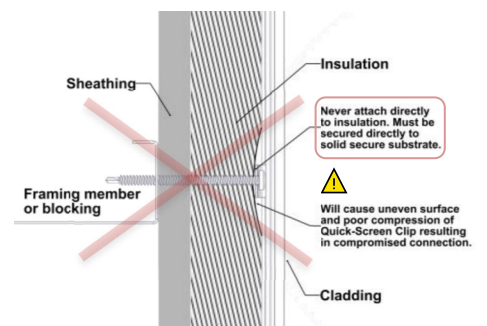
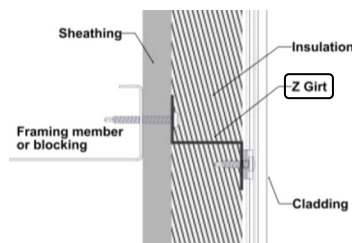
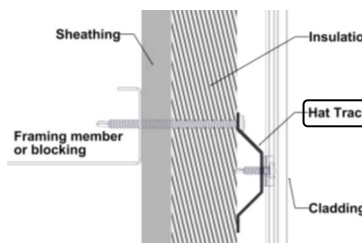
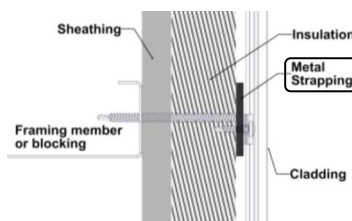
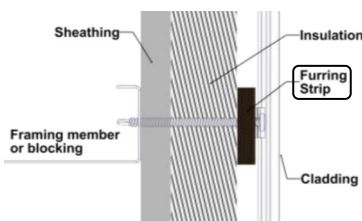


Countersunk Head



Fastening options onto exterior insulation

*Never direct to insulation. Must be secured directly to solid secure substrate.



Framing requirements

Always consult the local building authority and follow local building code requirements.

When attaching to **Hitch Cladding attachment System** refer to Hitch Install Guide for requirements.

Wood Framing

- Size: 2x4 minimum
- Spacing: see Appendix Table 3 & 4 for reference

Metal Framing

- Gauge: 20 ga. minimum (see Appendix Table 3 & 4 for reference)
- Spacing: see Appendix Table 3 & 4 for reference

Furring recommendations

Wood Furring

Attached back to wood or metal framing/blocking.

- Size: 3/8" minimum
- Spacing: See Appendix Table 3 & 4 for reference

Metal Furring/Strapping

Attached back to wood or metal framing/blocking.

- Size: 20 ga. minimum
- Spacing: See Appendix Table 3 & 4 for reference

Concrete/CMU

Wood or metal furring is recommended over concrete and CMU.

Wood Furring:

- Size: 2x2 minimum
- Type: Pressure treated lumber
- Spacing: See Appendix Table 3 & 4 for reference

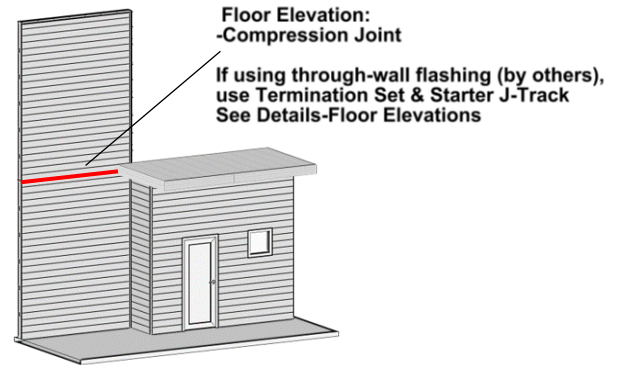
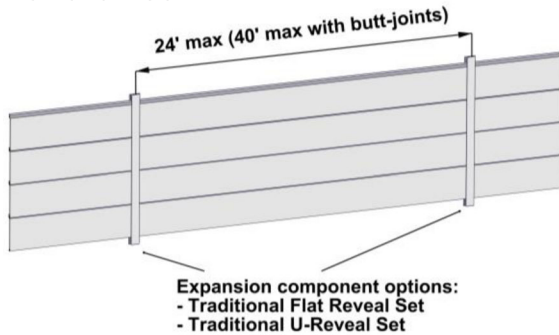
Metal Furring:

- Size: 20 ga. minimum (See Appendix Table 3 & 4 for reference)
- Type: Hat channel, Stud, or Z-Girt.
- Spacing: See Appendix Table 3 & 4 for reference

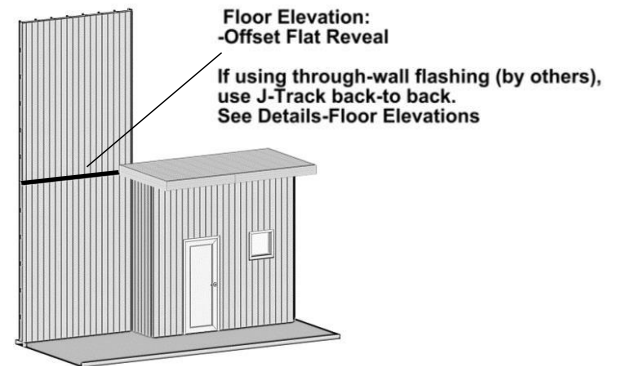
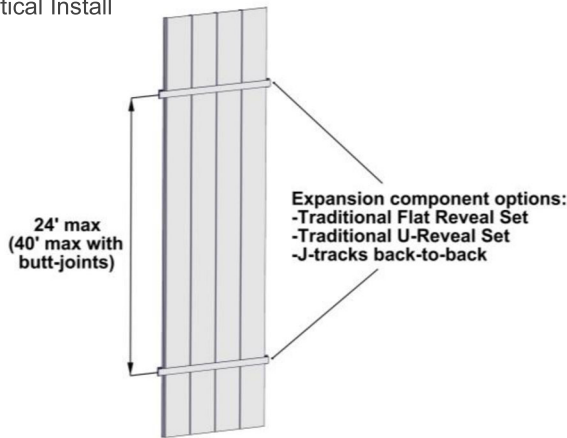
Expansion & Contraction

Planks & components expand & contract 1/4" (6mm) over 24' (7.3m), measured over a 30°C (54°F) temperature range. Due to this range of movement, the following expansion components should be installed. See pages 25 & 26.

Horizontal Install



Vertical Install

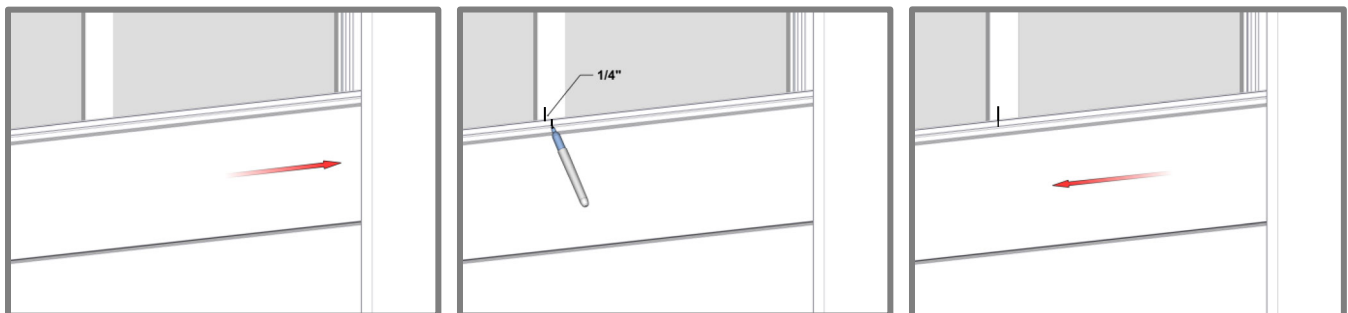


Other options (Perpendicular to Planks only)

- 12' (3.7m) max trim spacing -Craftsman U-Reveal Set
- 6' 8" (2m) max trim spacing -Precision Flat Reveal

When using expansion components, each plank must terminate into a minimum of one (1) component to allow for expansion & contraction. **See: Appendix for tables of expansion/contraction calculations per foot/meter.**

▲ TIP: To achieve expansion/contraction allowance, it is best practice to measure & mark for the adjustment of planks.



1. Slide Plank into trim component.

2. Measure 1/4" & mark for positioning.

3. Slide Plank back 1/4" & align with mark.

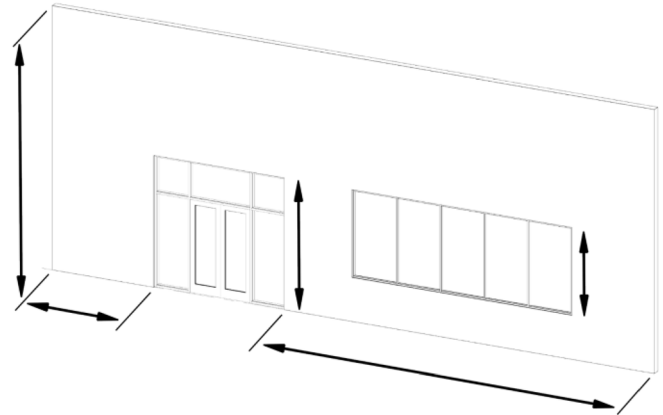
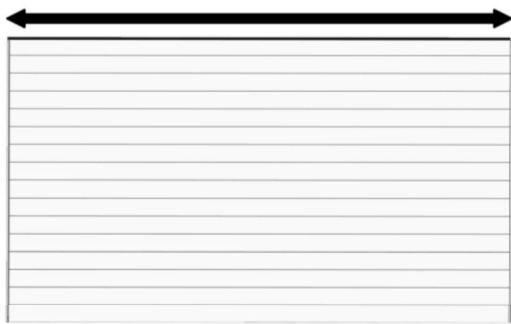
System Install

Perimeter and field area limitations

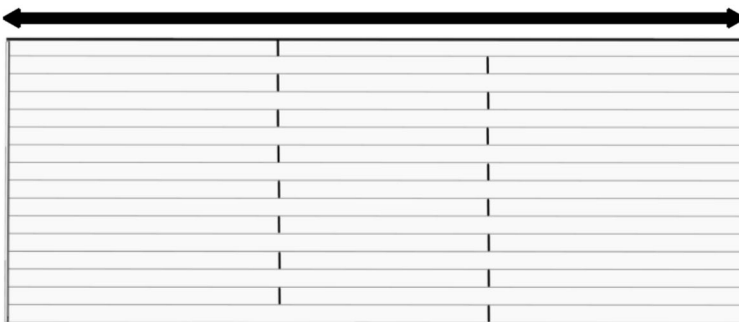
Measure and layout your wall area to consider plank & component alignment with fixtures, penetrations, and adjacent walls, for desired appearance. Apply the same methodology for vertical installations.

- Longboard system typical dimensions:
 - Planks width - 2 1/2" (64mm), 4" (102mm), 6" (152mm)
 - Planks depth - 1/2" (12mm)
 - Planks and components total depth - 9/16" (15mm)

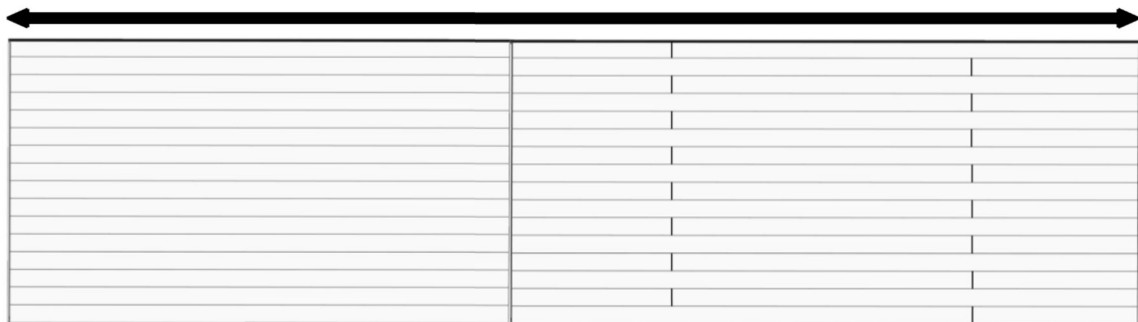
Seamless runs up to 24' length planks (no butt-joints)



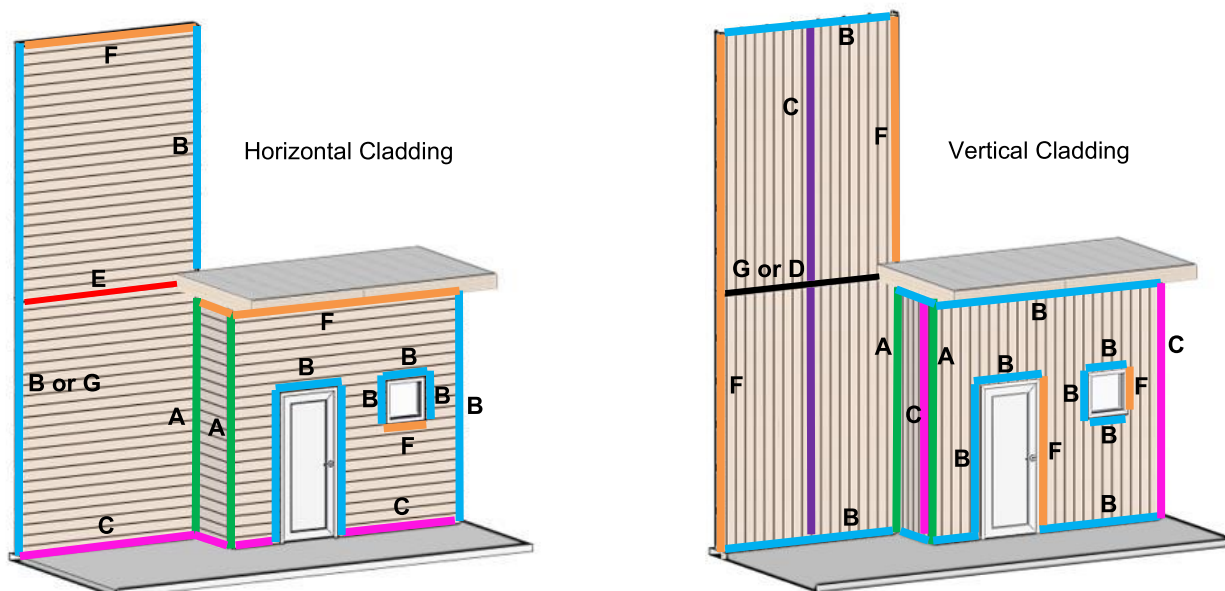
Runs up to 40' length with staggered butt-joints



Runs greater than 40' length, use a Reveal set to divide field area



Component Layout



A ■ Corner Set 2", Outside Corner 1", Inside Corner 3/4"

Location: Inside & outside corners of the installation area.
 Details: Corner Set 2" recommended for vertical cladding installs.

B ■ J-Track 5/8", Two Piece J-Track (5/8", 7/8", 1-3/8")

Location: Perpendicular to Planks (eg: sides of windows and doors), along gable end walls, other angled conditions, window/door headers and other penetrations.
 Details: Notch the flange at the ends where they meet corner components.

C ■ Starter Strip, Starter J-Track 5/8", ■ Back-to-Back Starter Strip

Location: Where starting with a full width Plank, typically along the bottom of the install for horizontal Planks.
 Details: Alternatively, **Back-to-Back Starter Strip** can be used for vertical installs at the center of each cladding area for equal width ends.

D ■ Flat Reveal Set 1-1/2", U-Reveal Set 1-1/2"

Location: Perpendicular to Planks, used to set plank widths.
 Details: Two-piece component (cap & base). Precision Flat Reveal (one piece) 6' 8" max span of planks

E ■ Compression Joint 1-3/8"

Location: Parallel to Planks at floor elevations, (horizontal cladding).
 Details: Used for expansion/contraction and settling/building movement at floor elevations.

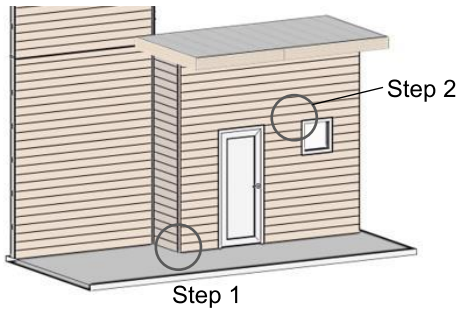
F ■ Termination Set (5/8", 7/8", 1-3/8")

Location: Parallel to Planks along top of wall, underside of windows (horizontal cladding only), sides of windows/doors (vertical cladding only) and other penetrations.
 Details: Install base only to start and end cap once planks are installed.

G ■ Offset Flat Reveal 2" (not shown in above image)

Location: Perpendicular to Planks at floor elevations, (vertical cladding). For pre-fab wall construction, bridging the gap between adjacent wall panels.
 Details: Used for expansion/contraction and settling/building movement at floor elevations.

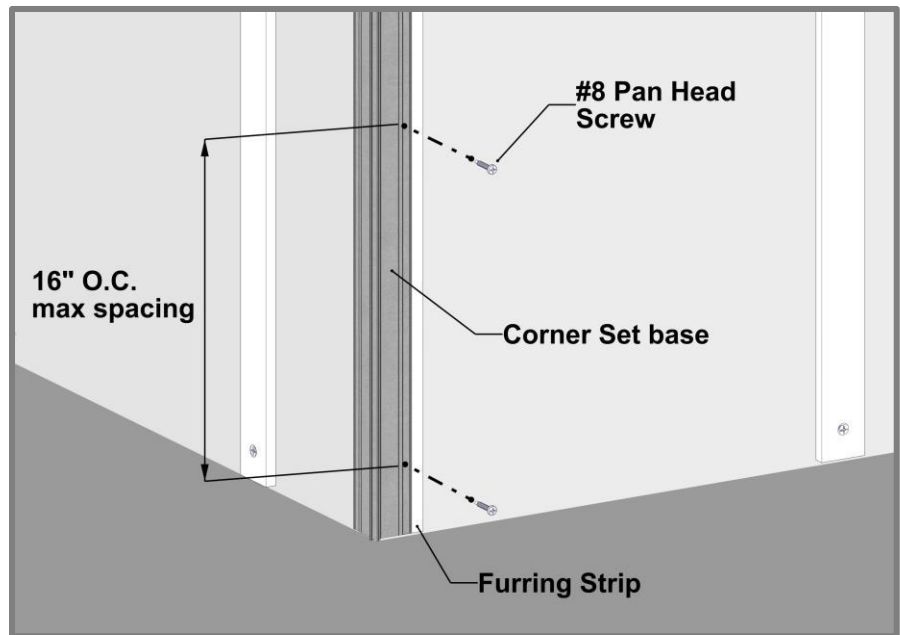
Install Steps - Horizontal cladding



Step 1 – Corners

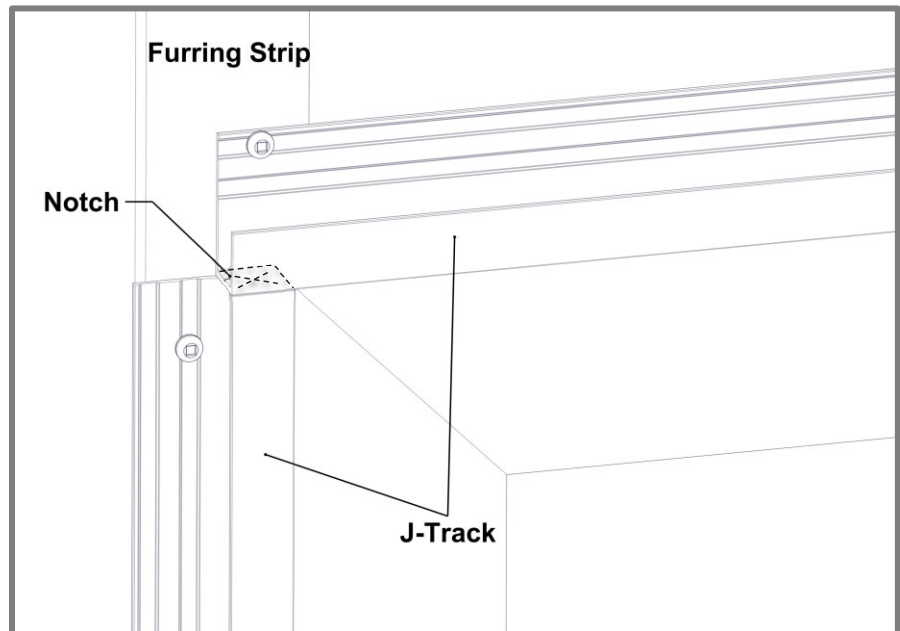
Install inside and outside corner bases or Craftsman inside and outside corners fastening every 16" O.C. with #8 Pan Head Screws. Corners typically extend from top to bottom of the area of application.

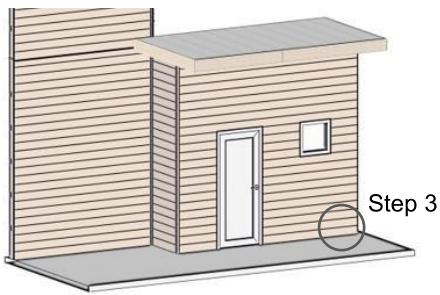
⚠ Check that components are level/plumb, flat and straight for best results.



Step 2 – J-Track

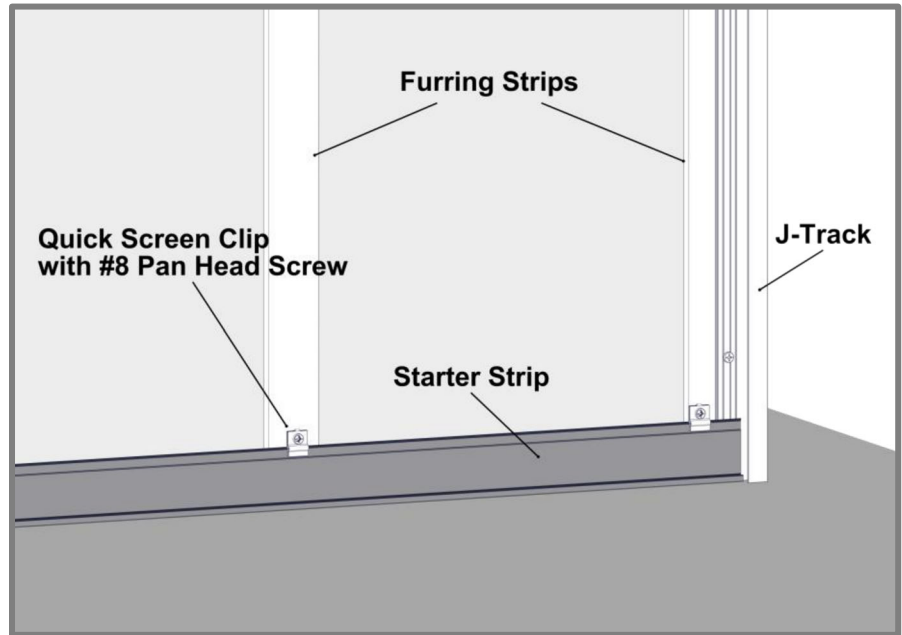
Install J-Track or Two-Piece J-Track around windows and doors and at the edge of walls, fastening every 16" O.C. with #8 Pan Head Screws. Trims can be mitered for a clean corner look.





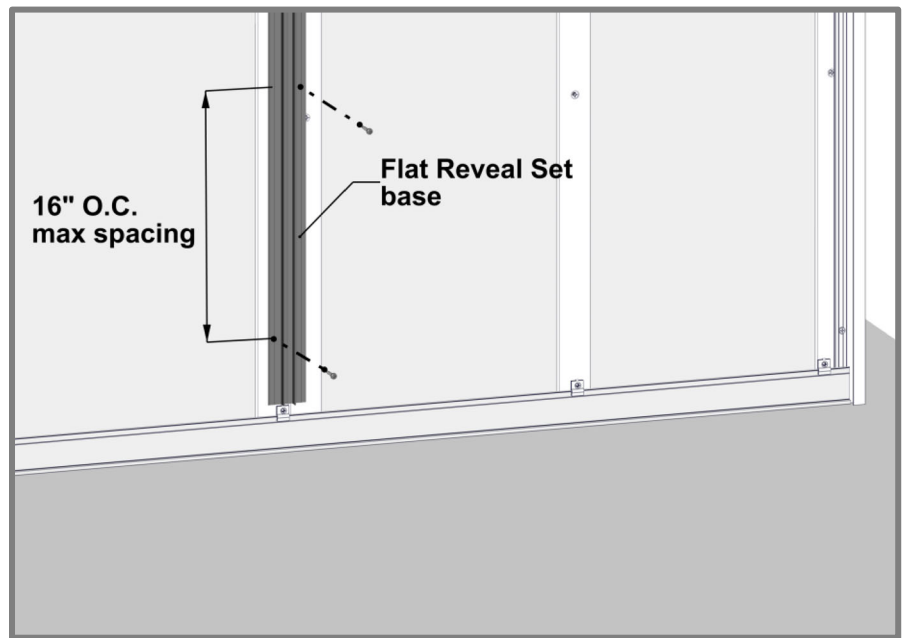
Step 3 – Starter Strip

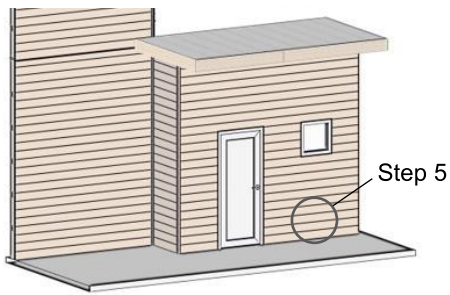
Install the Starter Strip or Starter J-Track along the bottom of the wall(s), fastening every 32" O.C. max with #8 Pan Head Screws.



Step 4 – Flat Reveal (Only if required, not shown on layout)

Install the Flat Reveal Set (base only) at the desired plank widths, fastening every 16" O.C. with #8 Pan Head Screws.

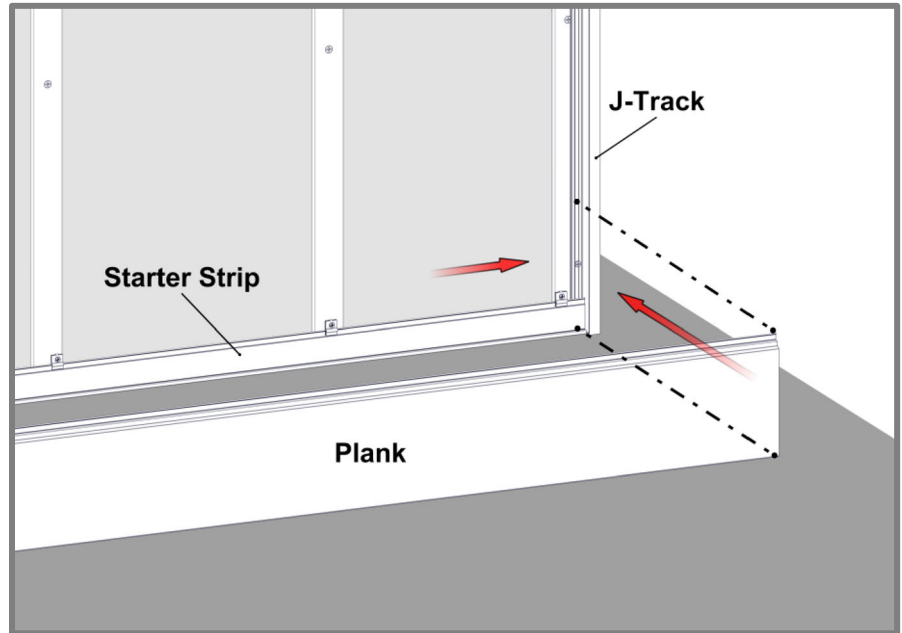




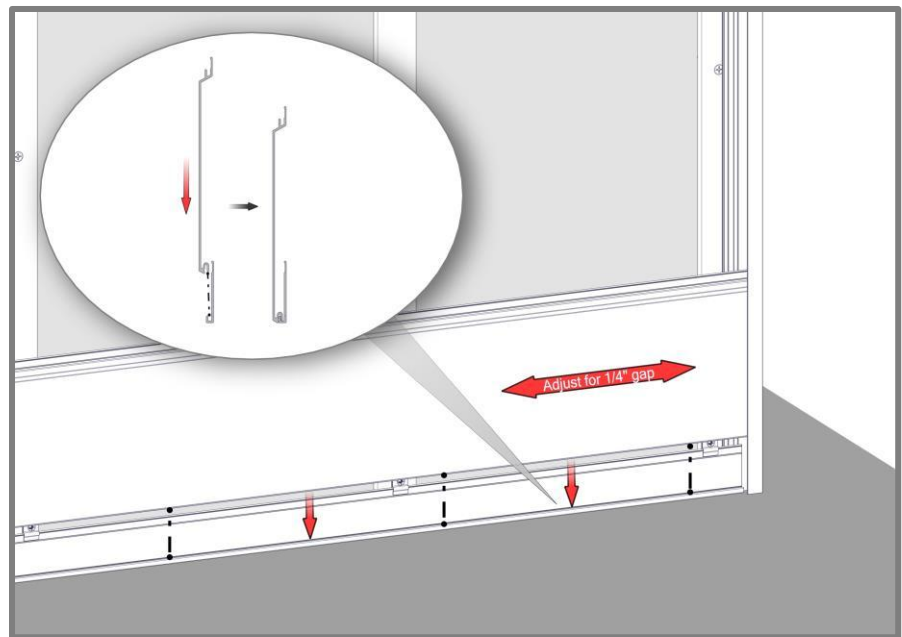
Step 5 – Planks

Place the planks onto the tongue of the Starter Strip, fully engaging the tongue.

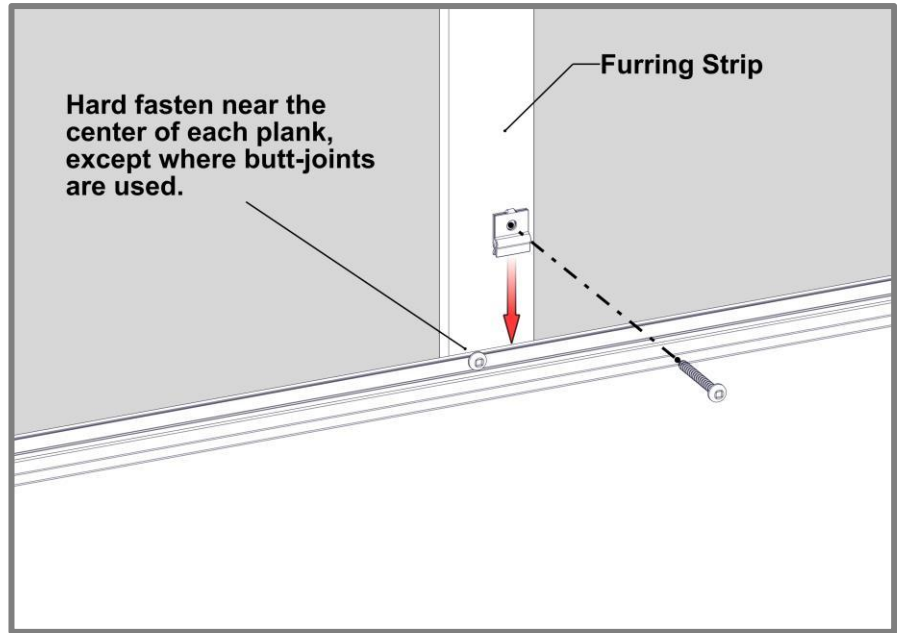
It is good practice to check your installation every 2-3 rows for level/plumb and flat or straight, for best results.



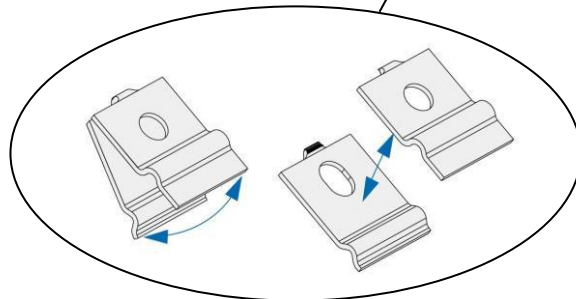
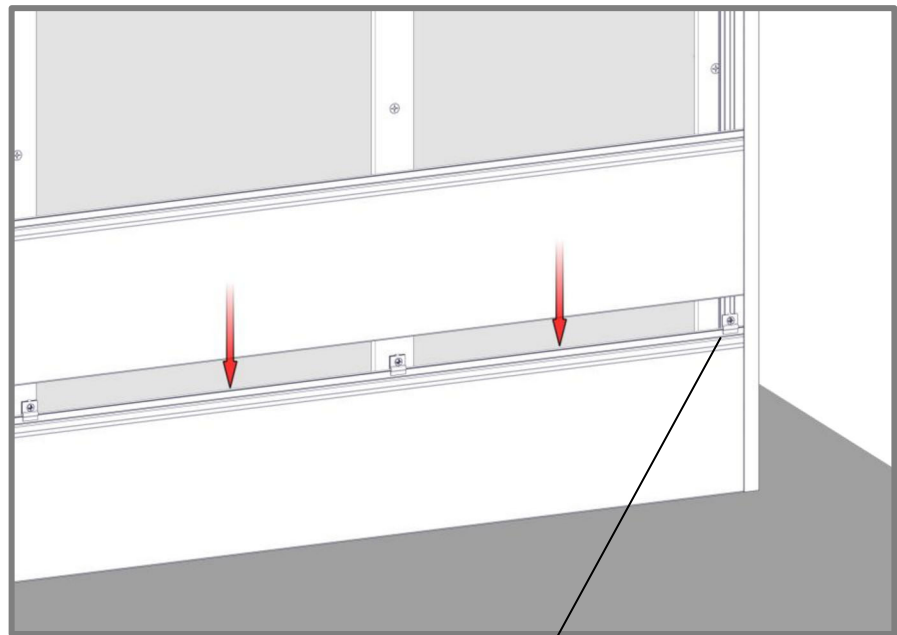
Ensure there is sufficient room for expansion and contraction of each Plank, also confirming component caps will cover.

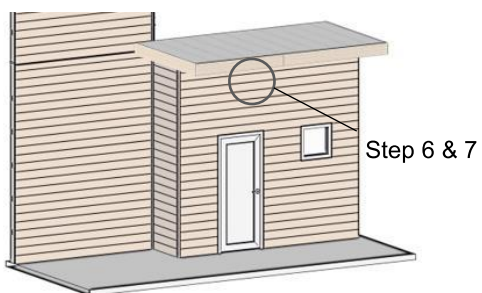


Install Quick Screen Clips every 32" (813mm) O.C. max spacing. Hard fasten only one point at the center of each plank, except where butt-joints are used. Shim Quick Screen Clips where needed to correct any substrate inconsistencies.



Install planks as needed. Where anchoring the planks securely can only be achieved over component flanges; split the Quick Screen Clip and use one piece on the front. This will maintain each plank's ability to expand and contract.

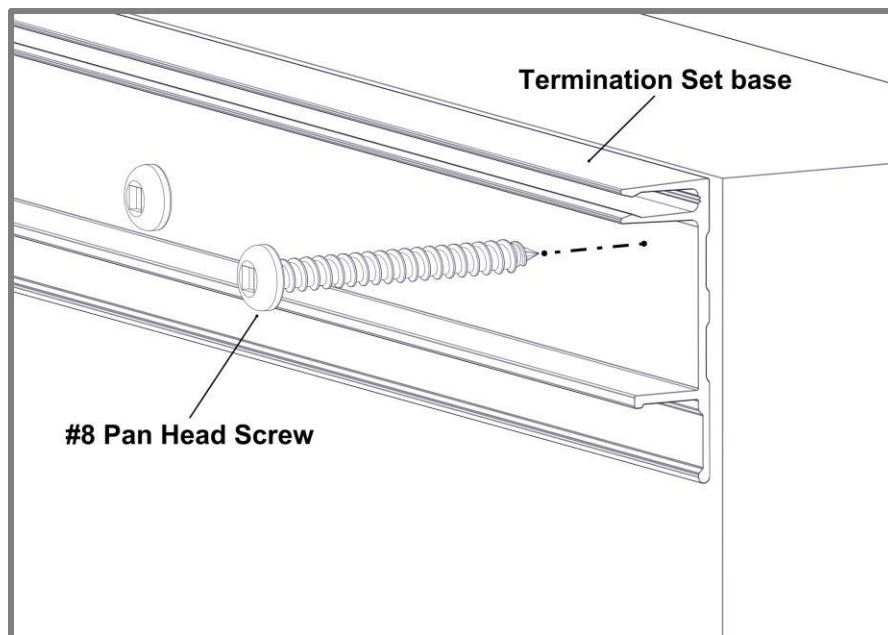




Step 6 – Termination Set

Install Termination Set (base only), fastening every 16" O.C.

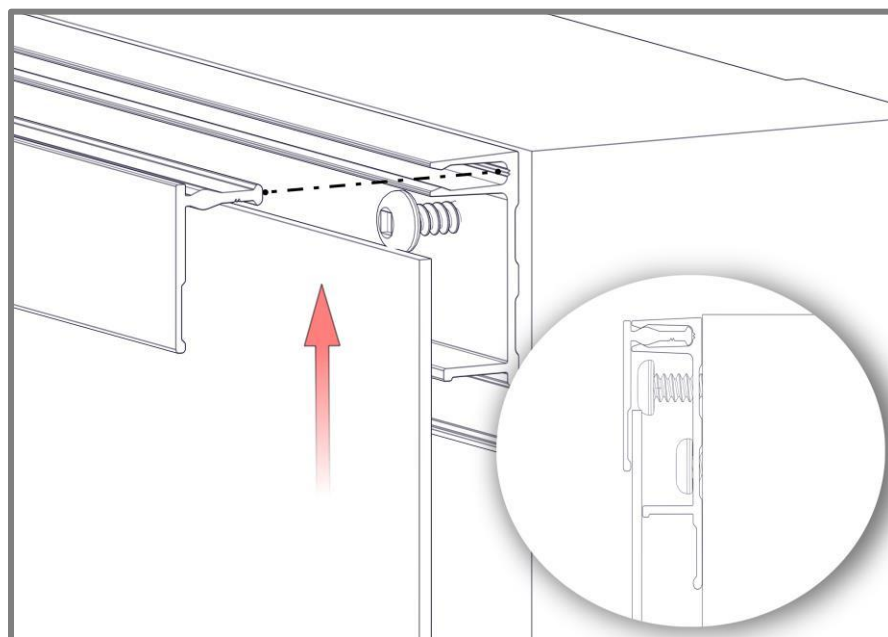
Where terminating cut planks, provide a positive stop approximately every 16" (406mm).



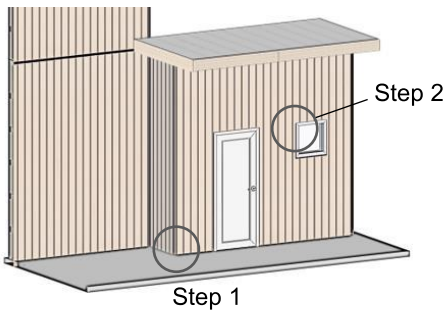
Step 7 – Last Row of Planks

Rip the last Plank, cutting it to width to suit the installation area(s). Install edge plank with a 1/4" gap and screw to lock the Plank into place.

Skip to Page 18 for Finishing Steps.



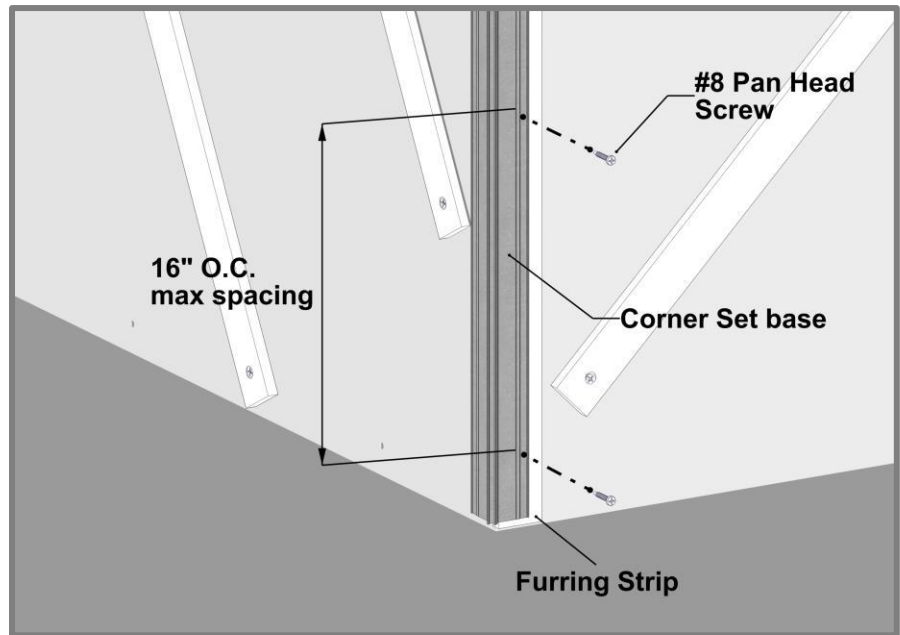
Install Steps - Vertical Cladding



Step 1 – Corners

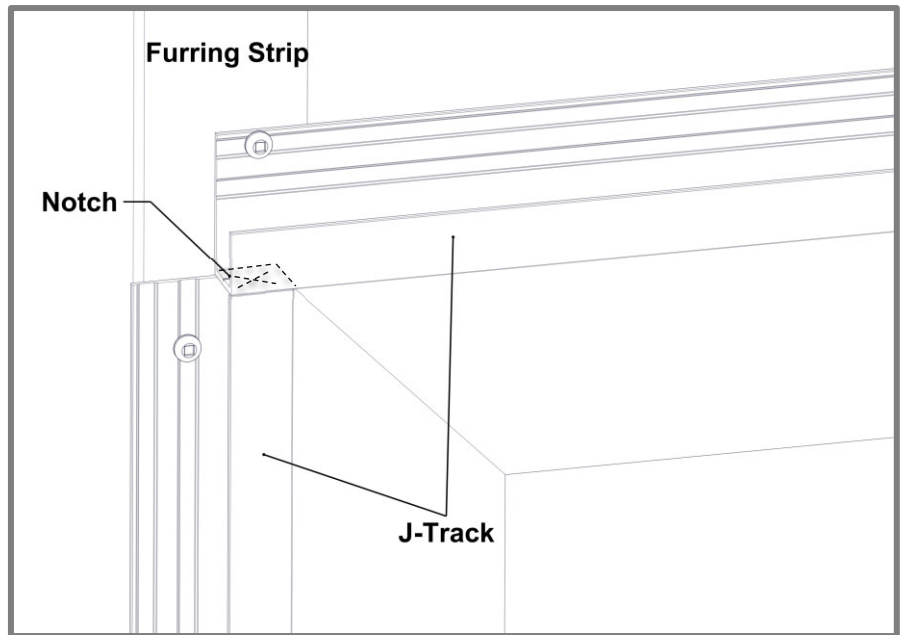
Install inside and outside corner bases, fastening every 16" O.C. with #8 Pan Head Screws. Corners typically extend from top to bottom of the area of application.

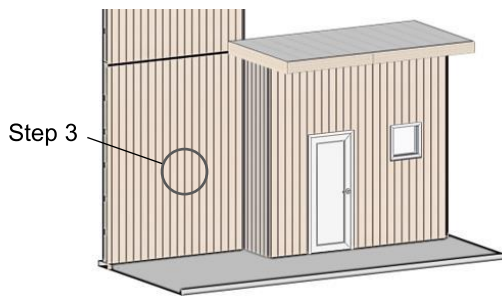
⚠ Check that components are level/plumb, flat and straight for best results.



Step 2 – J-Track

Install J-Track or Two-Piece J-Track around windows and doors and at the top & bottom of walls, fastening every 16" O.C. with #8 Pan Head Screws. Trims can be mitered for a clean corner look.



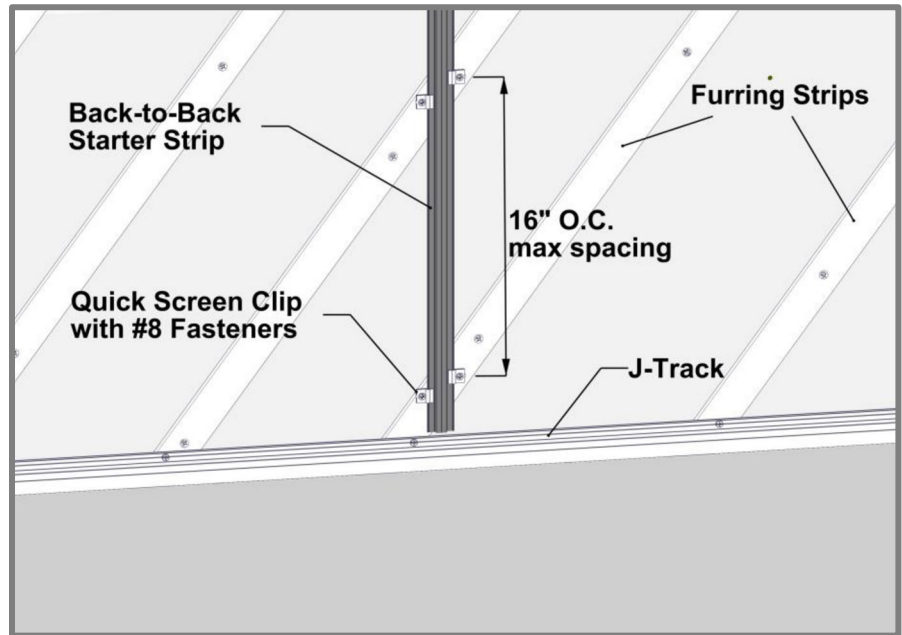


Step 3 – Back-to-Back Starter

Install the Back-to-Back Starter Strip at the center of the wall area to achieve equal width ends. Fasten both sides every 16" O.C. max with #8 Pan Head Screws.

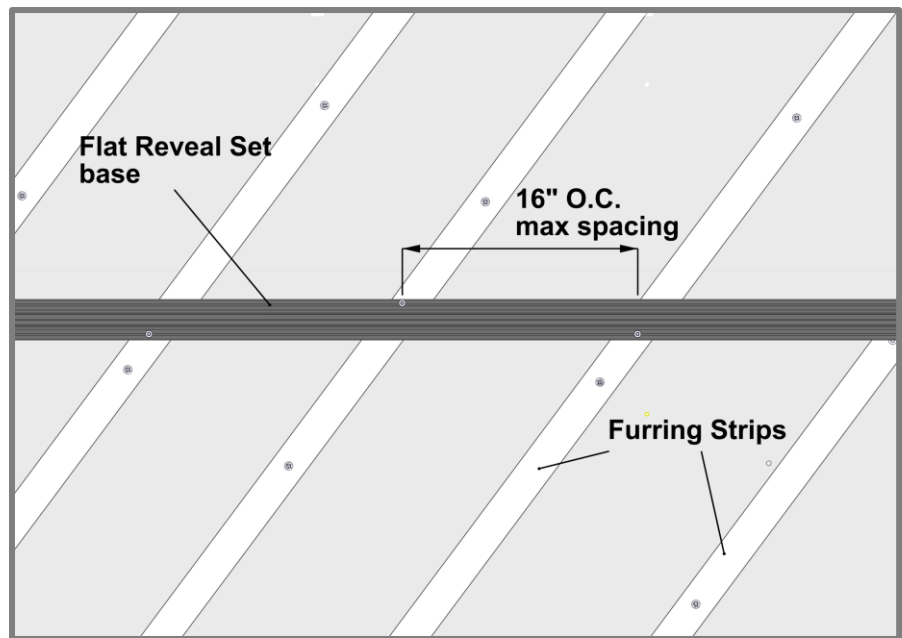
⚠ The Back-to-Back Starter should be secured with a Quick-Screen Clip on both sides of the component.

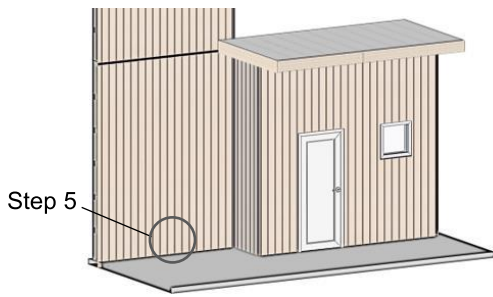
Alternately, the Starter Strip can be used and installed at the corner of the wall(s) over the Corner Set base and the Starter J-Track used at the edge of the walls.



Step 4 – Flat Reveal or Offset Flat Reveal (2") (Only if required, not shown on layout)

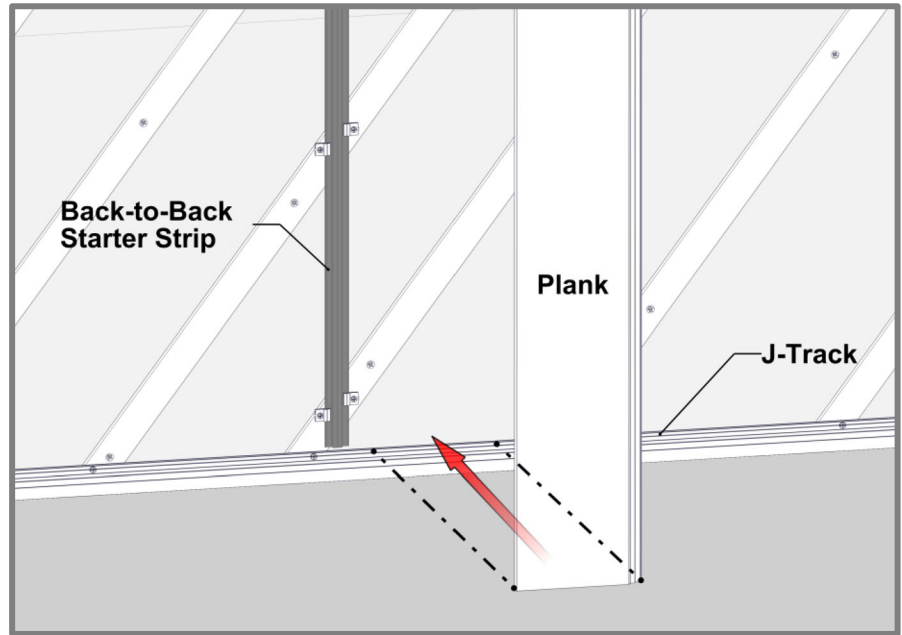
Install the Flat Reveal Set (base only) at the desired plank widths, fastening every 16" O.C. with #8 Pan Head Screws.



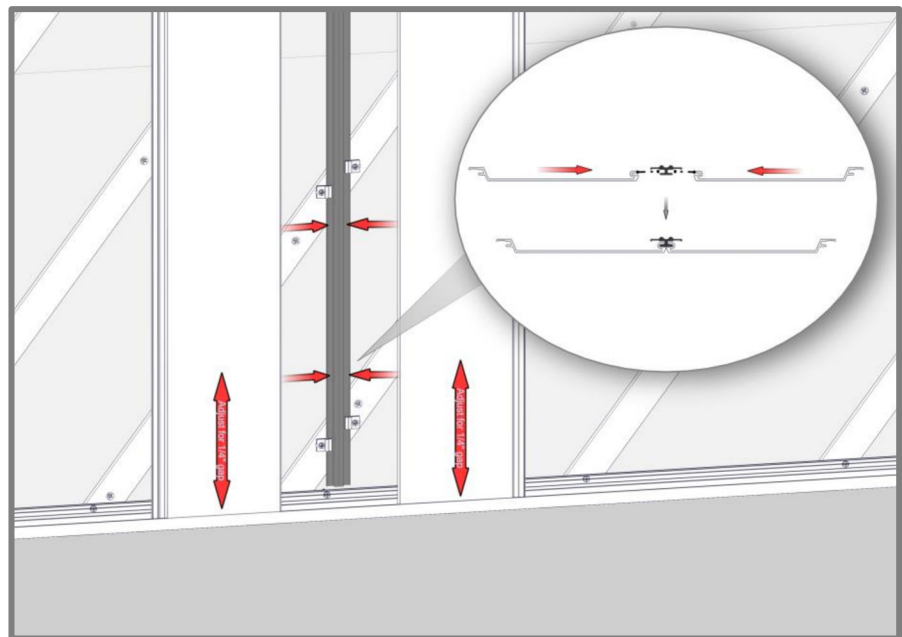


Step 5 – Planks

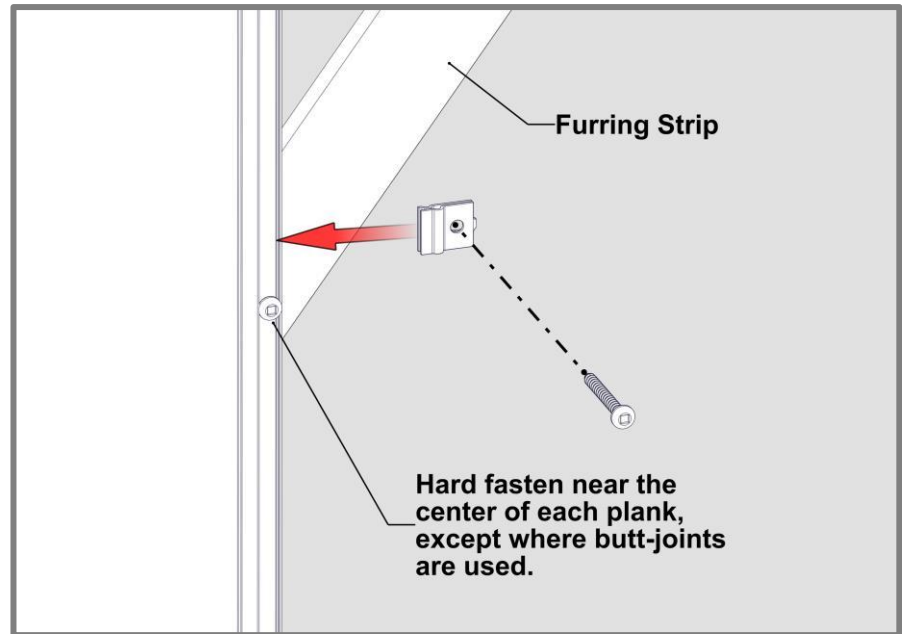
Place the planks into the groove of the Starter Strip, engaging the tongue. It is good practice to check your installation every 2-3 rows for level/plumb and flat or straight, for best results.



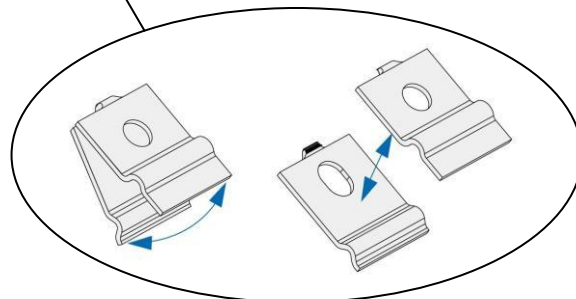
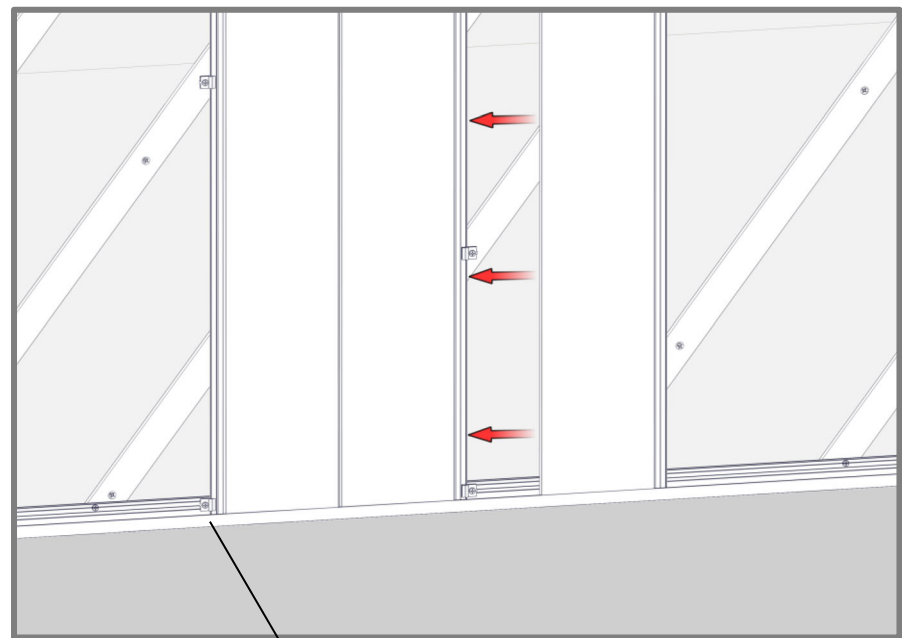
Ensure there is sufficient room for expansion and contraction of each Plank, also confirming component caps will cover.



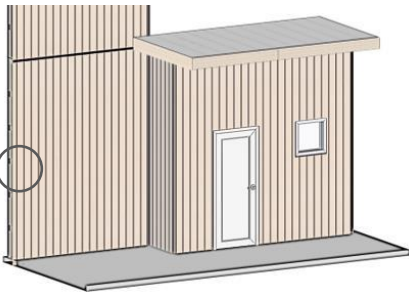
Install Quick Screen Clips every 32" (813mm) O.C. max spacing. Hard fasten only one point at the center of each plank, except where butt-joint are used. Shim Quick Screen Clips where needed to correct any substrate inconsistencies.



Install planks as needed. Where anchoring the planks securely can only be achieved over component flanges; split the Quick Screen Clip and use one piece on the front. This will maintain each plank's ability to expand and contract



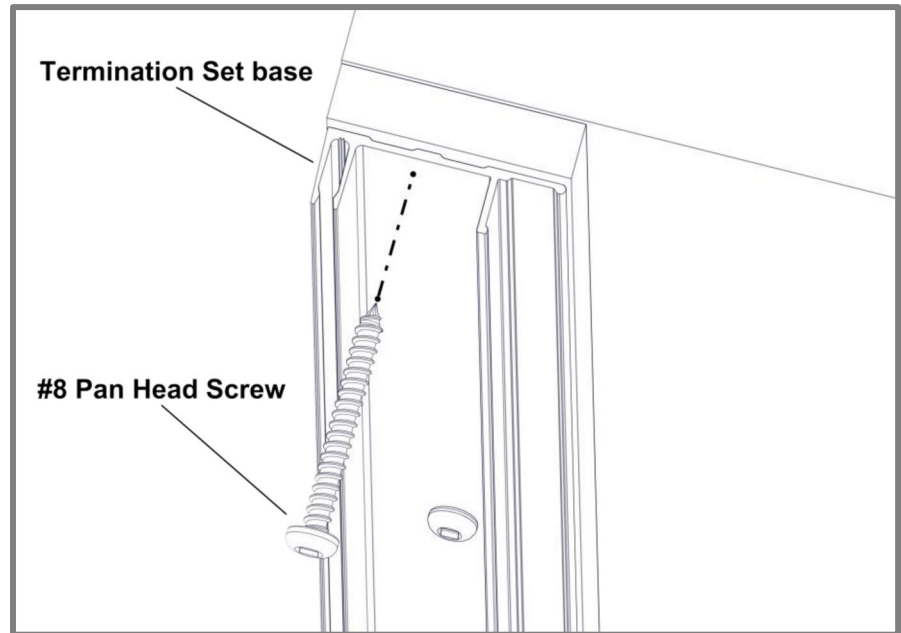
Step 6 & 7



Step 6 – Termination Set

Install Termination Set (base only), fastening every 16" O.C.

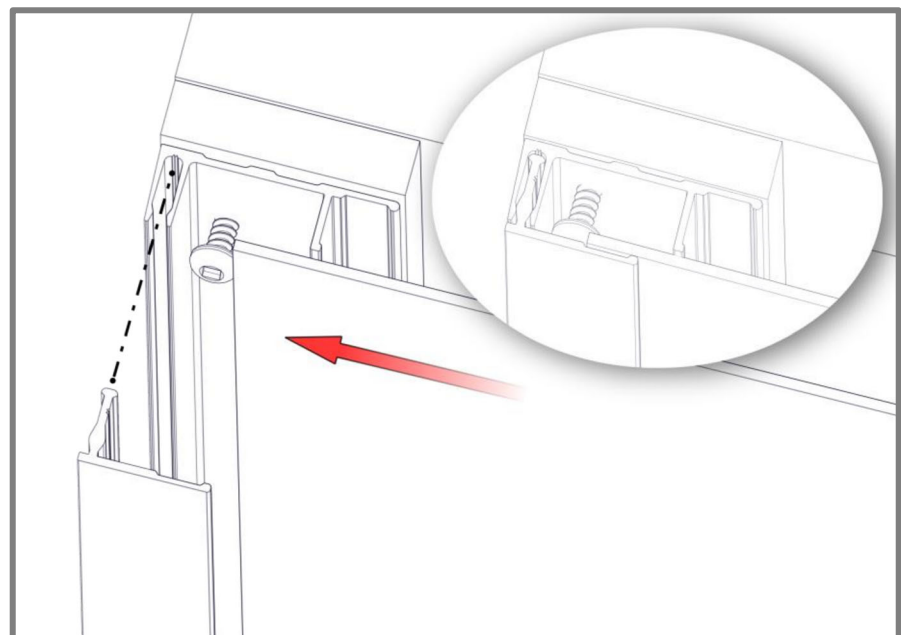
Where terminating cut planks, provide a positive stop approximately every 16" (406mm).



Step 7 – Last Row of Planks

Rip the last Plank, cutting it to width to suit the installation area(s). Install edge plank with a 1/4" gap and screw to lock the Plank into place.

See next page for Finishing Steps.

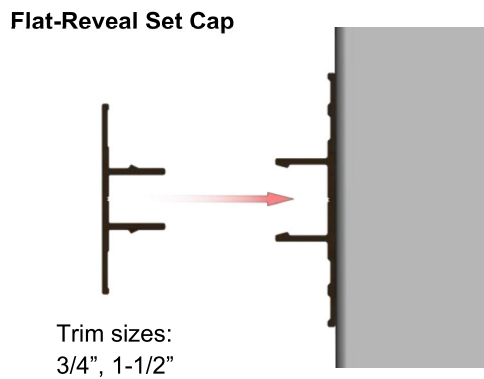
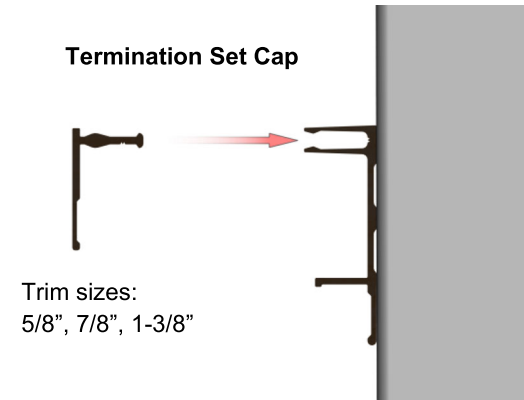
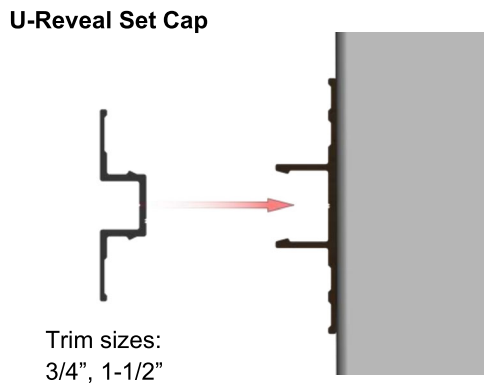
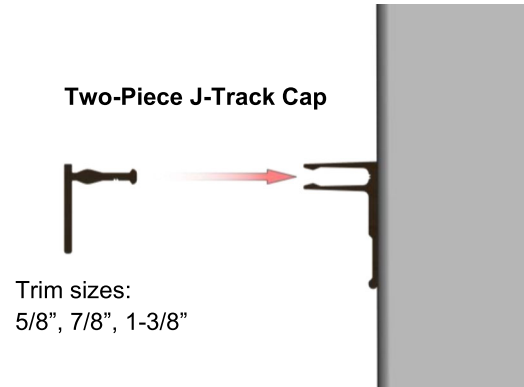
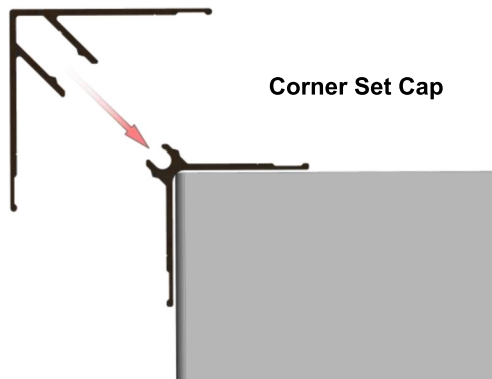


Finishing Steps - Once planks are installed, finish off the perimeter trims with caps from two-piece sets.

Component Caps

Location: Installed onto the base of the two-piece sets.

Details: If required, use a rubber mallet or hammer and block to protect the finish during this process.

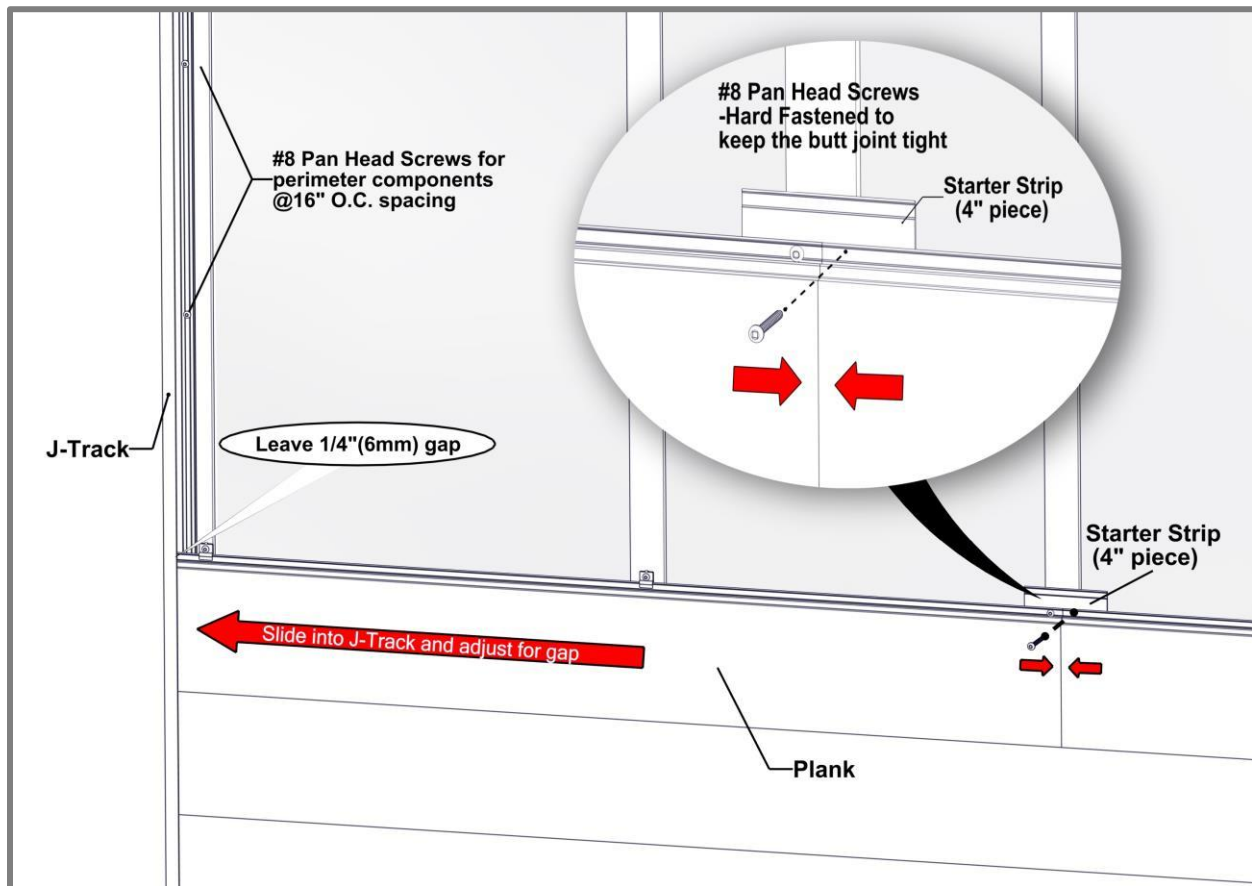


Details

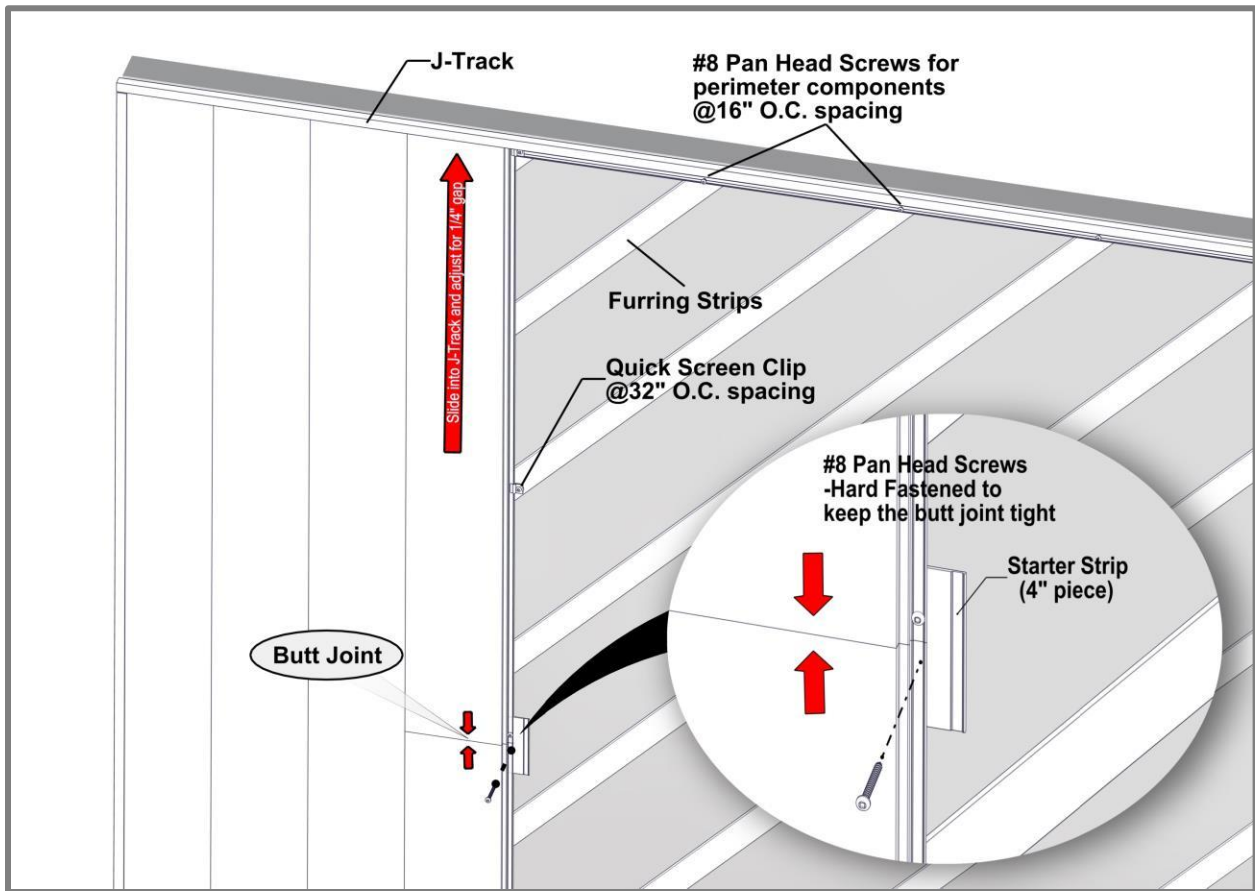
Butt-Joints

- When installing staggered butt-joints, hard-fasten the two planks at the butt-joint to ensure joints do not open up (**See Detail A & B**). Fasteners should be anchored through a 4" piece of starter strip and into a solid secure framing member or blocking.
- Use touch-up paint pens (purchased separately) to finish the ends of the two (2) planks at the butt-joint.
- DO NOT install more than one (1) butt-joint between two components
- DO NOT hard-fasten a plank to a component trim, as this will restrict its ability to expand & contract into the component.
- If no butt joints along the length, it is good practice to hard-fasten each plank directly through the flange near the center, to keep the planks from migrating.
- DO NOT hard-fasten more than one (1) location per plank.
- Hard fasten only:

Situation	Location
No butt-joints:	-Near the center of planks
Butt-joints:	-At the joints



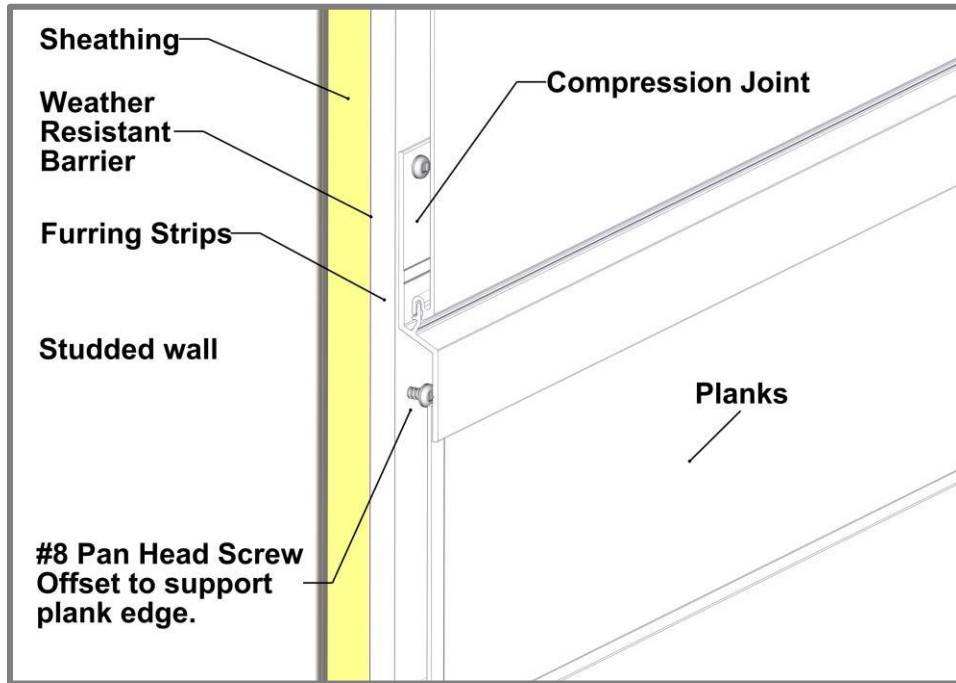
Detail A -Horizontal Cladding



Detail B -Vertical Cladding

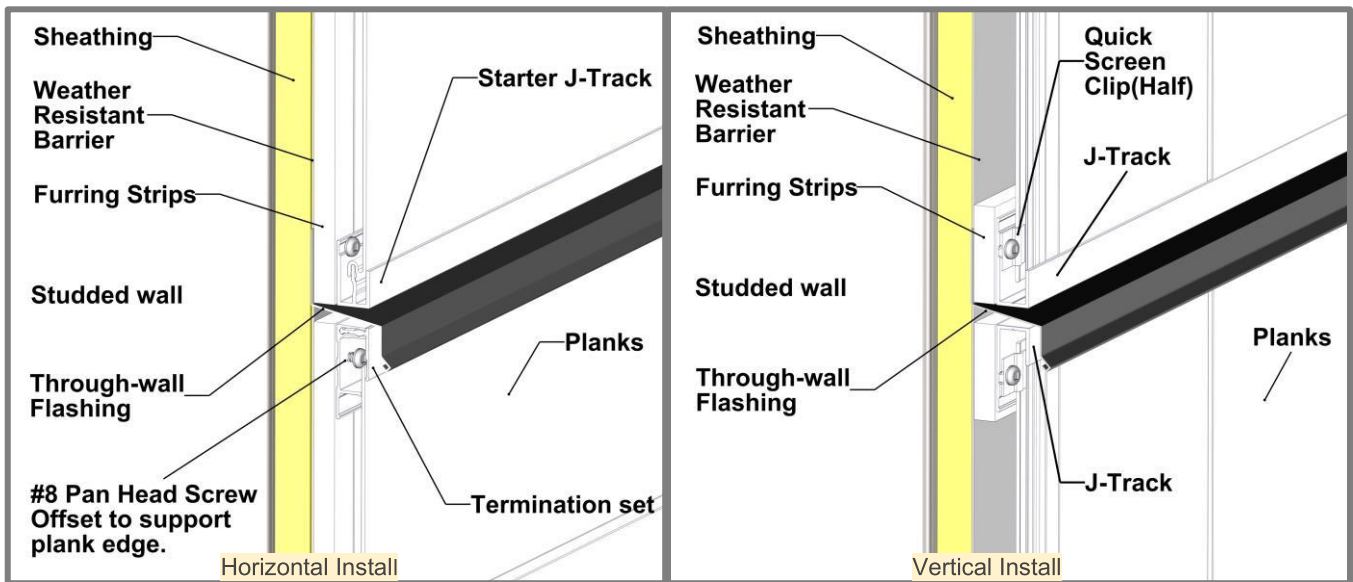
Floor elevation

Compression Joint

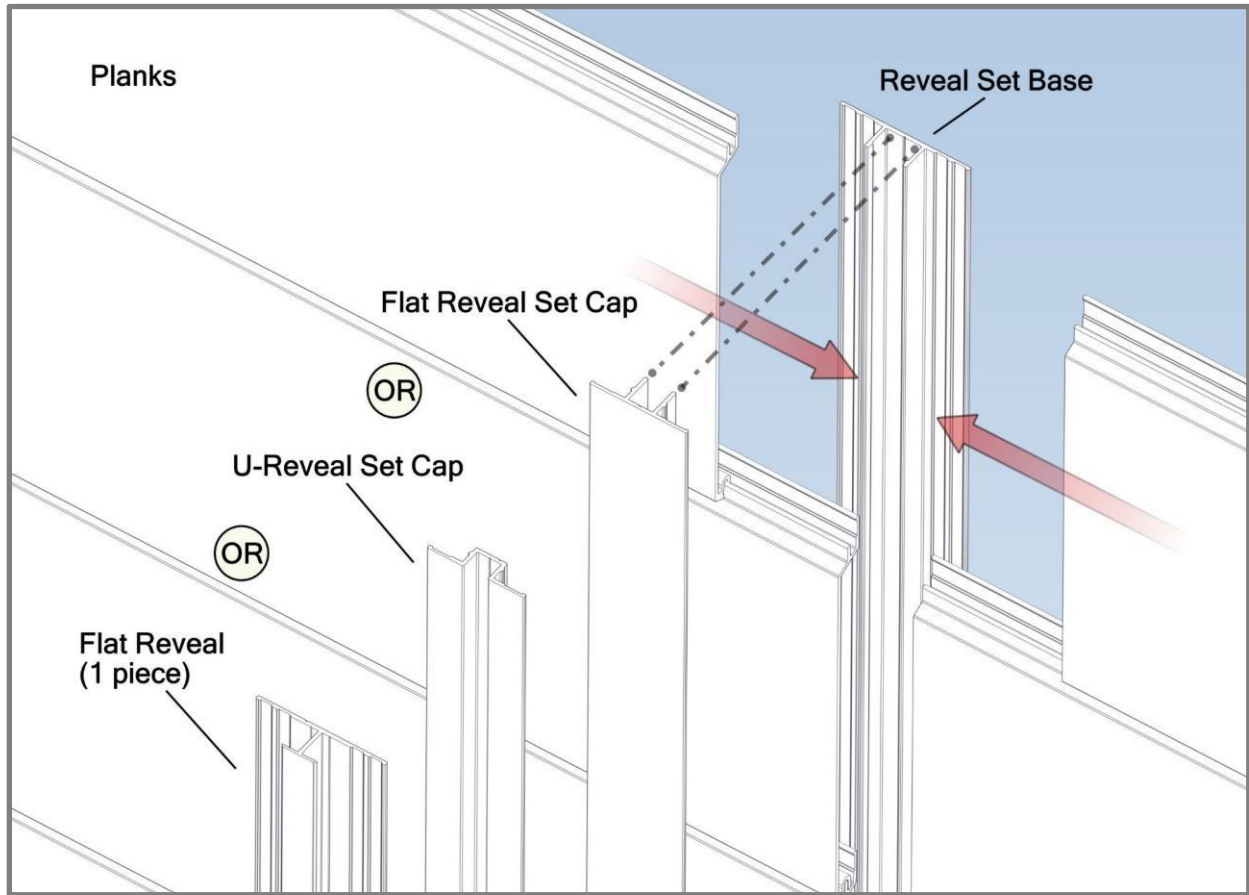


Type:	Compression Joint, Termination set/Starter J-Track, J-Track back-to-back.
Location:	Typically, at every floor elevation and where through-wall flashing is required.
Details:	Note the orientation of planks for through-wall flashing install.

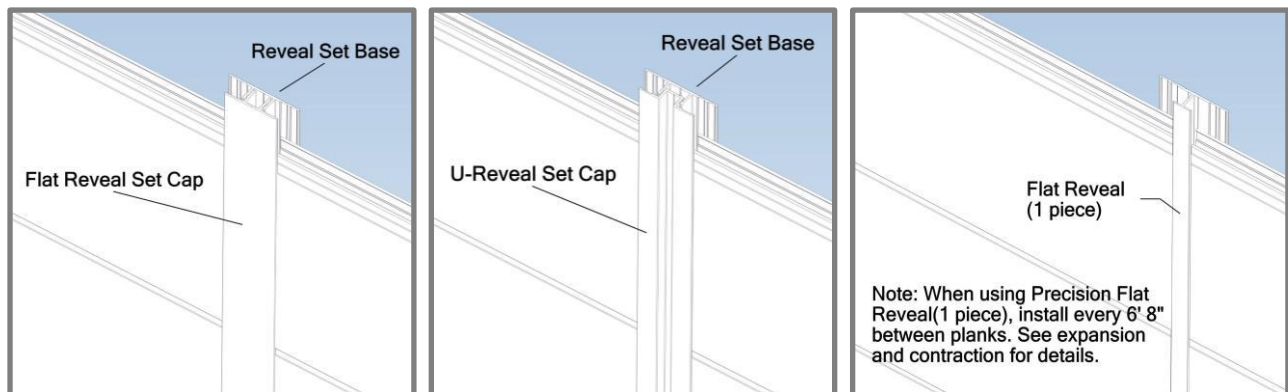
Through-wall Flashing



Expansion reveals



Type:	Traditional Flat Reveal Set/Traditional U-Reveal Set/Precision Flat Reveal.
Location:	Typically for wall areas greater than 24' (7.3m) long (no butt-joints) or 40' (12.2m) long (With staggered butt-joints). See Expansion and contraction for details.
Details:	Install base only to start and end cap once planks are installed.



Appendix

Expansion and Contraction Tables

TABLE 1 - IMPERIAL

		AVERAGE TEMPERATURE AT TIME OF CUTTING & INSTALLATION											
		°C	-50	-40	-30	-20	-10	0	10	20	30	40	50
		°F	-58	-40	-22	-4	14	32	50	68	86	104	122
MIN/MAX POST CONSTRUCTION TEMP.	°C	°F	EXPANSION OR CONTRACTION (INCH/FOOT)										
	-50	-58	0.000	-0.003	-0.005	-0.008	-0.011	-0.014	-0.016	-0.019	-0.022	-0.024	-0.027
	-40	-40	0.003	0.000	-0.003	-0.005	-0.008	-0.011	-0.014	-0.016	-0.019	-0.022	-0.024
	-30	-22	0.005	0.003	0.000	-0.003	-0.005	-0.008	-0.011	-0.014	-0.016	-0.019	-0.022
	-20	-4	0.008	0.005	0.003	0.000	-0.003	-0.005	-0.008	-0.011	-0.014	-0.016	-0.019
	-10	14	0.011	0.008	0.005	0.003	0.000	-0.003	-0.005	-0.008	-0.011	-0.014	-0.016
	0	32	0.014	0.011	0.008	0.005	0.003	0.000	-0.003	-0.005	-0.008	-0.011	-0.014
	10	50	0.016	0.014	0.011	0.008	0.005	0.003	0.000	-0.003	-0.005	-0.008	-0.011
	20	68	0.019	0.016	0.014	0.011	0.008	0.005	0.003	0.000	-0.003	-0.005	-0.008
	30	86	0.022	0.019	0.016	0.014	0.011	0.008	0.005	0.003	0.000	-0.003	-0.005
	40	104	0.024	0.022	0.019	0.016	0.014	0.011	0.008	0.005	0.003	0.000	-0.003
	50	122	0.027	0.024	0.022	0.019	0.016	0.014	0.011	0.008	0.005	0.003	0.000

TABLE 2 - METRIC

		AVERAGE TEMPERATURE AT TIME OF CUTTING & INSTALLATION											
		°C	-50	-40	-30	-20	-10	0	10	20	30	40	50
		°F	-58	-40	-22	-4	14	32	50	68	86	104	122
MIN/MAX POST CONSTRUCTION TEMP.	°C	°F	EXPANSION OR CONTRACTION (MM/METER)										
	-50	-58	0.000	-0.230	-0.460	-0.690	-0.920	-1.150	-1.380	-1.610	-1.840	-2.070	-2.300
	-40	-40	0.230	0.000	-0.230	-0.460	-0.690	-0.920	-1.150	-1.380	-1.610	-1.840	-2.070
	-30	-22	0.460	0.230	0.000	-0.230	-0.460	-0.690	-0.920	-1.150	-1.380	-1.610	-1.840
	-20	-4	0.690	0.460	0.230	0.000	-0.230	-0.460	-0.690	-0.920	-1.150	-1.380	-1.610
	-10	14	0.920	0.690	0.460	0.230	0.000	-0.230	-0.460	-0.690	-0.920	-1.150	-1.380
	0	32	1.150	0.920	0.690	0.460	0.230	0.000	-0.230	-0.460	-0.690	-0.920	-1.150
	10	50	1.380	1.150	0.920	0.690	0.460	0.230	0.000	-0.230	-0.460	-0.690	-0.920
	20	68	1.610	1.380	1.150	0.920	0.690	0.460	0.230	0.000	-0.230	-0.460	-0.690
	30	86	1.840	1.610	1.380	1.150	0.920	0.690	0.460	0.230	0.000	-0.230	-0.460
	40	104	2.070	1.840	1.610	1.380	1.150	0.920	0.690	0.460	0.230	0.000	-0.230
	50	122	2.300	2.070	1.840	1.610	1.380	1.150	0.920	0.690	0.460	0.230	0.000

TABLE 3

4" PLANKS		PSF (Factored / Ultimate)											
		20	30	40	50	60	70	80	90	100	110	121	
QUICK-SCREEN CLIP SPACING (IN) ^{1, 2, 3}	16"	Wood	✓	✓	✓	✓	✓	✓	✓	✓	✓	✓	✓
		16ga	✓	✓	✓	✓	✓	✓	✓	✓	✓	✓	✓
		18ga	✓	✓	✓	✓	✓	✓	✓	✓	✓	✓	✓
		20ga	✓	✓	✓	✓	✓	✓	✓	✓	✓	✓	✓
	24"	Wood	✓	✓	✓	✓	✓	✓	✓	✓	✓	✓	✓
		16ga	✓	✓	✓	✓	✓	✓	✓	✓	✓	✓	✓
		18ga	✓	✓	✓	✓	✓	✓	✓	✓	✓	✓	✓
		20ga	✓	✓	✓	✓	✓	✓	✓	✓	✓	✓	✓
	32"	Wood	✓	✓	✓	✓	✓	✓	✓	✓	✓	✓	✓
		16ga	✓	✓	✓	✓	✓	✓	✓	✓	✓	✓	✓
		18ga	✓	✓	✓	✓	✓	✓	✓	✓	✓	✓	✓
		20ga	✓	✓	✓	✓	✓	✓	✓	✓	✓	✓	✓

Substrate Types: Sheathed Wood-Frame Wall w/2.0 in. lg. #8 Pan-head wood screws
 Sheathed 16ga, 50ksi Steel Stud Wall w/#8 Pan-Head Self-Drilling Screws
 Sheathed 18ga, 33ksi Steel Stud Wall w/#8 Pan-Head Self-Drilling Screws
 Sheathed 20ga, 33ksi Steel Stud Wall w/#8 Pan-Head Self-Drilling Screws

1_Spacing is from clip center to center
 2_An unfactored dead load of 1.5 psf was assumed for the cladding
 3_If fastening to every second stud, the attachment stud shall be staggered between adjacent runs of cladding

TABLE 4

6" PLANKS		PSF (Factored / Ultimate)											
		20	30	40	50	60	70	80	90	100	110	121	
QUICK-SCREEN CLIP SPACING (IN) ^{1, 2, 3}	16"	Wood	✓	✓	✓	✓	✓	✓	✓	✓	✓	✓	✓
		16ga	✓	✓	✓	✓	✓	✓	✓	✓	✓	✓	✓
		18ga	✓	✓	✓	✓	✓	✓	✓	✓	✓	✓	✓
		20ga	✓	✓	✓	✓	✓	✓	✓	✓	✓	✓	✓
	24"	Wood	✓	✓	✓	✓	✓	✓	✓	✓	✓	✓	✓
		16ga	✓	✓	✓	✓	✓	✓	✓	✓	✓	✓	✓
		18ga	✓	✓	✓	✓	✓	✓	✓	✓	✓	✓	✓
		20ga	✓	✓	✓	✓	✓	✓	✓	✓	✓	✓	✓
	32"	Wood	✓	✓	✓	✓	✓	✓	✓	✓	✓	✓	✓
		16ga	✓	✓	✓	✓	✓	✓	✓	✓	✓	✓	✓
		18ga	✓	✓	✓	✓	✓	✓	✓	✓	✓	✓	✓
		20ga	✓	✓	✓	✓	✓	✓	✓	✓	✓	✓	✓

Substrate Types: Sheathed Wood-Frame Wall w/2.0 in. lg. #8 Pan-head wood screws
 Sheathed 16ga, 50ksi Steel Stud Wall w/#8 Pan-Head Self-Drilling Screws
 Sheathed 18ga, 33ksi Steel Stud Wall w/#8 Pan-Head Self-Drilling Screws
 Sheathed 20ga, 33ksi Steel Stud Wall w/#8 Pan-Head Self-Drilling Screws

1_Spacing is from clip center to center
 2_An unfactored dead load of 1.5 psf was assumed for the cladding
 3_If fastening to every second stud, the attachment stud shall be staggered between adjacent runs of cladding

TABLE 5

STARTER STRIP w. 4" PLANK		PSF (Factored / Ultimate)											
		20	30	40	50	60	70	80	90	100	110	121	
QUICK-SCREEN CLIP SPACING (IN) ^{1, 2, 3}	16"	Wood	End	End	End	End	End	End	End	End	End	End	End
		16ga	End	End	End	End	End	End	Mid	Mid	Mid	Mid	
		18ga	End	End	Mid	Mid	Mid	Mid	Mid	Mid			
		20ga	Mid	Mid	Mid	Mid	Mid	Mid	Mid				
32"	Wood	End	End	End									
	16ga	End	End										

All testing has been performed using L/180 deflection limits

Substrate Types: Sheathed Wood-Frame Wall w/2.0 in. Ig. #8 Pan-head wood screws
 Sheathed 16ga, 50ksi Steel Stud Wall w/#8 Pan-Head Self-Drilling Screws
 Sheathed 18ga, 33ksi Steel Stud Wall w/#8 Pan-Head Self-Drilling Screws
 Sheathed 20ga, 33ksi Steel Stud Wall w/#8 Pan-Head Self-Drilling Screws

Position of screw: End - Screw is positioned at end of the Starter Strip
 Mid - Screw is positioned in the middle of the Starter Strip

1_Spacing is from clip center to center
 2_An unfactored dead load of 1.5 psf was assumed for the cladding
 3_If fastening to every second stud, the attachment stud shall be staggered between adjacent runs of cladding

TABLE 6

STARTER STRIP w. 6" PLANK		PSF (Factored / Ultimate)											
		20	30	40	50	60	70	80	90	100	110	121	
QUICK-SCREEN CLIP SPACING (IN) ^{1, 2, 3}	16"	Wood	End	End	End	Mid	Mid	Mid	Mid	Mid	Mid	Mid	Mid
		16ga	End	End	End	Mid	Mid	Mid	Mid	Mid			
		18ga	End	Mid	Mid	Mid	Mid	Mid					
		20ga	Mid	Mid	Mid	Mid							
32"	Wood	End											
	16ga	End											

All testing has been performed using L/180 deflection limits

Substrate Types: Sheathed Wood-Frame Wall w/2.0 in. Ig. #8 Pan-head wood screws
 Sheathed 16ga, 50ksi Steel Stud Wall w/#8 Pan-Head Self-Drilling Screws
 Sheathed 18ga, 33ksi Steel Stud Wall w/#8 Pan-Head Self-Drilling Screws
 Sheathed 20ga, 33ksi Steel Stud Wall w/#8 Pan-Head Self-Drilling Screws

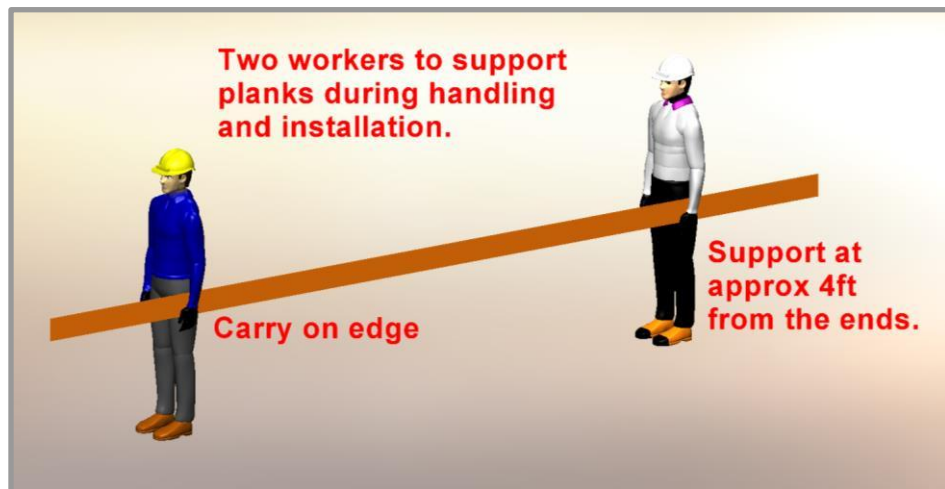
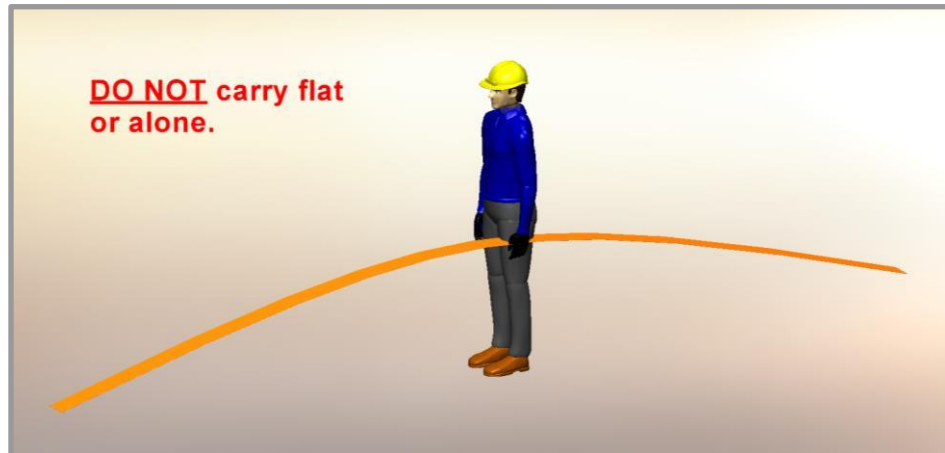
Position of screw: End - Screw is positioned at end of the Starter Strip
 Mid - Screw is positioned in the middle of the Starter Strip

1_Spacing is from clip center to center
 2_An unfactored dead load of 1.5 psf was assumed for the cladding
 3_If fastening to every second stud, the attachment stud shall be staggered between adjacent runs of cladding

Proper Handling of Longboard Products



To help avoid injury and product damage, Longboard products require proper handling to and from storage areas during installation. When carrying or installing any products it is recommended that they be moved or carried by at least two people with each support point approximately 4ft from the ends. **Carrying products without proper support can cause excessive bending which may damage the appearance or finish of the product.** Any short cut lengths should also be carried on edge while supporting the material. See below for details.



⚠️ Delivery, Storage & Handling ⚠️

- Always inspect the delivery for damage and contact LB ASAP if there are any issues: info@longboardproducts.com or 1-800-604-0343 and include your PO# and any pictures if possible. Longboard is not responsible for the installation of blemished or damaged material.
- Be sure to store the material flat, keep it dry, safe & secure and remain in unopened cartons until ready to be installed.
- Always wear appropriate PPE when handling products.

BLANK PAGE



Longboard Architectural Products Inc.
© Longboard Architectural Products Inc. All rights reserved.

Longboard® is a registered trademark of Longboard Architectural Products Inc.

Longboard
1777 Clearbrook Road
Abbotsford, BC V2T 8X8
Canada
longboardproducts.com

Every effort has been made to ensure that the information in these installation guidelines are accurate. Longboard is not responsible for printing or clerical errors.

For more information, contact client care at info@longboardproducts.com or call toll free 1-800-604-0343.

Tongue & Groove Planks

V-Groove Planks

Size	12' *	24' *	12' Perf *	24' Perf *
2½"	3V.145	3V.289	3VP.145	3VP.289
4"	4V.145	4V.289	-	-
6"	6V.145	6V.289	6VP.145	6VP.289

Smooth Planks

Size	12' *	24' *	12' Perf *	24' Perf *
6"	6PSP.145	6PSP.289	6PSP.145	6PSP.289

Channel Planks

Size	12' *	24' *
6"	6CH.145	6CH.289

Accessories

Product	Qty	SKU
Quick Screen Clips	1750, box	CLIP.N1750
Quick Screen Clips	100, bag	CLIP.N100
Touch Up Pens <i>Reach out to confirm color with account manager.</i>	N/A	TUP

Component Trims

Type	Style	Product	Dimensions	SKU
Starter	Precision	Starter J-Track	(5/8") - 12'	1SJT.145
Starter	Traditional	Starter Strip	(1-7/8") - 12'	2SS.145
Starter	Traditional	Back-to-Back Starter Strip	(1-1/4")	2BTSS.145
J-Track	Precision	Two Piece J-Track	(5/8") - 12'	1X1JT.145
J-Track	Precision	J-Track	(5/8") - 12'	1JT.145
J-Track	Craftsman	Two Piece J-Track	(7/8") - 12'	JT23S.145
J-Track	Traditional	Two Piece J-Track	(1-3/8") - 12'	1X2JT.145
Corner	Precision	Outside Corner	(3/16") - 12'	05OC.145
Corner	Craftsman	Inside Corner	(3/4") - 12'	1IC.145
Corner	Craftsman	Outside Corner	(1") - 12'	1OC.145
Corner	Traditional	Corner Set	(2") - 12'	2CORS.145
Reveal	Precision	Flat Reveal	(1/2") - 12'	1FR.145
Reveal	Precision	T&G Flat Reveal	(1/2") - 24'	1TGFR.289
Reveal	Craftsman	U-Reveal Set	(3/4") - 12'	1URS.145
Reveal	Craftsman	T&G U-Reveal	(3/4") - 24'	1TGURK.289
Reveal	Traditional	U-Reveal Set	(1-1/2") - 12'	2URS.145
Reveal	Traditional	Flat Reveal Set	(1-1/2") - 12'	2FRS.145
Reveal	Traditional	T&G U-Reveal	(1 1/2") - 24'	2TGURK.289
Reveal	Traditional	Offset Flat Reveal Set, J-Track Base	(2") - 12'	2OFFJ.145
Reveal	Traditional	Offset Flat Reveal Set, Termination Base	(2") - 12'	2OFFT.145
Termination	Precision	Termination Set	(5/8") - 12'	1TS.145
Termination	Craftsman	Termination Set	(7/8") - 12'	TS.145
Termination	Traditional	Termination Set	(1-3/8") - 12'	2TS.145
Compression Joints	Traditional	Compression Joint	(1-3/8") - 24'	2CJ.289



V-Groove Planks



Channel Planks



Smooth Planks



Perforated Planks



Precision Starter J-Track



Traditional Starter Strip



Traditional Back-to-Back Starter Strip



Precision Two-Piece J-Track



Precision J-Track



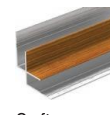
Traditional Two Piece J-Track



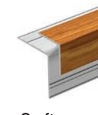
Traditional Two Piece J-Track



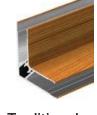
Precision Outside Corner



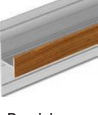
Craftsman Inside Corner



Craftsman Outside Corner



Traditional Corner Set



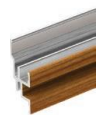
Precision Flat Reveal



Precision T&G Flat Reveal



Craftsman U-Reveal Set



Craftsman T&G U-Reveal



Traditional U-Reveal Set



Traditional Flat Reveal Set



Traditional T&G U-Reveal



Traditional Offset Flat Reveal Set, J-Track Base



Traditional Offset Flat Reveal Set, Termination Base



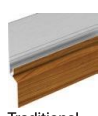
Precision Termination Set



Craftsman Termination Set



Traditional Termination Set



Traditional Compression Joint

* 48 sq. ft. box quantities † 96 sq. ft. box quantities

Link & Lock™ Battens

Size	12'	24'	End Caps (20/box)	End Mounts (20/box)
2"	2X2LL.145	2X2LL.289	2LLEC.2	2LLEM.2
4"	2X4LL.145	2X4LL.289	2LLEC.4	2LLEM.4
6"	2X6LL.145	2X6LL.289	2LLEC.6	2LLEM.6
8"	2X8LL.145	2X8LL.289	2LLEC.8	2LLEM.8

Mounting Accessories	Qty	SKU
Link & Lock Mounting Clip	48, bag	LLMC.N48
Dewalt® 1/2" Pilot Point Drill Bit	1	DRILLBT.05
24" Link & Lock Internal Stiffener	1	LLSTIFF.289
3M® Double Sided Adhesive Tape - 108'	1, roll	LLTAPE.1296



Link & Lock™
Batten

Privacy Screen System

Size	Product	24'	End Caps (20/box)
1x3"	Privacy Beam	1X3B.289	1BEC.3
1x5"	Privacy Beam	1X5B.289	1BEC.5
2x2"	Privacy Post	2X2SP.289	2X2PC.2
1x3"	Privacy Post	2X3DP.289	2X3PC.3

Mounting Accessories	Qty	SKU
1x3" & 1x5" Spacer Block	100, box	2X2SB.N100
1x3" & 1x5" Spacer Bar	1	1X2FB.145
1x3" Spacer Bar	100, box	1X2FB.1
1x5" Spacer Bar	100, box	1X2FB.3
3" Privacy Screen Mounting Bracket	100, box	3PSMB.1
#10 Black Screws	100, box	PECS.N100



Privacy Beam

Finishes

Woodgrain	15 Year Warranty	20 Year Warranty
Birchwood	15BWD	20BWD
Beechwood	15BEE	-
Blonde Oak	15BOK	-
Dark Acacia	15DAC	20DAC
Dark Antique Oak	15DOA	20DOA
Dark Bamboo	15DBB	20DBB
Dark Cherry	15DCY	20DCY
Dark Fir	15DFR	20DFR
Dark Knotty Pine	15DKP	20DKP
Dark National Walnut	15DNW	20DNW
Dark Walnut	15DWL	20DWL
Italian Rosewood	15IRW	20IRW
Light Bamboo	15LBB	20LBB
Light Cherry	15LCY	20LCY
Light Fir	15LFR	20LFR
Light National Walnut	15LNW	20LNW
Light Oak	15LOK	20LOK
National Mahogany	15NMH	20NMH
Southern Yellow Pine	15SYP	-
Table Walnut	15TWL	20TWL
Western Cedar	15WCD	20WCD
White Oak	15WOK	20WOK

Solid Color	15 Year Warranty	20 Year Warranty
Black	15BLA	20BLA
Bone White	15BWH	20BWH
Brick Red	15BRD	20BRD
Charcoal	15CHA	20CHA
Chili Pepper	15CHP	20CHP
Classic Bronze	15CBZ	20CBZ
Dark Brown	15DBR	20DBR
Graphite	15GRA	20GRA
Medium Blue	15MBL	20MBL
Slate Grey	15SGR	20SGR
Ultra White	15UWH	20UWH

Specialty	15 Year Warranty	20 Year Warranty
Anodic Ice	15AIC	20AIC
Biscotti	15BIS	20BIS
Burnt Sienna	15BSN	20BSN
Canyon Vista	15CVI	20CVI
Ceramic Clay	15CCL	20CCL
Copper Penny	15CPE	20CPE
Moonstone	15MOO	20MOO
Old Navy	15ONA	20ONA
Platinum Ice	15PIC	20PIC
Venus	15VEN	20VEN

Naturally Aged Metals	15 Year Warranty
Carbon Mist	15CMI
Molten	15MOL
Smokey Topaz	15STO
Toasted Mocha	15TMO

Example of complete product SKU

6V.289.15DFR
(Product.Length.Finish)

Finish Options

We help you achieve your vision. Whether you're looking to create a space that offers the warmth of natural woodgrain or a modern industrialized aged metal, we have a finish option for you.

Require a custom finish or color? Our experienced color matching team can make it a reality.

Special order finishes may require additional production lead time or pricing.

- Interior Only
- Special Order
- High Gloss Finish
- Shimmer Finish
- Low Gloss Finish
- Terracota Finish

Woodgrains



Dark Cherry



Light Cherry



Dark Fir



Light Fir



Dark National Walnut



Light National Walnut



Dark Walnut



Table Walnut



Western Cedar



Italian Rosewood



Dark Acacia



Dark Antique Oak



Dark Bamboo



Light Bamboo



Dark Knotty Pine



Light Oak



National Mahogany



White Oak



Weathered Gray



Blonde Oak



Southern Yellow Pine



Beechwood

Solid Colors



Black



Bone White



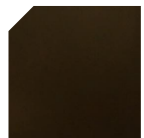
Brick Red



Graphite



Charcoal



Classic Bronze



Medium Blue



Slate Gray



Chili Pepper



Ultra White



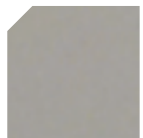
Ceramic Clay



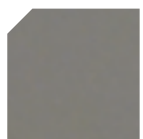
Moonstone



Platinum Ice



Anodic Ice



Venus



Old Navy

Naturally Aged Metals



Carbon Mist



Molten



Smokey Topaz



Toasted Mocha

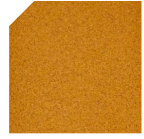
Others



Biscotti



Canyon Vista



Burnt Sienna



Copper Penny

Warranty granted to (company name):

Longboard Architectural Products Inc. ("Longboard," "The Company") products as identified by the Product Codes listed will conform to the standards set out in Clause 1 and Clause 2 of this Warranty, subject to the terms and conditions set out in Clause 3 and 4 of this Warranty.

Product codes: Product description:

Finish:	

Contractor/owner	
Project name	
Project address	
Address 2	Date of completion
Product on jobsite	

Clause 1

Extruded Aluminum Profile(s)

Longboard expressly warrants that its product line is free from manufacturing defects in material or workmanship.

- 1.1 When siding is applied according to Longboard instructions and properly maintained, such product is guaranteed against the following:
- 1.2 Buckling: The product itself will be free of any buckling that is not associated with the substrate and/or structure to which the Longboard system is attached. For the purpose of this warranty, buckling shall be defined as warping of the product(s) exceeding one sixteenth of an inch out of plane per linear foot.
- 1.3 Corrosion: When applied according to Longboard instructions and properly maintained, such product is further guaranteed against rusting and corroding. Subject to the limitations set out in Clause 3 and 4.
- 1.4 What we will do: If, during the fifteenth (15th) year Limited Warranty Period on the powder coating finish, the Product is defective in material or workmanship, Longboard will, in its sole discretion, either repair or replace the defective portion of the Product.
- 1.5 What we will do: If, during the 50-year Limited Warranty Period on the aluminum extruded profiles, the Product is defective in material or workmanship, Longboard will, in its sole discretion, either repair or replace the defective portion of the Product.
- 1.6 After the 15th year, this Limited Warranty on the powder coated finish will expire and shall no longer be applicable.
- 1.7 After the 50th year, this Limited Warranty on the aluminum extruded profile(s) will expire and shall no longer be applicable.
- 1.8 Longboard replacement of the defective Product or reimbursement of this Limited Warranty is the exclusive remedy for the Covered Person for any defect in materials or workmanship. The Company will not refund or pay any costs in connection with labor or accessory materials.

Clause 2

- 2.1 During the first fifteen (15) years of this warranty:
- 2.2 Checking/Cracking: No visible checking or cracking of the product finish on the building.
- 2.3 Chalking Resistance: No chalking of the product finish on the building in excess of that represented by No.6 rating based on ASTM D4214.
- 2.4 Color Retention: No color change of the product finish on the building greater than 5 (five) CIE Lab ΔE units calculated in accordance with ASTM 2244 Section 6.3. Color change shall be measured on the exposed paint surface which has been cleaned of oil, grease, chalk, oxidized film or other contaminants, corresponding values shall be measured on the control panel.
- 2.5 Gloss Retention: Coated surface will exhibit gloss retention

of a minimum of 30% of the original. Gloss retention shall be measured on the exposed paint surface which has been cleaned of oil, grease, chalk, oxidized film or other contaminants, corresponding values shall be measured on the control panel.

- 2.6 Adhesion: Adhesion of product finish when initially applied to test panels and measured by reference to AAMA 2604-02 Clause 7.4.2 will show no removal of the film.

Clause 3

- 3.1 Warranty Terms and Conditions:
- 3.2 The "Warranty Period" for the warranties in Clause 1 shall mean fifty (50) years or for as long as the original "owner" and/or "purchaser" named above shall live and own the property on which the material was originally installed.
- 3.3 Clause 3: Shall mean fifteen (15) years, commencing on the date of completion.
- 3.4 Registration of the product is required for the warranty to be in effect. This warranty is valid for the original purchaser and one other owner of the structure where the product(s) have been installed.
- 3.7 Normal atmospheric conditions exclude corrosive or aggressive atmospheres such as those contaminated with chemical fumes or other corrosive elements. The product finish is not meant for marine use on boats, ships or offshore platforms.

Clause 4

- 4.1 This warranty will not extend or cover:
- 4.2 Damages to the coated metal caused by handling, shipping, processing and/or installation; or
- 4.3 Damages to the coated metal caused by scratching or abrading after installation; or
- 4.4 Damages to the coated metal as a result of standing water in horizontal installations.
- 4.5 The warranty will not be applicable to damage or failure, which is caused by acts of God, falling objects, external forces, explosions, fire, riots, civil commotion's, acts of war, or other such similar or dissimilar occurrences beyond The Company's control.
- 4.6 Customer shall make available to The Company the dates of the installation of the coated metal, the maintenance records including details of washing and cleaning procedures in compliance with the annual cleaning requirements as stated in the Required Maintenance section of this warranty. Customers shall demonstrate that the failure of the coated metal was due to a breach of the warranty stated herein.
- 4.7 Claims must be made in writing to Longboard within 30 days of the discovery of a problem and authorization obtained prior to beginning any repair and/or refinishing work. The claimant must provide proof of coverage. Claims can be made by writing to Longboard at the Product Performance Department. After receiving such notice, The Company

must be given a reasonable opportunity to inspect and verify the claim.

- 4.8 Longboard exclusive liability under this warranty, or otherwise, will be limited to refinishing and/or repairing, at The Company's sole discretion, the defective powder coating. The warranty on any refinished, repaired or replaced coated metal supplied hereunder shall be for the remainder of the warranty period applicable to the originally coated metal. All warranty work will be performed by a company or contractor selected by Longboard. Color variance between refinished and/or repainted product and original shall not be indicative of a defect.
- 4.9 This warranty represents the entire agreement between parties in relation to its subject matter and supersedes any previous agreement whether written or oral between the parties in relation to its subject matter. The limited warranties state the entire liability of Longboard with respect to the products covered by them. The Company shall have no liability for any incidental or consequential damages. No person is authorized to make any representation or warranty on behalf of Longboard except as expressly set forth above, and any such statement shall not be binding on The Company. Except as expressly set forth above, Longboard makes no warranty of any kind, express or implied, including, without limitation, any implied warranty of merchantability or fitness for a particular purpose. Warranties shall be the duration of the limited warranty, or such shorter duration as provided under applicable local law. These limited warranties give you specific legal rights, and you may also have other rights which vary from area to area.
- 4.91 Nothing in this warranty shall be construed as a warranty of the workmanship of any installer or as imposing on Longboard any liability for unsatisfactory performance caused by faulty workmanship in installation.
- 4.92 It's agreed all parties involved that all claims and disputes relating to this agreement that cannot be settled through negotiation will try in good faith to first settle the dispute by mediation administered by the American Arbitration Association (Construction Industry Mediation Procedures) as a prelude to mandatory binding arbitration. Such binding arbitration is to be conducted and administered by the Construction Industry Arbitration Rules of the American Arbitration Association. Both seller and purchaser agree to share equally in the costs of both mediation and arbitration and that such binding arbitration will be the sole and final remedial action.
- 4.93 Required Maintenance. On an annual basis use a soft sponge or cloth, water and mild detergent, non-abrasive soap with the pH range of 5-9 to clean the powder coated area of dirt, grime and other debris. Pressure washing and the use of harsh detergents or chemicals is not recommended. Include in your maintenance records the following: date, time, specific products used, name of maintenance person and their designation, maintenance company name and general condition of the powder coated finish.

I have read and agree to the terms of the Longboard® Product 15 year powder coated surface and 50 year aluminum extruded profile(s) warranty and acknowledge receipt of a copy of the Warranty Certificate.

Name of owner or contractor:

Date:

Signature:



Duly authorized on behalf of Longboard:

Name and designation:

Date:

Signature:

Warranty granted to (company name):

Longboard Architectural Products Inc. ("Longboard," "The Company") products as identified by the Product Codes listed will conform to the standards set out in Clause 1 and Clause 2 of this Warranty, subject to the terms and conditions set out in Clause 3 and 4 of this Warranty.

Product codes: Product description:

<input type="text"/>	<input type="text"/>
<input type="text"/>	<input type="text"/>
<input type="text"/>	<input type="text"/>
Finish:	<input type="text"/>

<input type="text"/>	
<input type="text"/>	
<input type="text"/>	
<input type="text"/>	<input type="text"/>
<input type="text"/>	

Clause 1

Extruded Aluminum Profile(s)

Longboard expressly warrants that its product line is free from manufacturing defects in material or workmanship.

- 1.1 When siding is applied according to Longboard instructions and properly maintained, such product is guaranteed against the following:
- 1.2 Buckling: The product itself will be free of any buckling that is not associated with the substrate and/or structure to which the Longboard system is attached. For the purpose of this warranty, buckling shall be defined as warping of the product(s) exceeding one sixteenth of an inch out of plane per linear foot.
- 1.3 Corrosion: When applied according to Longboard instructions and properly maintained, such product is further guaranteed against rusting and corroding. Subject to the limitations set out in Clause 3 and 4.
- 1.4 What we will do: If, during the twenty (20) year Limited Warranty Period on the powder coating finish, the Product is defective in material or workmanship, Longboard will, in its sole discretion, either repair or replace the defective portion of the Product.
- 1.5 What we will do: If, during the 50-year Limited Warranty Period on the aluminum extruded profiles, the Product is defective in material or workmanship, Longboard will, in its sole discretion, either repair or replace the defective portion of the Product.
- 1.6 After the 20th year, this Limited Warranty on the powder coated finish will expire and shall no longer be applicable.
- 1.7 After the 50th year, this Limited Warranty on the aluminum extruded profile(s) will expire and shall no longer be applicable.
- 1.8 Longboard replacement of the defective Product or reimbursement of this Limited Warranty is the exclusive remedy for the Covered Person for any defect in materials or workmanship. The Company will not refund or pay any costs in connection with labor or accessory materials.

Clause 2

- 2.1 During the first twenty (20) years of this warranty:
- 2.2 Checking/Cracking: No visible checking or cracking of the product finish on the building.
- 2.3 Chalking Resistance: No chalking of the product finish on the building in excess of that represented by No.8 rating based on ASTM D4214.
- 2.4 Color Retention: No color change of the product finish on the building greater than 5 (five) CIE Lab ΔE units calculated in accordance with ASTM 2244 Section 6.3. Color change shall be measured on the exposed paint surface which has been cleaned of oil, grease, chalk, oxidized film or other contaminants, corresponding values shall be measured on the control panel.
- 2.5 Gloss Retention: Coated surface will exhibit gloss retention

of a minimum of 30% of the original. Gloss retention shall be measured on the exposed paint surface which has been cleaned of oil, grease, chalk, oxidized film or other contaminants, corresponding values shall be measured on the control panel.

- 2.6 Adhesion: Adhesion of product finish when initially applied to test panels and measured by reference to AAMA 2604-02 Clause 7.4.2 will show no removal of the film.

Clause 3

- 3.1 Warranty Terms and Conditions:
- 3.2 The "Warranty Period" for the warranties in Clause 1 shall mean fifty (50) years or for as long as the original "owner" and/or "purchaser" named above shall live and own the property on which the material was originally installed.
- 3.3 Clause 3: Shall mean twenty (20) years, commencing on the date of completion.
- 3.4 Registration of the product is required for the warranty to be in effect. This warranty is valid for the original purchaser and one other owner of the structure where the product(s) have been installed.
- 3.7 Normal atmospheric conditions exclude corrosive or aggressive atmospheres such as those contaminated with chemical fumes or other corrosive elements. The Aluminate Ultra finish is not meant for marine use on boats, ships or offshore platforms.

Clause 4

- 4.1 This warranty will not extend or cover:
- 4.2 Damages to the coated metal caused by handling, shipping, processing and/or installation; or
- 4.3 Damages to the coated metal caused by scratching or abrading after installation; or
- 4.4 Damages to the coated metal as a result of standing water in horizontal installations.
- 4.5 The warranty will not be applicable to damage or failure, which is caused by acts of God, falling objects, external forces, explosions, fire, riots, civil commotion's, acts of war, or other such similar or dissimilar occurrences beyond The Company's control.
- 4.6 Customer shall make available to The Company the dates of the installation of the coated metal, the maintenance records including details of washing and cleaning procedures in compliance with the annual cleaning requirements as stated in the Required Maintenance section of this warranty. Customers shall demonstrate that the failure of the coated metal was due to a breach of the warranty stated herein.
- 4.7 Claims must be made in writing to Longboard within 30 days of the discovery of a problem and authorization obtained prior to beginning any repair and/or refinishing work. The claimant must provide proof of coverage. Claims can be made by writing to Longboard at the Product Performance Department. After receiving such notice, The Company

must be given a reasonable opportunity to inspect and verify the claim.

- 4.8 Longboard exclusive liability under this warranty, or otherwise, will be limited to refinishing and/or repairing, at The Company's sole discretion, the defective powder coating. The warranty on any refinished, repaired or replaced coated metal supplied hereunder shall be for the remainder of the warranty period applicable to the originally coated metal. All warranty work will be performed by a company or contractor selected by Longboard. Color variance between refinished and/or repainted product and original shall not be indicative of a defect.
- 4.9 This warranty represents the entire agreement between parties in relation to its subject matter and supersedes any previous agreement whether written or oral between the parties in relation to its subject matter. The limited warranties state the entire liability of Longboard with respect to the products covered by them. The Company shall have no liability for any incidental or consequential damages. No person is authorized to make any representation or warranty on behalf of Longboard except as expressly set forth above, and any such statement shall not be binding on The Company. Except as expressly set forth above, Longboard makes no warranty of any kind, express or implied, including, without limitation, any implied warranty of merchantability or fitness for a particular purpose. Warranties shall be the duration of the limited warranty, or such shorter duration as provided under applicable local law. These limited warranties give you specific legal rights, and you may also have other rights which vary from area to area.
- 4.91 Nothing in this warranty shall be construed as a warranty of the workmanship of any installer or as imposing on Longboard any liability for unsatisfactory performance caused by faulty workmanship in installation.
- 4.92 It's agreed all parties involved that all claims and disputes relating to this agreement that cannot be settled through negotiation will try in good faith to first settle the dispute by mediation administered by the American Arbitration Association (Construction Industry Mediation Procedures) as a prelude to mandatory binding arbitration. Such binding arbitration is to be conducted and administered by the Construction Industry Arbitration Rules of the American Arbitration Association. Both seller and purchaser agree to share equally in the costs of both mediation and arbitration and that such binding arbitration will be the sole and final remedial action.
- 4.93 Required Maintenance. On an annual basis use a soft sponge or cloth, water and mild detergent, non-abrasive soap with the pH range of 5-9 to clean the powder coated area of dirt, grime and other debris. Pressure washing and the use of harsh detergents or chemicals is not recommended. Include in your maintenance records the following: date, time, specific products used, name of maintenance person and their designation, maintenance company name and general condition of the powder coated finish.

I have read and agree to the terms of the Longboard® Product 20 year powder coated surface and 50 year aluminum extruded profile(s) warranty and acknowledge receipt of a copy of the Warranty Certificate.

Name of owner or contractor:

Date:

Signature:



Duly authorized on behalf of Longboard:

Name and designation:

Date:

Signature: